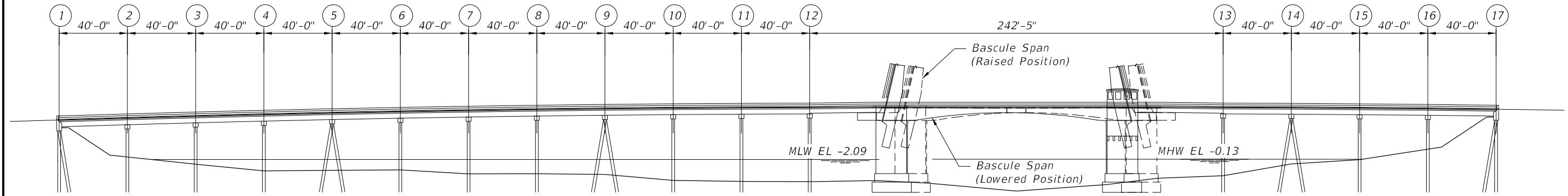


PLAN

LEGEND:

- Exist. Sq. Prestressed Conc. Pile (18" Sq. Bascule Piers, 20" Sq. Intermediate Piers)
- Exist. 24" Sq. Prestressed Conc. Pile (Existing Observation Deck)
- Existing Timber Pile (Original Bridge)
- Denotes Approximate Soil Boring Locations
- Denotes Existing Pile Batter Direction
- 30" Square Prestressed Concrete Test Pile



ELEVATION

Exhibit C, Plan Sheets, Page C-1 of 2

REVISIONS						STEVE WINSTON HEDGE, P.E. P.E. LICENSE NUMBER 84932 HARDESTY & HANOVER, LLC 1000 SAWGRASS CORPORATE PARKWAY SUITE 544 SUNRISE, FLORIDA 33323	DRAWN BY: SH 10/20 CHECKED BY: GP 10/20 DESIGNED BY: GP 10/20 CHECKED BY: SH 10/20	STATE OF FLORIDA DEPARTMENT OF TRANSPORTATION			SHEET TITLE:  TEST PILE LOCATION	REF. DWG. NO.
DATE	BY	DESCRIPTION	DATE	BY	DESCRIPTION			ROAD NO.	COUNTY	FINANCIAL PROJECT ID		
							SR 5	PALM BEACH	428400-2-52-01	SR 5/US-1 FEDERAL HIGHWAY FROM CR-A1A TO BEACH ROAD OVER LOXAHATCHEE RIVER	1	

THE OFFICIAL RECORD OF THIS SHEET IS THE ELECTRONIC FILE DIGITALLY SIGNED AND SEALED UNDER RULE 61G15-23.004, F.A.C.

