

INVITATION TO BID

PROPOSALS ARE REQUESTED FROM QUALIFIED, LICENSED COMPANIES BY THE:
State of Florida, Department of Military Affairs

LOCATION OF WORK: USPFO, 189 Marine St. Saint Augustine Florida 32086.

SCOPE OF WORK: Provide all labor, supervision, materials, equipment, and transportation necessary to provide a 28 ft. x 18 ft. x 6 in. concrete slab elevated to ~8" above existing grade with the following specification:

- Slab to be elevated by placing a two course stem wall of 16 in. x 8 in. x 8 in. Concrete Masonry Unit (CMU) on a 12 in. x 20 in. footing.
- Footing to be reinforced with two (2) continuous #5 steel rebar.
- Slab to be reinforced with 6x6 10/10 WWM.
- Soil to be compacted.
- Moisture barrier sheet to be placed over soil with seams overlapped and taped.
- Soil treatment not required.
- Imported soil (if required) to be clean fill, free of debris and organics.
- Slab to be float finished.
- Finish floor slab height to be a minimum 8 in. above grade,
- Slope grade from stem wall for proper drainage.
- Provide a 6 ft. x 4 ft. x 6 in. concrete apron/ramp.
- Permit not required.

CONTRACT DURATION: Forty Five (45) days.

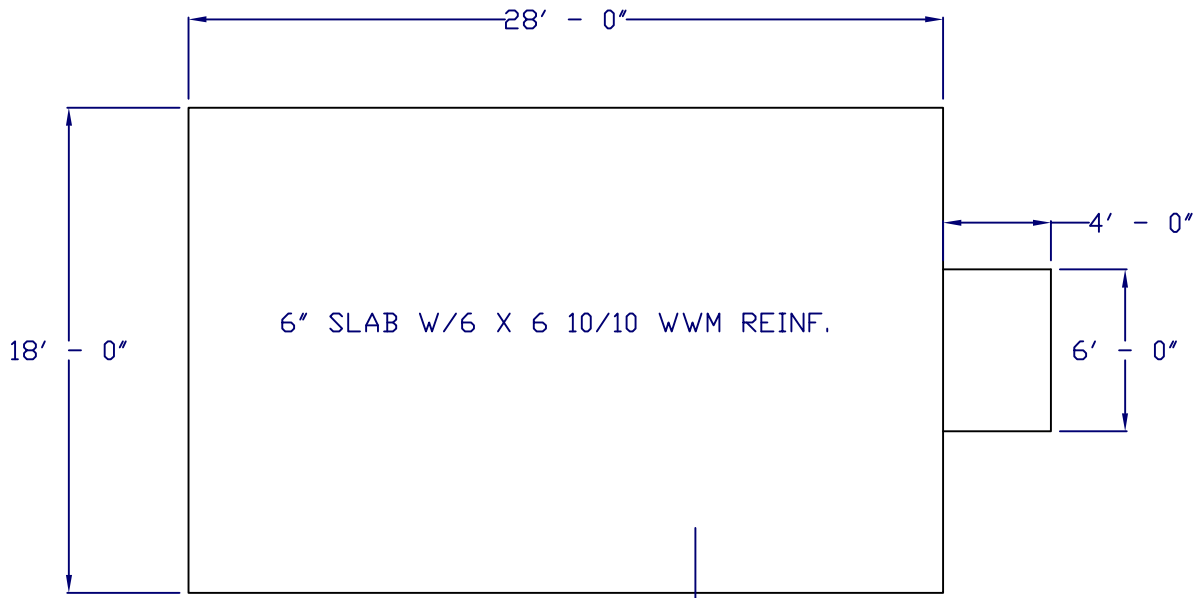
SITE VISIT, SITE EXAMINATION AND CONDITIONS: A site visit is highly recommended and may be arranged by contacting Mr. Frank DuPont at (904) 823-0288. Arrangements must be coordinated 24 hours in advance prior to the visit.

Examine the site, and inform self of conditions under which the work is to be done before submitting the proposal. No allowance will be made for extra expense on the account of submitter's error.

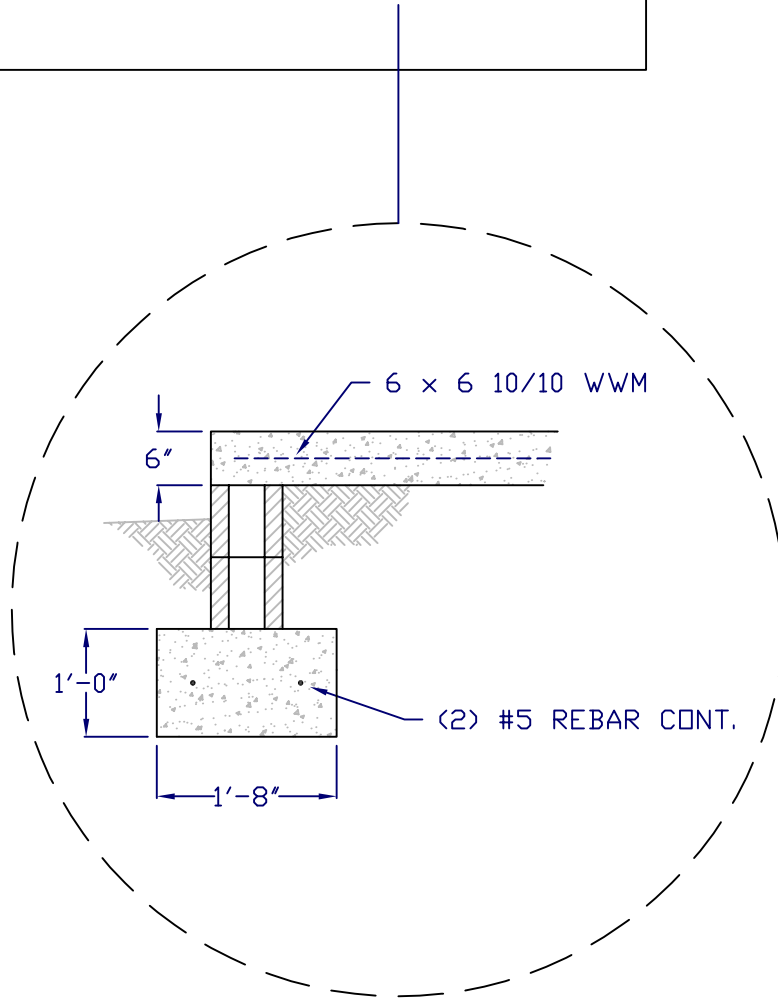
Information shown relative to existing locations is based upon available records and data but shall be regarded as approximate only. Make minor deviations as necessary to conform with actual locations and conditions without extra cost.

BID: Submit proposals via email to john.j.eckert4.civ@mail.mil

BID DUE DATE: Bids will be accepted until 4:00 PM 22 June 2018.



PLAN VIEW



DETAIL

- | | |
|-------------------------|--|
| CONCRETE: | DESIGN AND CONSTRUCTION PER A.C.I. 318-83
COMPRESSIVE STRENGTH @ 28 DAYS 2500 PSI |
| REINFORCING STEEL: | ASTM A-165 GRADE 60 |
| WELDED WIRE FABRIC: | ASTM A-185 |
| CONCRETE MASONRY UNITS: | ASTM-C-90, MORTAR SHALL BE TYPE M OR S |