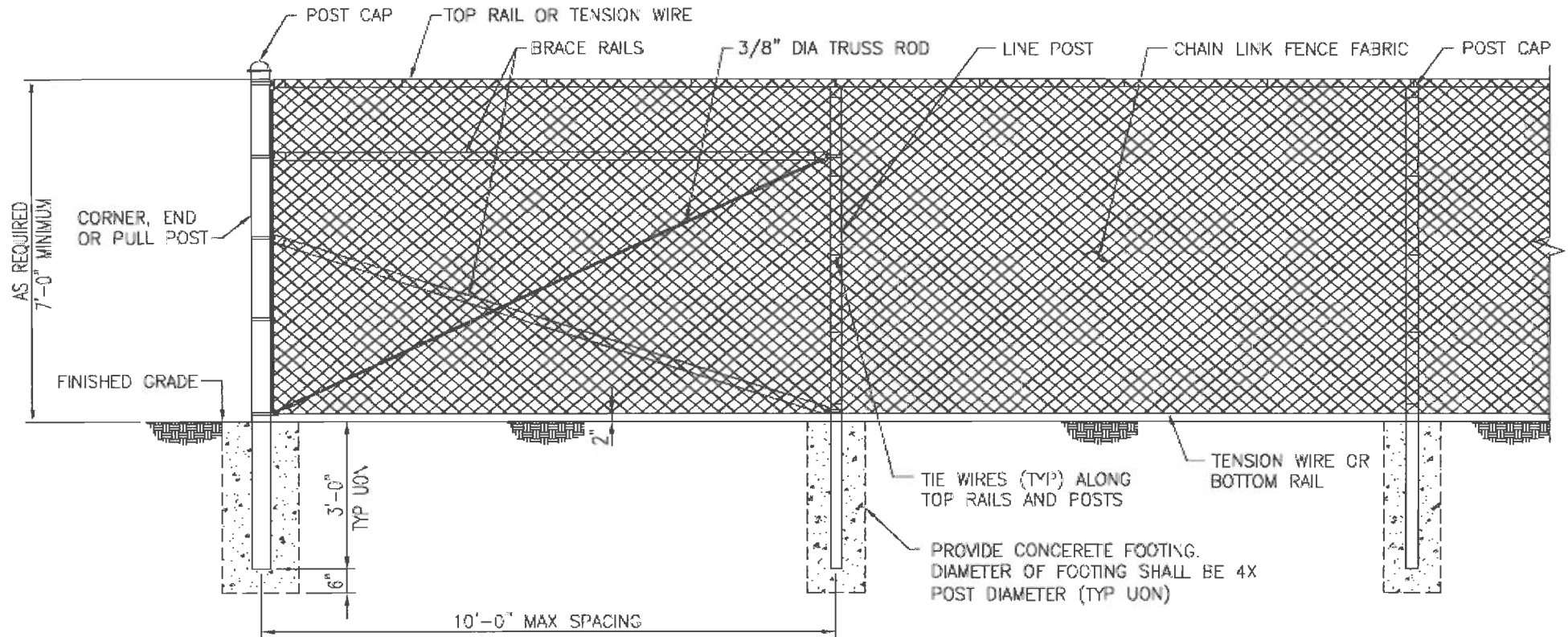
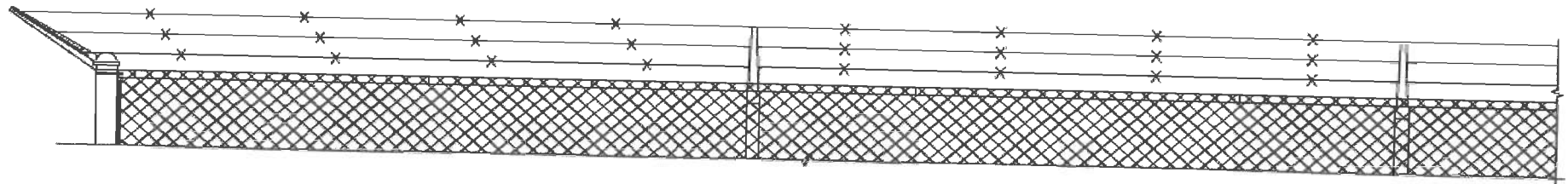


CHAIN-LINK FENCING AND DETAILS, UFC-700



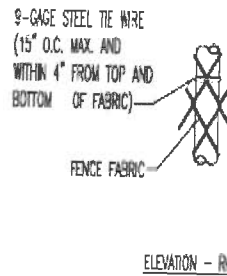
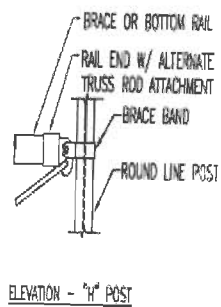
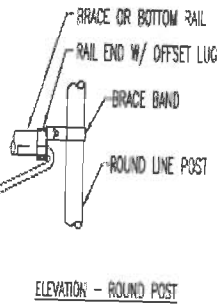
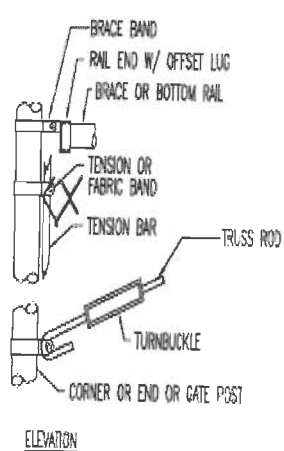
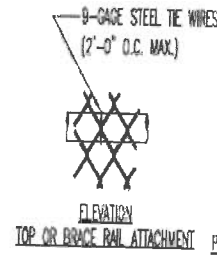
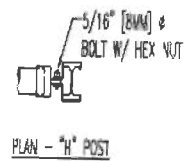
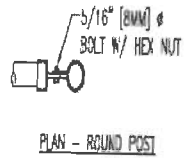
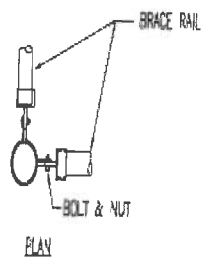
TYPICAL FENCE AND CORNER PANEL ELEVATION

SCALE: 1" = 1'-0"

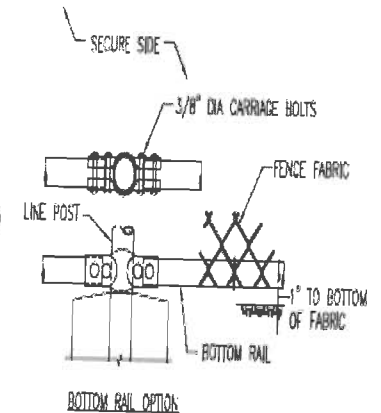
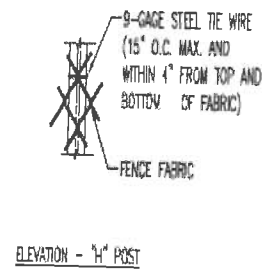


TYPICAL 3 STRAND BARBED WIRE AND SINGLE EXTENSION ARM CONFIGURATION

SCALE: 1" = 1'-0"



FITTINGS NOTES
 1. METRIC DIMENSIONS ARE NOMINAL EQUIVALENTS TO U.S. DIMENSIONS.
 2. ALL FITTINGS MATERIAL SHALL BE AS SPECIFIED.



LINE POST DETAILS

SCALE: 1 1/2" = 1'-0"

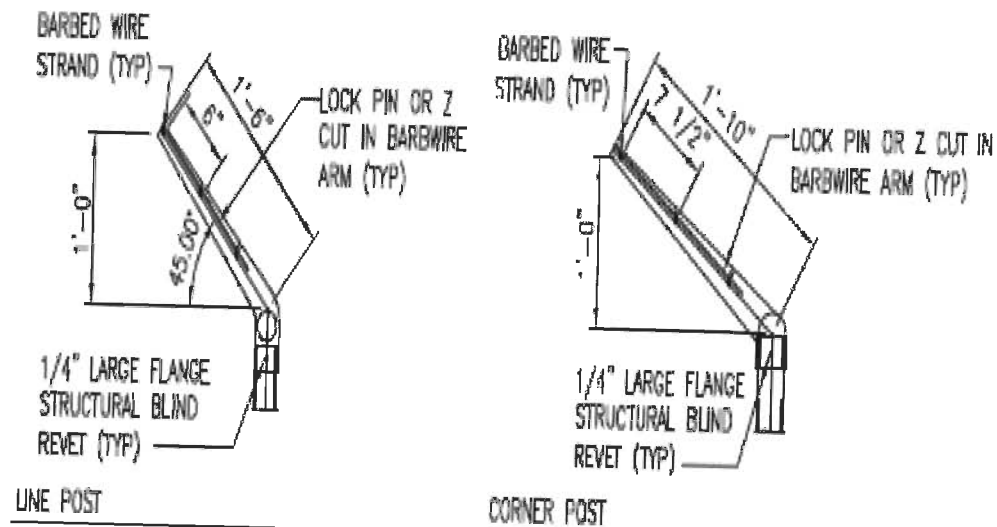
CORNER OR END POSTS

SCALE: 1 1/2" = 1'-0"

GRAPHIC SCALES

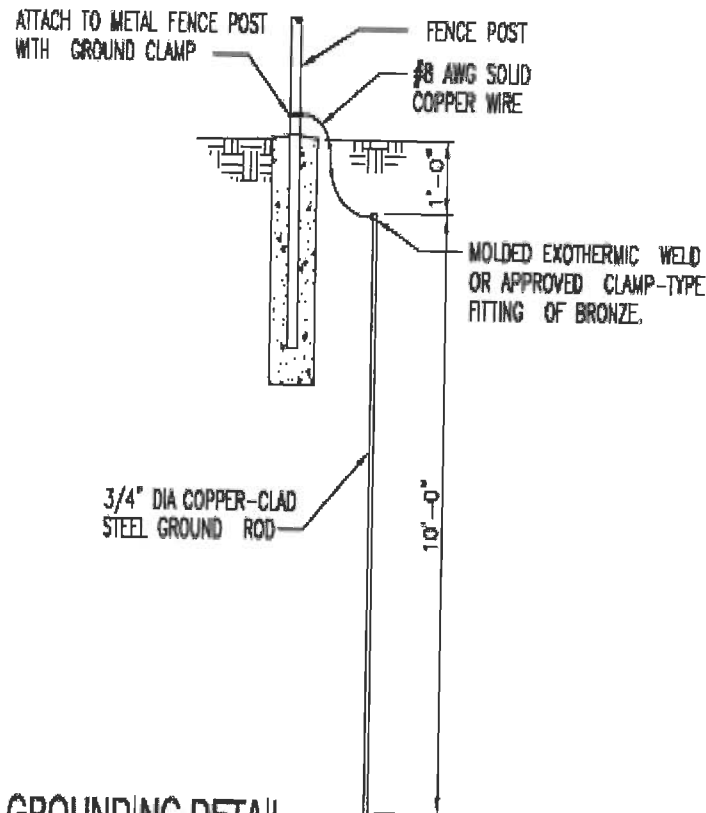


BARBED WIRE/ARRANGEMENT DETAILS, UFC-701



SINGLE EXTENSION ARM DETAILS

SCALE: 1" = 1'-0"



GROUNDING DETAIL

NO SCALE

CHAIN LINK FENCING NOTES

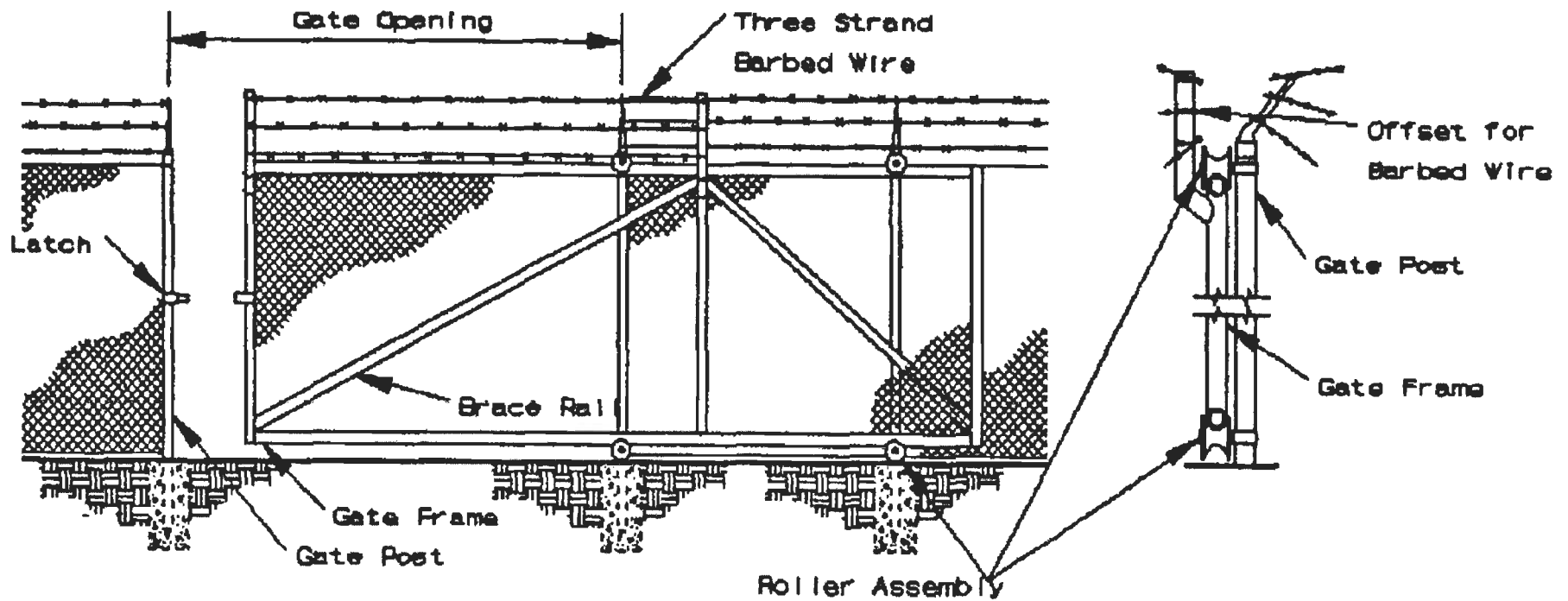
1. **FABRIC:** THE STANDARD FENCE FABRIC SHALL BE VINYL, ZINC OR ALUMINUM-COATED STEEL WIRE CHAIN LINK WITH MESH OPENINGS NOT LARGER THAN TWO INCHES PER SIDE AND A TWISTED AND BARBED SELVAGE AT TOP AND BOTTOM IN ACCORDANCE WITH THE SPECIFICATIONS. UTILIZE 6-GAUGE FOR BASE PERIMETER OR HEIGHTENED SECURITY ZONES AND 9-GAUGE FOR BASE INTERIOR OR WHEN JOINING AN EXISTING FENCE WHICH IS ALREADY 9-GAUGE.
2. **FABRIC TIES:** ONLY 12-GAUGE STEEL TIES SHALL BE USED. COATING OR PLATING WILL BE ELECTROLYTICALLY COMPATIBLE WITH THE FENCE FABRIC TO INHIBIT CORROSION.
3. **REINFORCEMENT:** TENSION WIRES SHALL BE INSTALLED AND INTERWOVEN (OR AFFIXED WITH FABRIC TIES) ALONG THE TOP & BOTTOM OF THE FENCE FOR STABILIZATION OF THE FENCE FABRIC.
4. **FENCE HEIGHT:** CHAIN LINK FABRIC SHALL BE 7' HIGH WITH AN ADDITIONAL 1' IN HEIGHT COMPOSED OF 3 STRANDS OF BARBED WIRE AS REQUIRED. THE TOTAL FENCE HEIGHT SHALL BE 8'.
5. **GROUND CLEARANCE:** BOTTOM OF THE FENCE FABRIC SHALL BE WITHIN TWO INCHES OF FIRM SOIL.
6. **TOP GUARDS:** A TOP GUARD IS AN OVERHANG OF BARBED WIRED ALONG THE TOP OF A FENCE, FACING OUTWARD (AWAY FROM PROTECTED SITE) AND UPWARD AT APPROX. 45° ANGLE. TOP GUARD SUPPORTING ARMS WILL BE PERMANENTLY AFFIXED TO THE TOP OF FENCE POSTS TO INCREASE THE OVERALL HEIGHT OF THE FENCE AT LEAST 1 FOOT. THREE STRANDS OF 12-GAUGE BARBED WIRE, EQUALLY SPACED, SHALL BE INSTALLED ON THE SUPPORTING ARMS.
7. **FENCE POSTS:** SHALL BE ASTM F1043 OR F1083 ROUND PIPE OR SQUARE TUBE AND SHALL BE GALVANIZED IN ACCORDANCE WITH THE SPECIFICATIONS. FENCE POST SPACING AND SIZE (DIAMETER) SHALL BE DETERMINED IN ACCORDANCE WITH CHAIN LINK FENCE MANUFACTURERS' INSTITUTE (WLC 2445). SPACING SHALL NOT EXCEED 10'-0" OC. SIZE (DIAMETER) SHALL NOT BE LESS THAN THAT SPECIFIED.

GRAPHIC SCALES



CANTILEVER SLIDING GATE, UFC-703

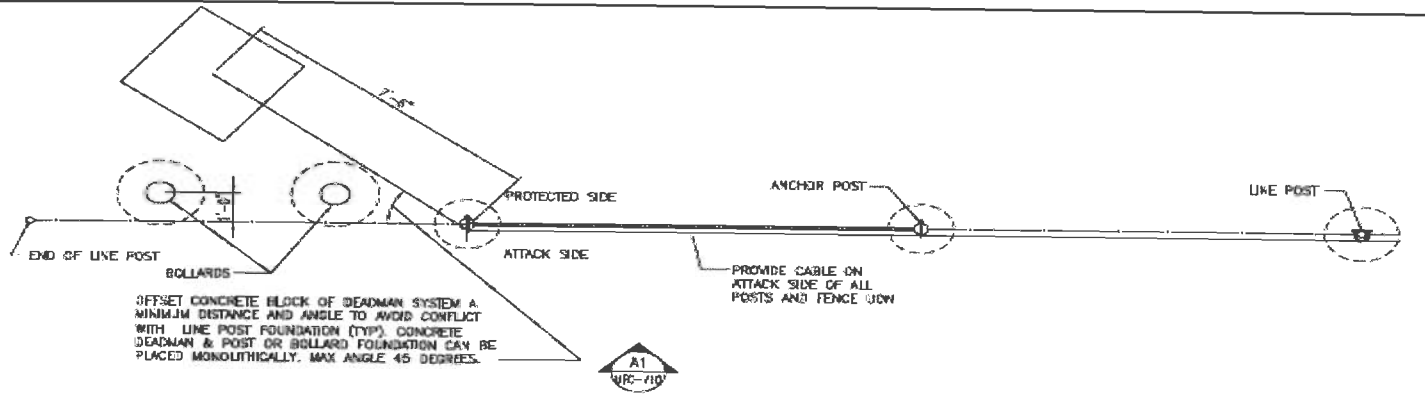
CANTILEVER SLIDING GATE (continued), UFC-703



GATE POST FOUNDATIONS

Steel Post Diameter	Foundation Hole Diameter	Gate Leaf Length
2.875 in (73 mm)	18 in (450 mm)	0 - 6 ft (0 - 1.8 m)
4.000 in (101.6 mm)	24 in (609.6 mm)	6 - 12 ft (1.8 - 3.7 m)
6.625 in (168.3 mm)	36 in (914.4 mm)	12 - 18 ft (3.7 - 5.5 m)
8.625 in (219 mm)	40 in (1016 mm)	18 - 24 ft (5.5 - 7.3 m)

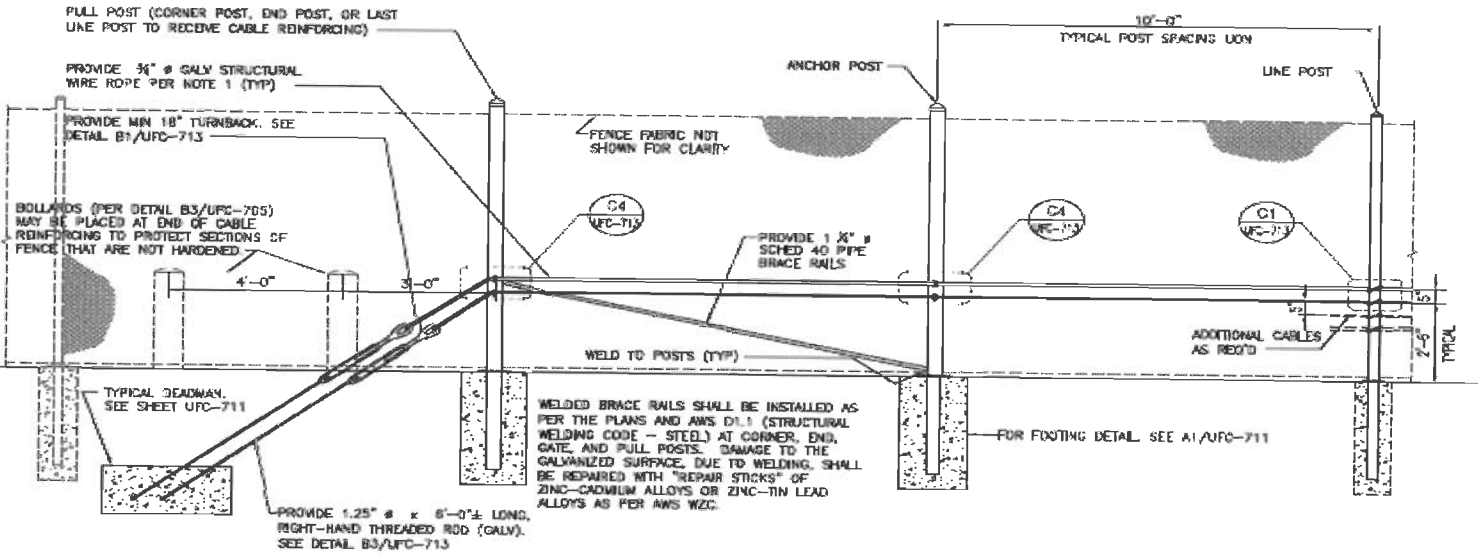
CABLE REINFORCED CHAIN-LINK FENCE DETAILS (ANTI-RAMMING CABLES) UFC-710



TYPICAL PLAN OF END POST DEADMAN AND LINE POST LAYOUT

SCALE: 1/2" = 1'-0"

NOTE: FOR RETROFITTING OF EXIST. CLF, CABLE CAN BE PLACED ON THE ATTACK SIDE OF THE FENCE FABRIC. FOR NEW CONSTRUCTION, CABLE SHALL BE INSTALLED ON ATTACK SIDE OF POST, BETWEEN POST AND FABRIC.



TYPICAL ELEVATION OF END POST DEADMAN AND LINE POST LAYOUT

SCALE: 1/2" = 1'-0"

C1
CIVL DWGS UFC-710

A1
UFC-710 UFC-710

LAYOUT OF REINFORCING

DESIGNER OF RECORD TO LOCATE DEADMEN ON SITE PLANS, SATISFYING SPACING CRITERIA, OVERLAPS, AND FENCE CORNERS / TURNING POINTS. AT GATES IT IS DESIRABLE TO HAVE TRAFFIC ON EITHER SIDE OF A MEDIAN TO OPERATE AND PROTECT INDEPENDENTLY (NOT UTILIZING THE SAME DEADMAN SYSTEMS). THEREFORE DEADMEN SHOULD BE PLACED IN THE MEDIAN TO ANCHOR THE GATE REINFORCING FOR EACH SIDE OF THE ROAD. IF THERE IS NO PHYSICAL MEDIAN (MERELY PAINTED LINES), LIMITED ROOM, OR UTILITY CONFLICTS THAT DO NOT ALLOW FOR DEADMEN PLACEMENT BETWEEN THE GATES, ENSURE THAT THE CABLING FOR BOTH GATES ARE CONNECTED— EITHER DIRECTLY OR VIA AN INTERMEDIATE CABLE WHICH CREATES AN INTEGRAL CABLE SYSTEM ACROSS THE ENTIRE GATE AREA.

MODIFICATIONS TO TYPICAL DESIGN

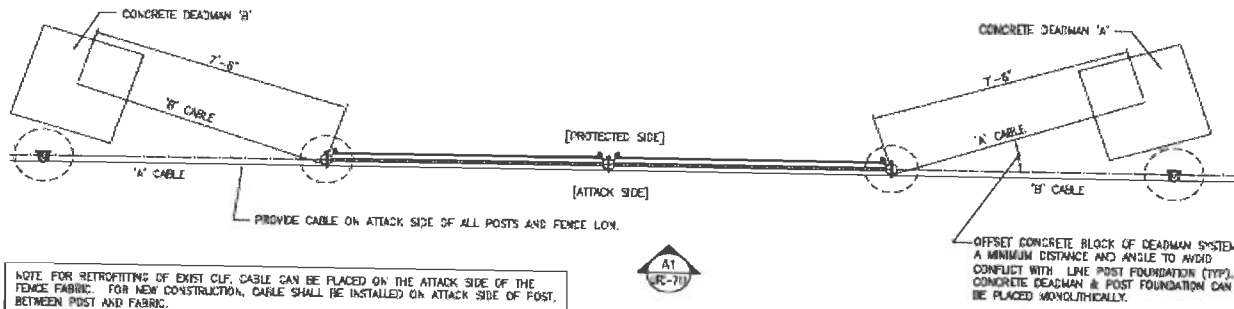
NOTE FOR CONTRACTOR: IF LARGER DESIGN THREATS OR CUSTOMER REQUESTS INDICATE A NEED FOR GREATER SECURITY, MORE 3/4" # CABLES CAN BE UTILIZED OR THE CABLES CAN BE UPGRADED TO 1" #. BOTH SCENARIOS REQUIRE THE DEADMAN (WHICH WILL NEED TO BE LARGER) TO BE DESIGNED BY A PROFESSIONAL ENGINEER TO SATISFY THE CRITERIA OUTLINED IN REINF NOTE 18 ON THIS SHEET. FOR BIDDING PURPOSES, ESTABLISH A UNIT COST FOR ADDITIONAL EXCAVATION AND NEW CONCRETE PER CUBIC FOOT.

IF 1" # CABLE IS USED, SPECIFICATIONS SHALL MATCH REINF NOTE 1 ON THIS SHEET, EXCEPT THE CABLE SHALL HAVE A MINIMUM BREAKING STRENGTH OF 70,000 POUNDS (35 TONS). OTHER COMPONENTS, SUCH AS EYEBOLTS, U-BOLTS, ROPE CLIPS, THIMBLES, AND OTHER ASSOCIATED HARDWARE SHALL BE SIZED ACCORDINGLY.

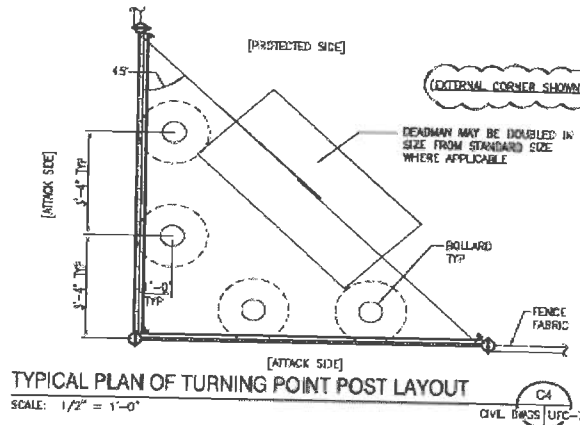
GRAPHIC SCALES



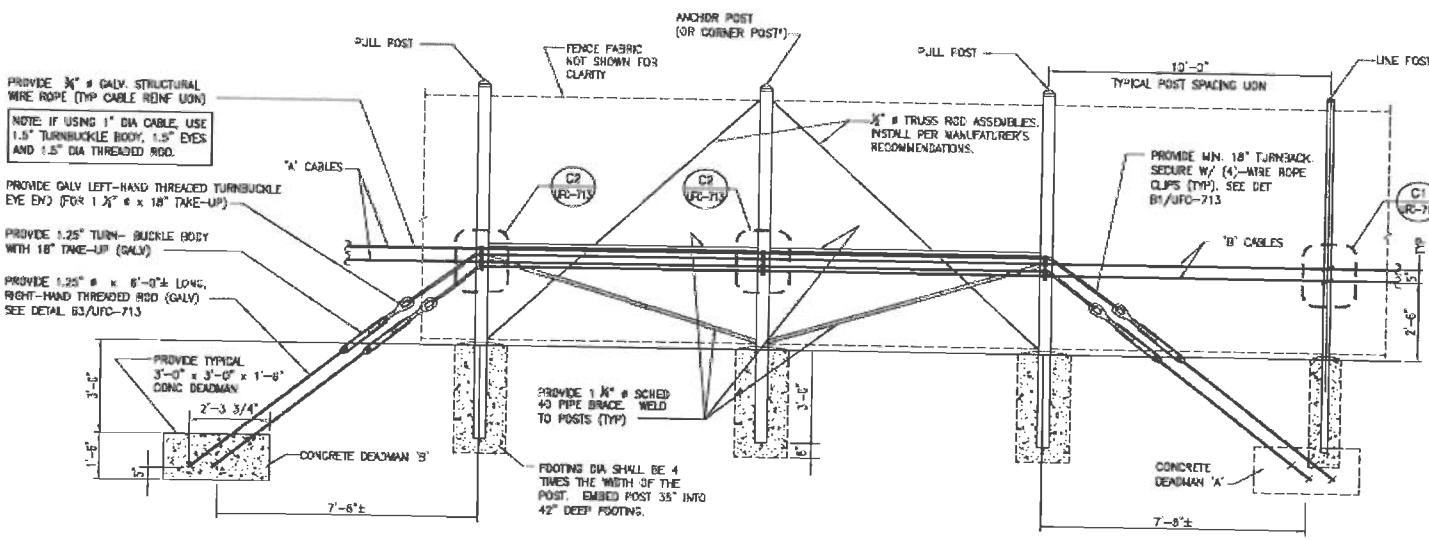
TYPICAL CABLE REINF CHAIN-LINK FENCE –DEADMAN AND LINE POST (ANTI-RAMMING CABLES), UFC-711



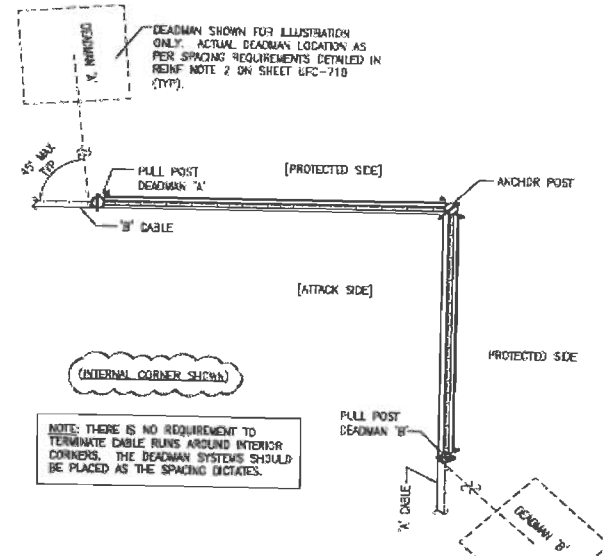
TYPICAL PLAN OF DEADMAN AND LINE POST LAYOUT
SCALE: 1/2" = 1'-0"



TYPICAL PLAN OF TURNING POINT POST LAYOUT
SCALE: 1/2" = 1'-0"



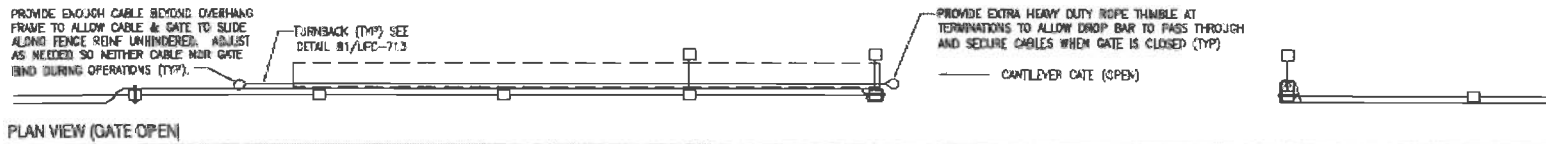
TYPICAL ELEVATION OF DEADMAN AND LINE POST LAYOUT
SCALE: 1/2" = 1'-0"



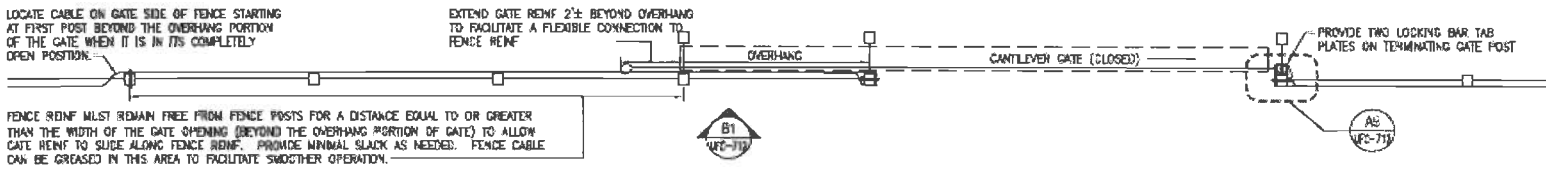
TYPICAL PLAN OF TURNING POINT POST LAYOUT
SCALE: NOT TO SCALE

GRAPHIC SCALES	
1/2" = 1'-0"	0 1' 2' 4'

TYPICAL CABLE REINF CHAIN-LINK FENCE –GATES (ANTI-RAMMING CABLES), UFC-712

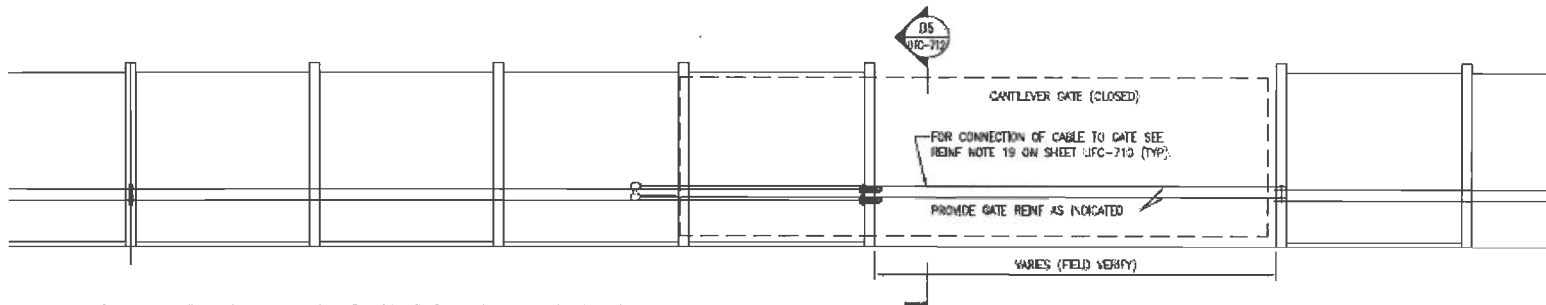


PLAN VIEW (GATE OPEN)



PLAN VIEW (GATE CLOSED)

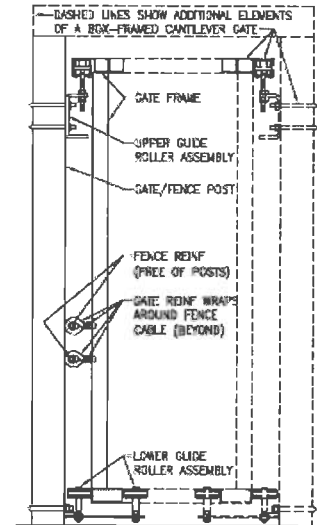
SCALE: 1/2" = 1'-0"



ELEVATION - TYPICAL CABLE REINFORCING CANTILEVER SLIDE GATE

SCALE: 1/2" = 1'-0"

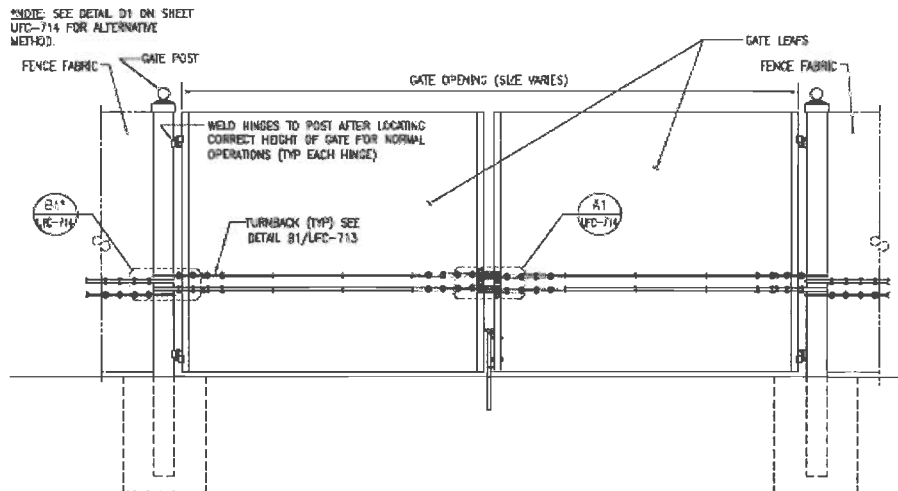
B1 UFC-712 UFC-712



GATE SECTION

SCALE: 1/2" = 1'-0"

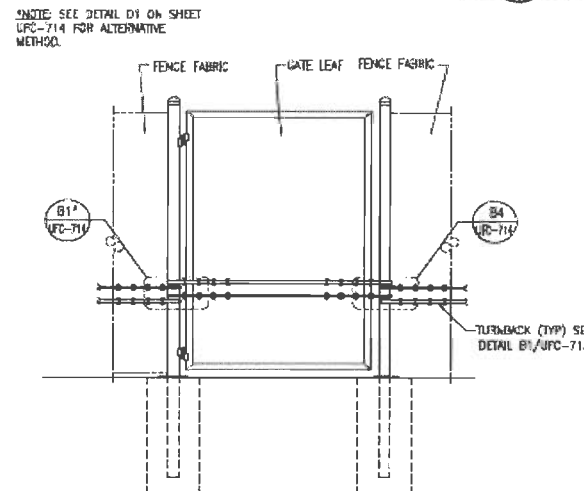
B5 UFC-712 UFC-712



ELEVATION - TYP CABLE REINFORCING DOUBLE FOR SWING GATE

SCALE: 1/2" = 1'-0"

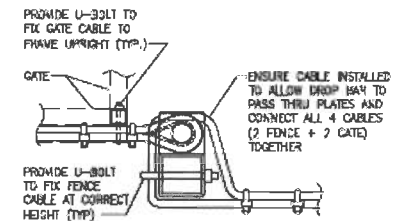
A1 CIVL DWGS UFC-712



ELEVATION - TYP CABLE REINF SINGLE SWING GATE

SCALE: 1/2" = 1'-0"

A2 CIVL DWGS UFC-712

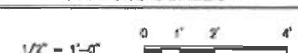


GATE SECTION

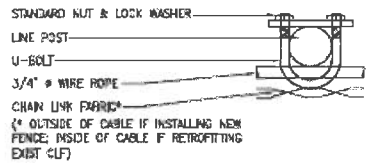
NOT TO SCALE

A6 UFC-712 UFC-712

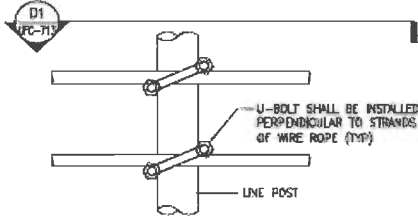
GRAPHIC SCALES



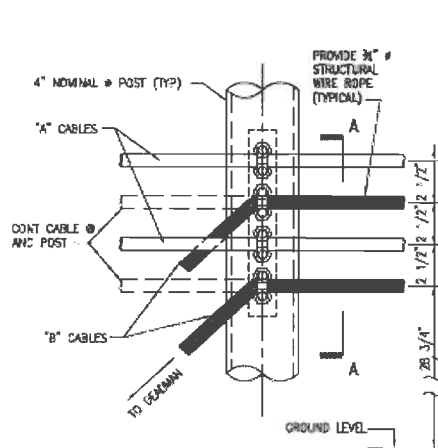
CABLE REINF (ANTI-RAMMING CABLES) DETAILS, UFC-713



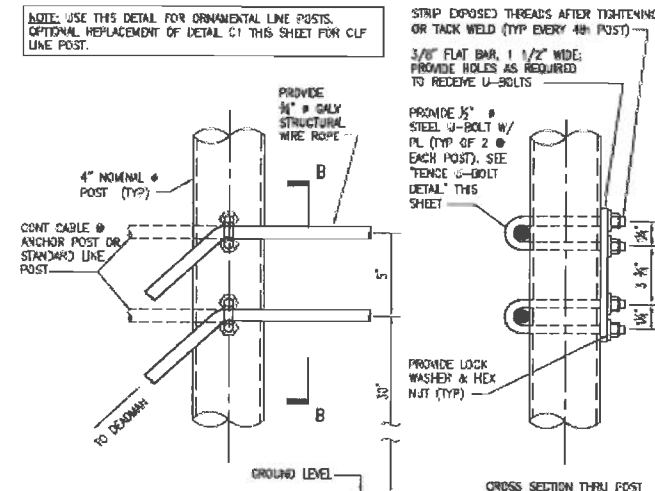
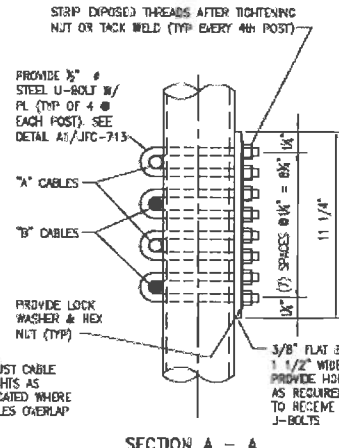
PLAN
SCALE: 3" = 1'-0"
UFC-713, UFC-713



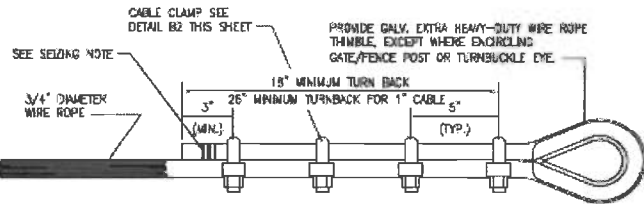
LINE POST DETAIL (CLF ONLY)
SCALE: 3" = 1'-0"
UFC-711, UFC-710, UFC-713



CABLE ANCHORAGE DETAIL @ PULL & ANCHOR POST W/ OVERLAPPING CABLES
SCALE: 3" = 1'-0"
UFC-710, UFC-713



CABLE ANCHORAGE DETAIL @ PULL & ANCHOR POST
SCALE: 3" = 1'-0"
UFC-711, UFC-713

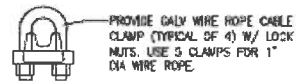


ORNAMENTAL FENCE NOTE: STRIP VINYL COATING OFF WIRE ROPE IN AREA OF CLIPS AND THIMBLE (APPROX. LAST 4'-6").

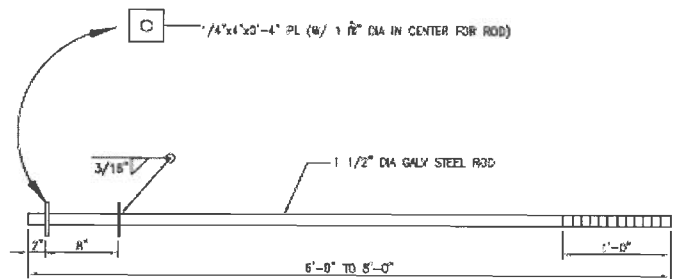
NOTE (ALL FENCE TYPES): INSTALL SADDLE OF CLIPS ON LIVE SIDE (AS SHOWN). SIZE CUT END OF WIRE ROPE, AND TORQUE NUTS PER MANUFACTURER'S RECOMMENDATIONS (TYP.).

SEIZING NOTE: WIND SEIZING WIRE IN A TIGHT SPIRAL AROUND THE ROPE END TO A 1" LENGTH OF SEIZING. TWIST THE TWO ENDS OF THE SEIZING WIRE AT THE CENTER OF THE SEIZING LENGTH. USE ZINC COATED STEEL WIRE.

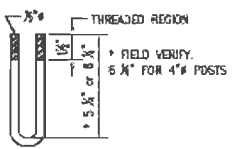
TYPICAL TURNBACK AND CLAMP DETAIL
SCALE: 3" = 1'-0"
UFC-710, UFC-711, UFC-712, UFC-720, UFC-721, UFC-722, UFC-713



CLAMP DETAIL
NOT TO SCALE
UFC-713, UFC-713



DEADMAN ANCHOR ROD
SCALE: 1 1/2" = 1'-0"
UFC-710, UFC-711, UFC-713, UFC-720, UFC-721



FENCE U-BOLT DETAIL
SCALE: 3" = 1'-0"
UFC-713, UFC-713

