

**State of Florida
Department of Transportation**



INVITATION TO BID
ALUMINUM MATERIALS
(Rebid #2)

ITB-DOT-17/18-9007-GH

CONTACT FOR QUESTIONS:

Greg Hill, Procurement Agent
greg.hill@dot.state.fl.us
605 Suwannee Street, MS20
Tallahassee, FL 32399-0450
Phone: 850-414-4482

BID #: ITB-DOT-17/18-9007-GH

FOB: Statewide

BID TITLE: ALUMINUM MATERIALS

CHANNELS

OVIEDO, FL

"DOT" NUMBER	DESCRIPTION	ESTIMATED QUANTITY EACH	LBS LF	UNIT PRICE	TOTAL
706-040	1.5" x .625" x .125" x 20', Square corner Alloy 6063-T52 *	5	.375		
706-072	2" x 2" x 1/8" x 20' Alloy 6061	10	.845		
706-075	2" x 1" x .1875" x 25' Alloy 6061-T6	10	.551		
706-080	2.5" x 1.50" x .125" x 20' Alloy 6061-T6	20	.764		
706-090	2.5" x .625" x .1875" x 20' Alloy 6061-T6	10	.625		
706-100	3" x .1875" x 30' Square Corners Alloy 6063-T52	20	1.250		
706-130	4" x 1.647" x .247" x 30' Alloy 6061-T6	20	2.160		
706-150	6" x 1.920" x .200" x 25' Alloy 6061-T6	2	2.128		
706-165	7" x 2.110 x .230" x 25' Alloy 6061-T6	5	3.541		

* Substitute Alloy (6063-T2, 6063-T52, 6061-T6, 3003, 5052-H32, 6063, 6061-T6SS) as stated in description

BARS

OVIEDO, FL

"DOT" NUMBER	DESCRIPTION	ESTIMATED QUANTITY EACH	LBS LF	UNIT PRICE	TOTAL
707-070	2.5" x .1875" x 12' Alloy 6061-T6	1	.338		
707-097	¼" x 12" x 12' FLAT BAR Alloy 6061-T6	50	3.528		

* Substitute Alloy (6063-T2, 6063-T52, 6061-T6, 3003, 5052-H32, 6063, 6061-T6SS) as stated in description

I-BEAMS

OVIEDO, FL

"DOT" NUMBER	DESCRIPTION	ESTIMATED QUANTITY EACH	LBS LF	UNIT PRICE	TOTAL
708-022	6" x 4" x .190" x 30' Alloy 6061-T6	10	4.030		

* Substitute Alloy (6063-T2, 6063-T52, 6061-T6, 3003, 5052-H32, 6063, 6061-T6SS) as stated in description

PLATES

OVIEDO, FL

“DOT” NUMBER	DESCRIPTION	ESTIMATED QUANTITY EACH	LBS SF	UNIT PRICE	TOTAL
704-150	.75" x 48" x 144" Alloy 6061-T6	5	11.000		

* Substitute Alloy (6063 T2, 6063 T52, 6061 T6, 3003, 5052-H32, 6063, 6061T6SS) as stated in description

SHEETS

OVIEDO, FL

“DOT” NUMBER	DESCRIPTION	ESTIMATED QUANTITY EACH	LBS SF	UNIT PRICE	TOTAL
704-020	1/8" x 36" x 144" Alloy 5052-H32 *	10	1.764		
704-050	1/8" x 54" x 144" Alloy 5052-H32 *	40	1.764		
704-070	.125" x 48" x 192", Floor Plate Alloy 6061-T6	10	1.905		

ZEE-BEAMS

OVIEDO, FL

“DOT” NUMBER	DESCRIPTION	ESTIMATED QUANTITY EACH	LBS	UNIT PRICE	TOTAL
708-100	4" x 3.0625" x .25" x 30' Alloy 6061-T6	20	2.850		

TUBES

OVIEDO, FL

“DOT” NUMBER	DESCRIPTION	ESTIMATED QUANTITY EACH	LBS LF	UNIT PRICE	TOTAL
702-005	1" x .125" x 20' Alloy 6061-T6	40	.405		
702-025	2.25" x .125" x 30' Alloy 6061-T6	50	.981		
702-030	2.5" x .25" x 30' Alloy 6061-T6	30	2.078		
702-055	3.5" x .1875" x 24' Alloy 6061-T6	10	2.294		
702-070	4" x .1875" x 24' Alloy 6061-T6	5	2.641		
702-125	4.25" x .25" x 24' Alloy 6061-T6	1	3.695		
702-131	4.5" x .375" x 24' Alloy 6061-T6	10	5.715		
702-161	5" x .375" x 30' Alloy 6061-T6	25	6.408		
702-162	5" x .5" x 24' Alloy 6061-T6	2	8.310		
702-180	5.5" x .375" x 24' Alloy 6061-T6	5	7.101		
702-185	5.5" x .25" x 24' Alloy 6061-T6	5	4.849		
702-240	6.5" x .25" x 24' Alloy 6061-T6	1	5.773		

TUBES

OVIEDO, FL

“DOT” NUMBER	DESCRIPTION	ESTIMATED QUANTITY EACH	LBS LF	UNIT PRICE	TOTAL
702-265	7" x .375" x 24' Alloy 6061-T6	25	9.179		
702-962	1½" x 3" x .187" x 21' Rectangle Alloy 6063-T52	20	1.250		

* Substitute Alloy (6063-T2, 6063-T52, 6061-T6, 3003, 5052-H32, 6063, 6061-T6SS) as stated in description

TUBES

STATEWIDE MAINTENANCE

DOT NUMBER	DESCRIPTION	ESTIMATED QUANTITY EACH	LBS LF	UNIT PRICE	TOTAL
208-001	.125" x 2.5" x 34' .Alloy 6061-T6	1,500	1.100		
208-002	.15628" x 2" x 34' .Alloy 6061-T6	1,000	1.060		
208-003	.125" x 3" x 34' .Alloy 6061-T6	1,500	1.330		
208-004	.15625" x 3.5" x 34' .Alloy 6061-T6	1,500	1.930		
208-011	.15625" x 4" x 34' .Alloy 6061-T6	600	2.220		

TUBES

STATEWIDE MAINTENANCE

DOT NUMBER	DESCRIPTION	ESTIMATED QUANTITY EACH	LBS LF	UNIT PRICE	TOTAL
TBD	.125" x 2.5" x 17' .Alloy 6061-T6	1,500	1.100		
TBD	.15628" x 2" x 17' .Alloy 6061-T6	1,000	1.060		
TBD	.125" x 3" x 17' .Alloy 6061-T6	1,500	1.330		
TBD	.15625" x 3.5" x 17' .Alloy 6061-T6	1,500	1.930		
TBD	.15625" x 4" x 17' .Alloy 6061-T6	600	2.220		

Z-BARS

STATEWIDE MAINTENANCE

DOT NUMBER	DESCRIPTION	ESTIMATED QUANTITY EACH	LBS LF	UNIT PRICE	TOTAL
208-558	1.75" x .1875" x 20' .Alloy 6061-T6	225	1.080		

DELIVERY: Delivery will be made within _____ days after receipt of Purchase Order.

Delivery must be made within thirty (30) calendar days or less upon receipt of a purchase order by the contract vendor at their designated ordering location. If more time is needed, the bidder should state the extra time required and the reasons why, in their bid response. Acceptance will be subject to the Department's approval – orders (30) calendar days or older maybe subject to the Department's denial or order.

Is this product available with recycled content? __Yes __No

If yes, please send information separate from this Invitation to Bid (See Recycled Material Special Condition for more information).

RENEWAL: see Introduction Section #7.

MFMP Transaction Fee:

All payment(s) to the vendor resulting from this competitive solicitation **WILL** be subject to the MFMP Transaction Fee in accordance with the attached Form PUR 1000 General Contract Condition #14. However, all vendors should be aware, that effective July 1, 2016 through June 30, 2017, in accordance with House Bill 5003 Sec.73, the Transaction Fee will be seven-tenths of one percent (.70%) of the payment issued. The Transaction Fees imposed shall be based upon the date of issuance of the payment.

NOTE: In submitting a response, the bidder acknowledges they have read and agree to the solicitation terms and conditions and their submission is made in conformance with those terms and conditions.

ACKNOWLEDGEMENT: I certify that I have read and agree to abide by all terms and conditions of this solicitation and that I am authorized to sign for the bidder. I certify that the response submitted is made in conformance with all requirements of the solicitation.

Bidder: _____ FEID# _____

Address: _____ City, State, Zip: _____

Phone: _____ E-mail: _____

Authorized Signature: _____ Date: _____

Printed/Typed: _____ Title: _____

Vendor Name: _____

EXHIBIT "A"
ALUMINUM PRODUCERS/FABRICATORS FORM

All producers/fabricators of aluminum are required to have an approved Quality Control Plan (QCP) in accordance with FDOT specifications and must be listed on the State Materials Office list of approved metal producers, which can be accessed on their website.

<ftp://ftp.dot.state.fl.us/fdot/smo/website/sources/metalsource.pdf>

Questions concerning the QCP should be directed to: Steven M. Duke, CPM, Inspection Services Manager (Structural Steel, Coatings, and Timber), State Materials Office, 5007 NE 39th Ave., Gainesville, FL 32609, Office Phone:(352) 955-6682.

PRODUCERS/FABRICATORS LISTED BELOW MUST BE ON THE APPROVED QCP PRIOR TO THE AWARD POSTING DATE. This has to be completed by the award posting date.

FOR THIS BID ALL ITEMS ARE CONSIDERED FABRICATED.

Please provide the following information all manufacturer(s) that you will be using for any contract item.

Producer/Fabricator Name: _____
Contact Person: _____
City, State, Zip Code: _____
Phone Number: _____
Email Address: _____
Approval Source Number (if available) (*): _____
Category Type Purchased (**): _____

Producer/Fabricator Name: _____
Contact Person: _____
City, State, Zip Code: _____
Phone Number: _____
Email Address: _____
Approval Source Number (if available) (*): _____
Category Type Purchased (**): _____

Producer/Fabricator Name: _____
Contact Person: _____
City, State, Zip Code: _____
Phone Number: _____
Email Address: _____
Approval Source Number (if available) (*): _____
Category Type Purchased (**): _____

*Approval Source Number: The Departments QCP approval number from website.

**Category example: Angles, Channels, Bars, etc.

List all producers/fabricators that you will be purchasing from for this contract. Use additional paper as needed.

EXHIBIT "B"

FLORIDA DEPARTMENT OF TRANSPORTATION
MATERIAL SPECIFICATIONS – **COMPLIANCE FORM**

A completed copy of this page, filled out in ink, must be returned with the bid. Failure to complete the conformance column may result in a bid being rejected as non-responsive. Unless otherwise stated this data applies to all sites.

REQUIREMENTS	CONFORMANCE
<p>1) The Sheet and Plate materials to be delivered to the Lake City Sign Shop shall meet the requirements of ASTM H-38Alloy 5052. The sheets shall be degreased, etched, and alodized using 12 Alodine. The sheets shall be flat (no coil stock). The edges shall be straight and parallel, and free from damage, ie, nicks, gouges, cracks, etc. (See substitute note on some items).</p>	<p>1) Yes ___ No ___ Alloy _____</p>
<p>2) The Sheet and Plate materials to be delivered to the Oviedo Structural Shop shall meet the requirements of ASTM -209, Alloy 6061-T6 or the Alloy 5052-H32 and the sheets shall <u>not</u> be etched or alodized. Otherwise, the provisions stated in 1) above applies.</p>	<p>2) Yes ___ No ___ Alloy _____</p>
<p>3) The Extruded Tubing shall meet the requirements of ASTM B-221, Alloy 6061-T6. (See substitute note on some items).</p>	<p>3) Yes ___ No ___</p>
<p>4) The Round Bars shall meet the requirements of ASTM B-211, Alloy 6061-T6.</p>	<p>4) Yes ___ No ___</p>
<p>5) The Pipes shall meet the requirements of ASTM B-241, Alloy 6061-T6.</p>	<p>5) Yes ___ No ___</p>
<p>6) The Structural Shapes shall meet the requirements of ASTM B-308, Alloy 6061-T6. (See substitute note on some items).</p>	<p>6) Yes ___ No ___</p>
<p>7) There shall be no paper or other materials used between or on the sheets, tubing, etc.</p> <p>Tolerances for the above materials shall be within the ASTM specification's limits governing each item.</p> <p>The ASTM Standard Specification or Tentative Standard Specification in force on the date of the advertisement of the proposal applies, except where a superseded specification, designation, or method is specifically designated.</p> <p>The producer shall furnish, at time of delivery, six (6) certified copies of the mill analysis covering the shipment for each size and type of material.</p> <p>Upon delivery, random samples of each item will be tested. Should a sample fail to meet the specifications, the entire lot must be replaced within ten (10) days after notification. Replacement of all materials found defective shall be made without cost to the purchaser, including transportation. At the option of the "DOT", the material may be accepted on the basis of the producer's certified mill analysis.</p>	<p>7) Yes ___ No ___</p>

Signature: _____

Name (Print): _____

Title: _____

Date: _____

INTRODUCTION SECTION

1) INVITATION

The purpose of this Invitation to Bid is to obtain competitive bids to establish pricing for ALUMINUM MATERIALS which will become a part of the ITB-DOT 16/17-9009-GH by the Department of Transportation, hereafter referred to as the "Department". The contract will become effective on the date the successful bidder(s) is approved for award and will expire SEPTEMBER 9, 2018 (the same date as the original contract). After the award, said bidder(s) will be referred to as the "Vendor(s)".

All commodities identified in this Invitation to Bid will be subject to the availability of identical commodities as provided by mandatory Department of Management Services' State Contract(s) at such time these commodities become available. In the event of duplication(s) of commodities, the Department of Management Services' mandatory State Contract shall prevail.

2) TIMELINE

Provided below is a list of critical dates and actions. These dates are subject to change. Notices of changes (Addenda) will be posted on the Florida Vendor Bid System at www.myflorida.com (click on "BUSINESS", click on "Doing Business with the State", under "Everything for Vendors and Customers", click on "Vendor Bid System (VBS)", click on "Search Advertisements") under this bid number. It is the responsibility of all potential bidders to monitor this site for any changing information prior to submitting your bid.

ACTION / LOCATION	DATE	LOCAL TIME
DEADLINE FOR TECHNICAL QUESTIONS - There is no deadline for administrative questions.	August 4, 2017	5:00 PM
BIDS DUE (ON OR BEFORE) - FDOT Burns Bldg. Procurement Office Rm. 429 605 Suwannee Street, MS 20 Tallahassee, FL 32399-0450 Greg Hill (850) 414-4482	August 17, 2017	3:00 PM
PUBLIC OPENING - Florida Department of Transportation Procurement Office Rm. 429 Greg Hill (850) 414-4482 605 Suwannee Street, MS 20 Tallahassee, FL 32399-0450	August 17, 2017	3:00 PM
POSTING OF INTENDED DECISION/AWARD -	August 22, 2017	5:00 PM

3) BID OPENING AGENDA

The sealed bids will be opened by the Department's Procurement Office personnel at the date, time and location in the Timeline. All bid openings are open to the public and will be conducted according to the following agenda:

Opening remarks – Approximate time of 2 minutes by Department Procurement Office personnel.

Public input period – To allow a maximum of 15 minutes total for public input related to the bid solicitation.

Bids opened – At conclusion of public input or 15 minutes, whichever occurs first, bids received timely will be opened with bidder's name and prices to be read aloud.

Adjourn - After all bids received timely have been opened, the meeting will be adjourned.

4) SPECIAL ACCOMMODATIONS

Any person with a qualified disability requiring special accommodations at a pre-bid conference, public meeting, and/or opening shall contact the contact person at the phone number, e-mail address or fax number provided on the title page at least five (5) working days prior to the event. If you are hearing or speech impaired, please contact this office by using the Florida Relay Services which can be reached at 1 (800) 955-8771 (TDD).

5) CONTRACT USE

Use of the contract resulting from this bid will be optional for the Department. The Department reserves the right to solicit separate bids for any unusual or abnormal quantity requirements that may arise during the term of the contract.

6) ESTIMATED PURCHASES

The Department anticipates purchasing the estimated quantities, shown on the bid sheet(s), for a one (1) year period of any contract resulting from this bid. The estimated quantities are given only as a guideline for preparing your bid and should not be construed as representing the actual quantities to be purchased under this contract. The Vendor(s) shall supply, at bid prices, the actual quantities ordered regardless of whether the total of such quantities is more or less than anticipated. This bid and the resulting contract will be subject to annual appropriated funding.

7) RENEWAL

Upon mutual agreement, the Department and the Contract Vendor may renew the contract for a period that may not exceed 3 years or the term of the original contract, whichever is longer. The renewal must be in writing and signed by both parties, and is subject to the same terms and conditions set forth in the initial contract and any written amendments signed by the parties. Any renewal shall specify the renewal price, as set forth in the solicitation response except that an agency may negotiate lower pricing. Renewal is contingent upon satisfactory performance evaluations and subject to the availability of funds.

SPECIAL CONDITIONS

1) MyFloridaMarketPlace

BIDDERS MUST BE ACTIVELY REGISTERED IN THE STATE OF FLORIDA'S MYFLORIDAMARKETPLACE SYSTEM BY THE TIME AND DATE OF THE BID OPENING OR THEY MAY BE CONSIDERED NON-RESPONSIVE (see Special Condition 21). All prospective bidders that are not registered should go to <https://vendor.myfloridamarketplace.com/> to complete on-line registration, or call 1-866-352-3776 for assisted registration.

All payment(s) to the vendor resulting from this competitive solicitation **WILL** be subject to the MFMP Transaction Fee in accordance with the referenced Form PUR 1000 General Contract Condition #14. However, all vendors should be aware, that effective July 1, 2016 through June 30, 2017, in accordance with House Bill 5003 Sec.73, the Transaction Fee will be seven-tenths of one percent (.70%) of the payment issued. The Transaction Fees imposed shall be based upon the date of issuance of the payment.

2) Florida Department of Financial Services (DFS) W-9 REQUIREMENT

The Florida Department of Financial Services (DFS) requires all vendors that do business with the state to submit an electronic Substitute Form W-9. Vendors must submit their W-9 forms electronically at <https://flvendor.myfloridacfo.com> to receive payments from the state. Contact the DFS Customer Service

Desk at (850) 413-5519 or FLW9@myfloridacfo.com with any questions.

3) **QUESTIONS & ANSWERS**

In accordance with section 287.057(23), Florida Statutes, respondents to this solicitation or persons acting on their behalf may not contact, between the release of the solicitation and the end of the 72-hour period following the agency posting the notice of intended award, excluding Saturdays, Sundays, and state holidays, any employee or officer of the executive or legislative branch concerning any aspect of this solicitation, except in writing to the procurement officer or as provided in the solicitation documents. Violation of this provision may be grounds for rejecting a response.

Any technical questions arising from this Invitation to Bid must be forwarded, in writing, to the procurement agent identified below. Questions must be received no later than the time and date reflected on the Timeline. The Department's written response to written inquiries submitted timely by bidders will be posted on the Florida Vendor Bid System at www.myflorida.com (click on "BUSINESS", click on "Doing Business with the State", under "Everything for Vendors and Customers", click on "Vendor Bid System (VBS)", click on "Search Advertisements"), under this bid number. It is the responsibility of all potential bidders to monitor this site for any changing information prior to submitting their bid.

WRITTEN TECHNICAL QUESTIONS should be submitted to:

greg.hill@dot.state.fl.us, or mailed to FDOT Procurement Office, Greg Hill, 605 Suwannee St., MS20, Tallahassee, FL 32399.

Questions regarding administrative aspects of the bid process should be directed to the Procurement Agent in writing at the address above or by phone.

4) **ORAL INSTRUCTIONS / CHANGES TO THE INVITATION TO BID (ADDENDA)**

No negotiations, decisions, or actions will be initiated or executed by a bidder as a result of any oral discussions with a State employee. Only those communications which are in writing from the Department will be considered as a duly authorized expression on behalf of the Department.

Notices of changes (Addenda) will be posted on the Florida Vendor Bid System at www.myflorida.com (click on "BUSINESS", click on "Doing Business with the State", under "Everything for Vendors and Customers", click on "Vendor Bid System (VBS)", click on "Search Advertisements") under this bid number. It is the responsibility of all potential bidders to monitor this site for any changing information prior to submitting your bid. All Addenda will be acknowledged by signature and subsequent submission of Addenda with bid when so stated in the Addenda.

5) **DIVERSITY ACHIEVEMENT**

The Department, in accordance with ***Title VI of the Civil Rights Act of 1964, 42 USC 2000d- 2000d-4, Title 49, Code of Federal Regulations, U.S. Department of Transportation, Subtitle A, Office of the Secretary, Part 21***, Nondiscrimination in federally-assisted programs of the Department of Transportation issued pursuant to such Act, hereby notifies all bidders that the Department will affirmatively ensure that in any contract/agreement entered into pursuant to this advertisement, minority and disadvantaged business enterprises will be afforded the full opportunity to submit bids in response to this invitation and will not be discriminated on the basis of race, color, national origin, or sex in consideration for an award.

The Department encourages the recruitment and utilization of small, minority, women, and service-disabled veteran businesses. The Department, its vendors, suppliers, and consultants should take all necessary and reasonable steps to ensure that small, minority, women, and service-disabled veteran businesses have the opportunity to compete for and perform contract work for the Department in a nondiscriminatory environment.

6) PRICES/DELIVERY

Prices shall be firm, net, delivered prices, F.O.B. destination.

Delivery must be made within thirty (30) calendar days or less upon receipt of a purchase order by the contract vendor at their designated ordering location. If more time is needed, the bidder should state the extra time required and the reasons why, in their bid response. Acceptance will be subject to the Department's approval – orders (30) calendar days or older maybe subject to the Department's denial or order.

7) IN-STATE PREFERENCE FOR COMMODITY BIDS

In accordance with Section 287.084, Florida Statutes, when the lowest responsible and responsive bid is submitted by a vendor whose principal place of business is located outside the state of Florida, a 5% price preference shall be awarded to the lowest responsible and responsive vendor whose principal place of business is located in the state of Florida unless the state where the out-of-state vendor is located provides a price preference for businesses having a principal place of business in that state. In that case, the same price preference shall be awarded to the lowest responsible and responsive vendor whose principal place of business is located in the state of Florida responding to this Invitation to Bid (ITB).

All bidders should complete the attached "In-State Preference Form" and submit with their bid response. A vendor whose principal place of business is located outside the state of Florida, must accompany their bid response documents with a written opinion of an attorney licensed to practice law in that foreign state, as to the preferences granted by that state to its own business entities in the letting of public contracts.

For the 5% preference, the Department will apply 5% to the bid price(s) of the lowest out of state vendor whose state does not grant a preference if that vendor has submitted the lowest responsible and responsive bid. The "In-State Preference" does not apply to transportation projects that use federal funds.

8) INTENDED AWARD

As the best interest of the State may require, the right is reserved to make award(s) by individual item, group of items, all or none, or a combination thereof: on a geographical district basis and / or on a statewide basis with one or more suppliers to reject any and all bids or waive any minor irregularity or technicality in bids received. When it is determined there is competition to the lowest responsible bidder, evaluation of other bids is not required. Bidders are cautioned to make no assumptions, unless their bid has been evaluated as being responsive. All awards made as a result of this bid shall conform to applicable Florida Statute. If the Department is confronted with identical pricing or scoring from multiple vendors, the Department shall determine the order of award in accordance with section 295.187(4), Florida Statutes, and Rule 60A-1.011 Florida Administrative Code.

9) PRE-BID CONFERENCE: A PRE-BID CONFERENCE WILL NOT BE HELD.

10) ALTERNATES

ALTERNATE BRANDS WILL NOT BE CONSIDERED FOR THIS BID. BID AS SPECIFIED.

11) WARRANTY/SUBSTITUTIONS

A warranty is required on all items purchased against defective materials, workmanship, and failure to perform in accordance with required industry performance criteria, for a period of not less than ninety (90) days from the date of acceptance by the purchaser. Any deviation from this criteria must be documented in the bid response or the above statement shall prevail. Delivery of substitute commodities requires prior written approval from the ordering location.

12) REPLACEMENT/RESTOCKING

Replacement of all materials found defective within the warranty period shall be made without cost to the purchaser, including transportation if applicable. All fees associated with restocking cancelled orders shall be the responsibility of the vendor.

13) PRODUCT REQUIREMENTS/SPECIFICATIONS

Items furnished shall be standard products of the manufacturer or their suppliers, shall be new, unused, clean, and free from any defects or features affecting appearance, serviceability, or the safety of the user in normal intended use.

Any deviation from specifications indicated herein must be clearly pointed out; otherwise, it will be considered that items offered are in strict compliance with these specifications, and successful bidder will be held responsible therefore. Deviations must be explained in detail on separate attached sheet(s).

14) ACCEPTANCE

All items listed in the specifications, delivered to the Department not meeting specifications or found to be poorly manufactured will not be accepted, but returned to the vendor, at their expense, for replacement. Replacement of all items found defective shall be made without cost to the Department, including transportation, if applicable. As it may be impossible for each facility to inspect all items upon arrival, a reasonable opportunity must be given to these facilities for inspection of the items, and returning those that are defective.

15) REVIEW OF BIDDER'S FACILITIES & QUALIFICATIONS

After the bid due date and prior to contract execution, the Department reserves the right to perform or to have performed, an on-site review of the bidder's facilities and qualifications. This review will serve to verify data and representations submitted by the bidder and may be used to determine whether the bidder has adequate facilities, equipment, qualified and experienced staff, and overall management capabilities to provide the required items. The review may also serve to verify whether the bidder has financial capabilities adequate to meet the contract requirements.

Should the Department determine that the bid package has material misrepresentations or that the size or nature of the bidder's facilities, equipment, management capabilities, or the number of experienced personnel (including technical staff) are not adequate to ensure satisfactory contract performance, the Department has the right to reject the bid.

16) PROTEST OF INVITATION TO BID SPECIFICATIONS

Any person who is adversely affected by the contents of this Invitation to Bid must file the following with the Department of Transportation, Clerk of Agency Proceedings, Office of the General Counsel, 605 Suwannee Street, Mail Station 58, Tallahassee, Florida 32399-0450:

1. A written notice of protest within seventy-two (72) hours after the posting of the solicitation, (the notice of protest may be Faxed to 850-414-5264), and
2. A formal written protest in compliance with Section 120.57(3), Florida Statutes, within ten (10) days of the date on which the written notice of protest is filed.

Failure to file a protest within the time prescribed in section 120.57(3), Florida Statutes, or failure to post the bond or other security required by law within the time allowed for filing a bond shall constitute a waiver of proceedings under Chapter 120, Florida Statutes.

17) UNAUTHORIZED ALIENS

The employment of unauthorized aliens by any contractor is considered a violation of Section 274A(e) of the Immigration and Nationality Act. If the contractor knowingly employs unauthorized aliens, such violation shall be cause for unilateral cancellation of the contract.

18) SCRUTINIZED COMPANIES LISTS

Responses of \$1 million or more must include a completed [Vendor Certification Regarding Scrutinized Companies Lists](#) to certify the respondent is not on either of those lists. The Form should be submitted with the Price Proposal.

Section 287.135, Florida Statutes, requires that at the time a vendor submits a bid or proposal for a contract for goods or services of \$1,000,000 or greater, the vendor must certify that the company is not on Scrutinized Companies with Activities in the Sudan List, the Scrutinized Companies with Activities in the Iran Petroleum Energy Sector List, or the Scrutinized Companies that Boycott Israel List.

For Contracts \$1,000,000 and greater, if the Department determines the Vendor submitted a false certification under Section 287.135(5) of the Florida Statutes, or if the Vendor has been placed on the Scrutinized Companies with Activities in the Sudan List, the Scrutinized Companies with Activities in the Iran Petroleum Energy Sector List, or the Scrutinized Companies that Boycott Israel List, the Department shall either terminate the Contract after it has given the Vendor notice and an opportunity to demonstrate the Department's determination of false certification was in error pursuant to Section 287.135(5)(a) of the Florida Statutes, or maintain the Contract if the conditions of Section 287.135(4) of the Florida Statutes are met.

19) RESERVATIONS

The Department reserves the right to accept or reject any or all bids received and reserves the right to make an award without further discussion of the bids submitted. Therefore, the bidder should make sure that the bid package submitted is complete and accurate and submitted to ensure delivery on or before the bid opening time and date specified in this solicitation. It is understood that the bid will become a part of the Department's official file, without obligation to the Department.

20) ADDITIONAL TERMS & CONDITIONS

No conditions may be applied to any aspect of the ITB by the bidder. Any conditions placed on any aspect of the bid documents by the bidder may result in the bid being rejected as a conditional bid (see "RESPONSIVENESS OF BIDS"). **DO NOT WRITE IN CHANGES ON ANY ITB SHEET.** The only recognized changes to the ITB prior to bid opening will be a written Addenda issued by the Department.

21) RESPONSIVENESS OF BIDS

Bids will not be considered if not received by the Department **on or before** the date and time specified as the due date for submission. All bids must be typed or printed in ink. A responsive bid is an offer to provide the items specified in this Invitation to Bid in accordance with all requirements of this Invitation to Bid. Bids found to be non-responsive will not be considered. Bids may be rejected if found to be irregular or not in conformance with the specifications and instructions herein contained. A bid may be found to be irregular or non-responsive by reasons that include, but are not limited to, failure to utilize or complete prescribed forms, modifying the bid specifications, submitting conditional bids or incomplete bids, submitting indefinite or ambiguous bids, or executing forms or the bid sheet with improper and/or undated signatures. Other conditions which may cause rejection of bids include, evidence of collusion among bidders, obvious lack of experience or expertise to provide the required items, and failure to perform or meet financial obligations on previous contracts.

22) REQUIRED DOCUMENTS

The bidder must use the attached Bid Sheet (pgs. 1-6) to submit its bid. The Bid Sheet must be signed and dated in ink by a representative who is authorized to contractually bind the bidder. All **bid sheets** and **other documentation** submitted in response to this solicitation must be executed and submitted in a sealed envelope. **Indicate the bid number, with the time and date of the bid opening, on the envelope used to return the bid.**

23) "DRUG-FREE WORK PLACE" PREFERENCE

Whenever two or more bids which are equal with respect to price, quality, and service are received, the Department shall determine the order of award in accordance with section 295.187(4), Florida Statutes, and Rule 60A-1.011 Florida Administrative Code, which includes a preference for bid responses that certify the business has implemented a drug-free workplace program in accordance with Section 287.087, F.S. The "Drug-Free Workplace Program Certification" must be completed and submitted with the bid response to be eligible for this preference.

24) COPYRIGHTED MATERIAL

Copyrighted material will be accepted as part of a bid only if accompanied by a waiver that will allow the Department to make paper and electronic copies necessary for the use of Department staff and agents. It is noted that copyrighted material is not exempt from the Public Records Law, Chapter 119, Florida Statutes. Therefore, such material will be subject to viewing by the public, but copies of the material will not be provided to the public.

25) ATTACHMENT TO ITB SUBMITTAL - CONFIDENTIAL MATERIAL

The Bidder must include any materials it asserts to be exempted from public disclosure under Chapter 119, Florida Statutes, in a separate bound document labeled "Attachment to Invitation to Bid, Number ITB-DOT-17/18-9007-GH - Confidential Material". The Bidder must identify the specific Statute that authorizes exemption from the Public Records Law. Any claim of confidentiality on materials the Bidder asserts to be exempt from public disclosure and placed elsewhere in the bid will be considered waived by the Bidder upon submission, effective after opening.

26) MAIL OR DELIVER BIDS TO: (DO NOT FAX OR SEND BY E-MAIL)

**Florida Department of Transportation
Procurement Office
605 Suwannee Street, MS 20
Tallahassee, Florida 32399-0450
Attn: Greg Hill (850) 414-4482**

It is the bidder's responsibility to assure that the bid is delivered to the proper place **on or before** the Bid Due date and time (See Introduction Section 2, Timeline). Bids which for any reason are not so delivered will not be considered.

27) MODIFICATIONS, RESUBMITTAL AND WITHDRAWAL

Bidders may modify submitted bids at any time prior to the bid due date. Requests for modification of a submitted bid shall be in writing and must be signed by an authorized signatory of the bidder. Upon receipt and acceptance of such a request, the entire bid will be returned to the bidder and not considered unless resubmitted by the due date and time. Bidders may also send a change in a sealed envelope to be opened at the same time as the bid. The ITB number, opening date and time should appear on the envelope of the modified bid.

28) POSTING OF INTENDED DECISION/AWARD

28.1 - General:

The Department's decision will be posted on the Florida Vendor Bid System at www.myflorida.com, (click on "BUSINESS", click on "Doing Business with the State", under "Everything for Vendors and Customers", click on "Vendor Bid System (VBS)", on date and time in the Timeline, and will remain posted for a period of seventy-two (72) hours. Any bidder who is adversely affected by the Department's recommended award or intended decision must file the following with the Department of Transportation, Clerk of Agency Proceedings, Office of the General Counsel, 605 Suwannee Street, Mail Station 58, Tallahassee, Florida 32399-0450:

1. A written notice of protest within seventy-two (72) hours after posting of the Intended Award, (the notice of protest may be Faxed to 850-414-5264), and
2. A formal written protest and protest bond in compliance with Section 120.57(3), Florida Statutes, within ten (10) days of the date on which the written notice of protest is filed. At the time of filing the formal written protest, a bond (a cashier's check or money order may be accepted) payable to the Department must also be submitted in an amount equal to one percent (1%) of the estimated contract amount based on the contract price submitted by the protestor.

Failure to file a protest within the time prescribed in Section 120.57(3), Florida Statutes, or failure to post the bond or other security required by law within the time allowed for filing a bond shall constitute a waiver of proceedings under Chapter 120, Florida Statutes.

28.2 - Inability to Post:

If the Department is unable to post as defined above, the Department will notify all bidders by electronic notification on the Florida Vendor Bid System (see special condition 28.1, above) or by mail, fax, and/or telephone. The Department will provide notification of any future posting in a timely manner.

28.3 - Request to Withdraw Bid:

Requests for withdrawal will be considered if received by the Department, in writing, within seventy-two (72) hours after the bid opening time and date. Requests received in accordance with this provision will be granted by the Department upon proof of the impossibility to perform based upon obvious error on the part of the bidder. Bidders that do not withdraw as stated above will forfeit their bid bond, if applicable.

29) RECYCLED MATERIAL

The Department encourages the use of products and materials with recycled content and post-consumer recovered materials. If the item(s) specified in the Technical Specification is available with recycled content, we request that you provide product information to help in our search for recycled products. However, this bid request is for the product as specified herein and does not require prices for recycled product. This information should be sent as part of your bid response or may be sent separately.

30) PRICE ADJUSTMENTS

The Department may, in its sole discretion, make an equitable adjustment in the Contract terms and/or pricing if pricing or availability of supply is affected by extreme and unforeseen volatility in the marketplace, that is, by circumstances that satisfy all the following criteria: (1) the volatility is due to causes wholly beyond the Vendor's control, (2) the volatility affects the marketplace or industry, not just the particular Contract source of supply, (3) the effect on pricing or availability of supply is substantial, and (4) the volatility so affects the Vendor that continued performance of the Contract would result in a substantial loss. The Vendor shall

provide thirty (30) days written notice to the Department and written approval from the Department is required. Documentation of cost adjustments shall be provided by the Vendor to the Department.

31) DELIVERY LOCATION(S)

Delivery shall be as specified on the purchase orders. Normally, delivery shall be to the following sites:

Ms. Janelle Inman-Albright, Phone: 386/961-7120 *
Department of Transportation, Sign Shop
590 NW Lake Jeffery Road
Lake City, FL 32055, or

Mr. John Cory, Phone: 407/977-6520 **
Department of Transportation Structural Shop
2590 Camp Road
Oviedo, FL 32765

Deliver on flatbed vehicle with removable sides for forklift operations. The load will be positioned for unloading with moving or off-loading items not for that location.

*** Deliveries shall be made between 8:00 A.M. and 4:00 P.M. Monday through Thursday. No Friday or holiday deliveries.**

**** Deliveries shall be made between 8:00 A.M. and 3:00 P.M. Monday through Thursday. No Friday or holiday deliveries**

32) PACKAGING – Each Commodity number for the Lake City, Florida location should be palletized separately.

33) CANCELLATION

All contract obligations shall prevail for at least one hundred and eighty (180) days after the effective date of the contract. For the protection of both parties, this contract may be cancelled in whole or in part after one hundred and eighty (180) days by either party giving thirty (30) days prior written notice to the other contract party. The contract may, also, be cancelled by the Department for nonperformance (default) in accordance with Rule 60A-1.006(3), F.A.C.

34) ORDERING INSTRUCTIONS

Manufacturers are encouraged to bid direct naming dealers who will accept orders and complete deliveries. Bidders must include complete ordering instructions, including FEDERAL EMPLOYER IDENTIFICATION NUMBER (FEID), for invoicing dealers, with the bid on a separate sheet.

35) ORDER QUANTITIES

The Department will, at its discretion, place orders with the Vendor(s) for various quantities of the items, as needed, during the contract period. Bidders are encouraged to identify the standard packaging quantity and minimum order quantity acceptable for each item or group of items bid. Excessive minimum order quantities will not be accepted.

36) OPEN PURCHASE ORDERS

The Department may, at its discretion, establish an open (estimated quantity) purchase order with the contract vendor(s) to facilitate the purchasing of materials. The purchase of materials may be placed by; (1) written purchase order, (2) telephone orders by authorized Department personnel, or (3) an itemized order in

writing. The Department will supply the contract vendor(s) with a list of personnel authorized to order. Delivery of items on these open purchase orders shall not exceed the contract effective period.

37) INVOICING

Invoices must match units specified on the Purchase Order.

38) FORMS

The Bidder must complete all required items below and submit them as part of the Bid package. Any Bid in which these forms are not used or in which these forms are improperly executed may be considered non-responsive and the bid may be subject to rejection.

Bid Sheet

Ex. "A", ALUMINUM PRODUCERS/FABRICATORS FORM

Ex. "B", FDOT MATERIAL SPECIFICATIONS – COMPLIANCE FORM

Drug-Free Workplace Program Certification

In-State Preference

Vendor Certification Regarding Scrutinized Companies Lists (#375-030-60) (\$1M or more)

Ordering Instructions

39) TERMS AND CONDITIONS

39.1 General Contract Conditions (PUR 1000)

The State of Florida's General Contract Conditions are outlined in form PUR 1000, which is a downloadable document incorporated into this Invitation to Bid (ITB) by reference. Any terms and conditions set forth in this ITB document will take precedence over the PUR 1000 form where applicable.

<http://www.dms.myflorida.com/content/download/2933/11777/1000.pdf>

The following paragraphs do not apply to this Invitation to Bid:

Paragraph 31, Dispute Resolution - PUR 1000

Paragraph 40, PRIDE – PUR 1000, when federal funds are utilized.

39.2 General Instructions to Respondents (PUR 1001)

The State of Florida's General Instructions to Respondents are outlined in form PUR 1001, which is a downloadable document incorporated into this Invitation to Bid (ITB) by reference. Any terms and conditions set forth in this ITB document take precedence over the PUR 1001 form where applicable.

<http://www.dms.myflorida.com/content/download/2934/11780/1001.pdf>

The following paragraphs do not apply to this Invitation to Bid:

Paragraph 3, Electronic Submission – PUR 1001

Paragraph 4, Terms and Conditions – PUR 1001

Paragraph 5, Questions – PUR 1001

39.3 MFMP Purchase Order Terms and Conditions

All MFMP Purchase Order contracts resulting from this solicitation will include the terms and conditions of this solicitation and the State of Florida's standardized Purchase Order Terms and Conditions, which can be found at the Department of Management Services website at the following link:

http://www.dms.myflorida.com/content/download/117735/646919/Purchase_Order_Terms_Sept_1,_2015_.pdf

Section 8(B), PRIDE, is not applicable when using federal funds.

40) ORDER OF PRECEDENCE

All responses are subject to the terms and conditions of this solicitation, which, in case of conflict, shall have the following order of precedence listed:

Special Conditions
Technical Specifications
Bid Sheet
MFMP Purchase Order Terms and Conditions – Section 8(B), PRIDE, is not applicable when using federal funds.
General Instructions to Respondents (PUR 1001)
General Contract Conditions (PUR 1000)
Introduction Section

41) QUALITY CONTROL PLAN

All producers/fabricators of aluminum are required to have an approved quality control plan in accordance with FDOT specifications and be listed on the State Materials Office list of approved metal producers, which can be accessed on their website.

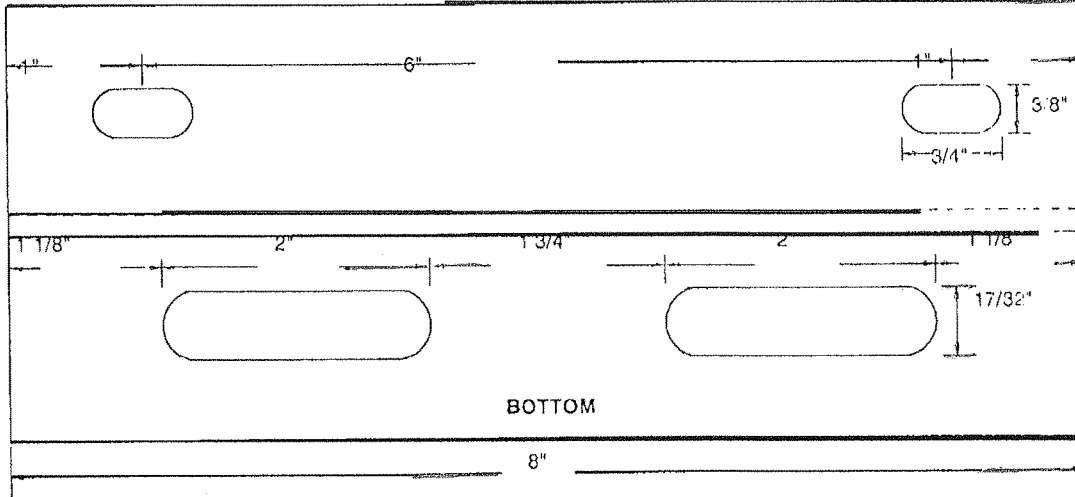
Questions concerning the quality control plan should be directed to:

Steven M. Duke, CPM, Inspection Services Manager
(Structural Steel, Coatings, and Timber)
State Materials Office
5007 NE 39th Avenue
Gainesville, FL 32609
Office (352) 955-6682
Steve.Dukes@dot.state.fl.us

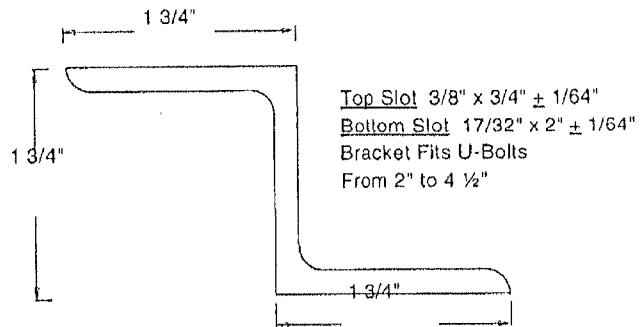
- FOR THIS BID ALL ITEMS ARE CONSIDERED FABRICATED
- PRODUCERS/FABRICATORS LISTED ON FORM MUST BE ON THE APPROVED QCP PRIOR TO THE AWARD POSTING DATE.

ALUMINUM Z-BAR

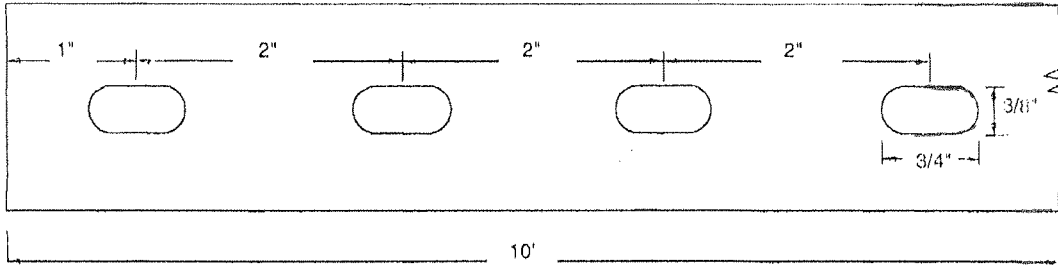
FRONT VIEW



SIDE VIEW

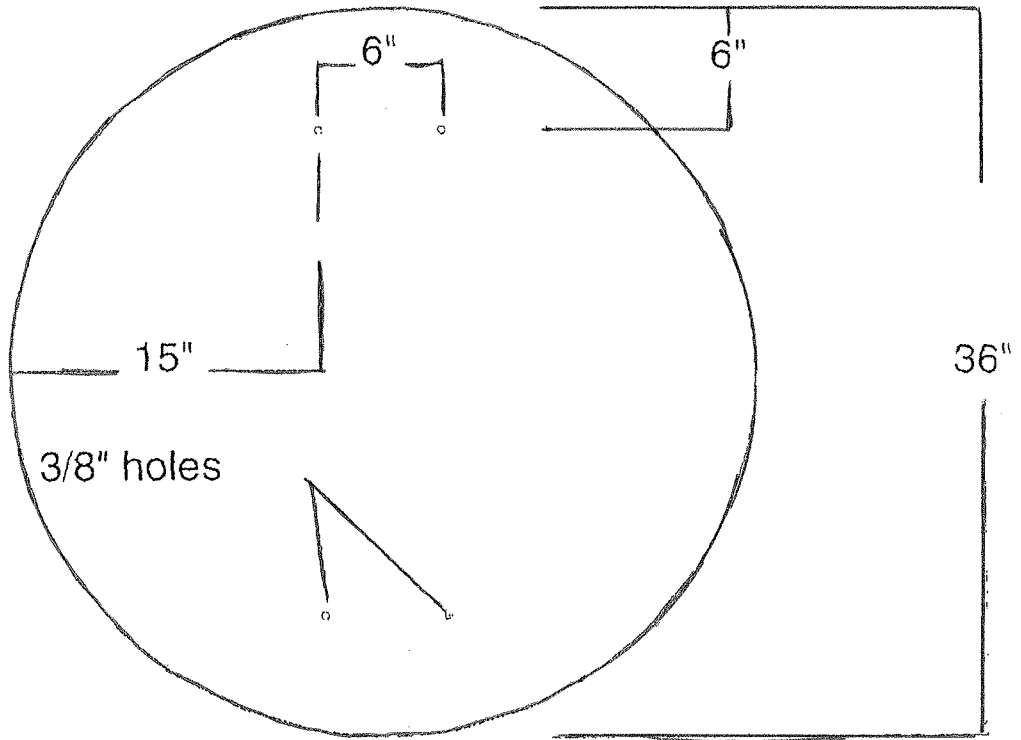


DRAWING #1

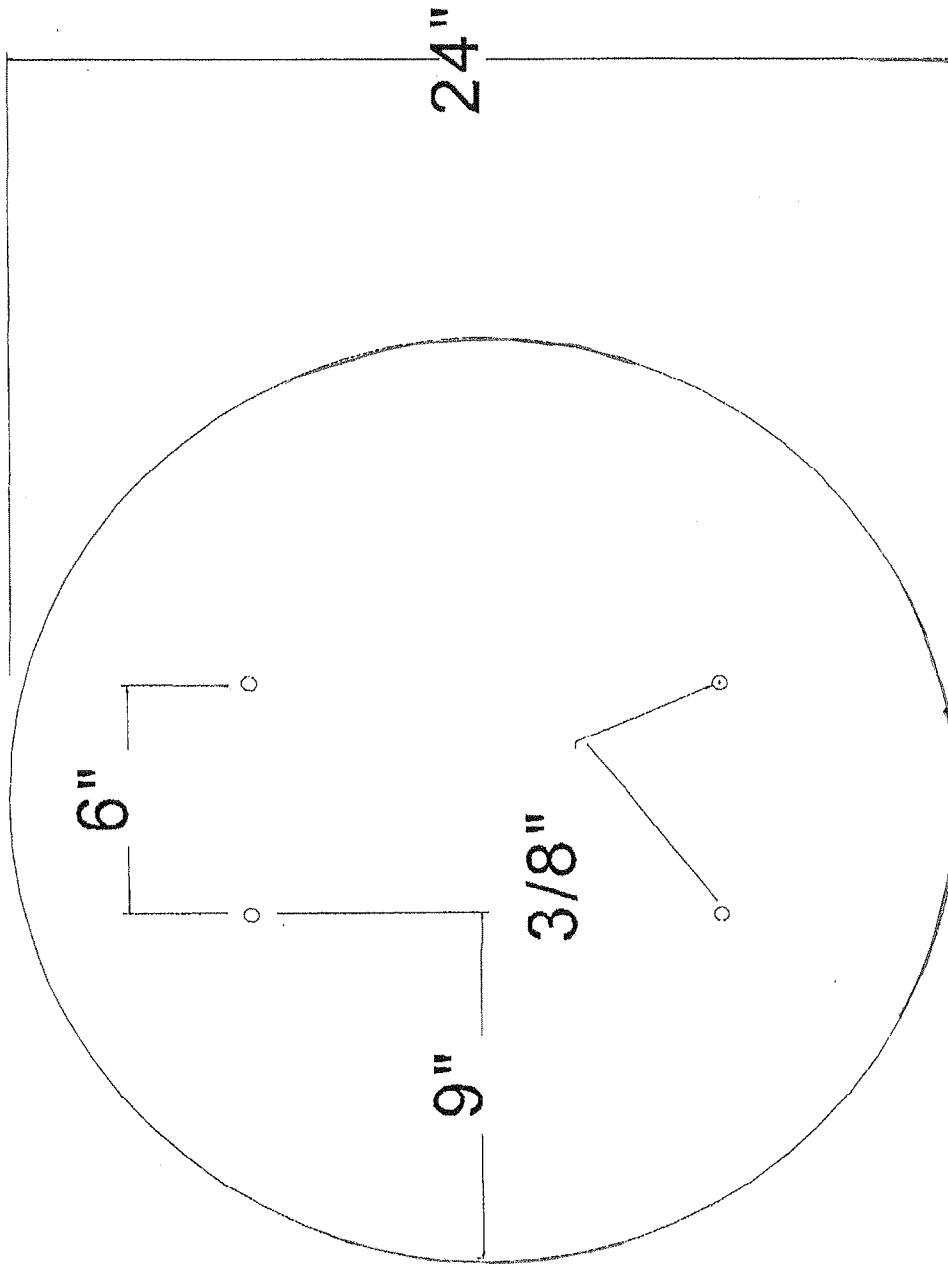


ALUMINUM ZEE BAR (DOT #208-560)
1 3/4" x 1 3/4" x 3/16" x 10'
ALLOY 6061-T6
RECTANGULAR HOLES PUNCHED ON ONE FLANGE
3/8" x 3/4" ON 2" CENTERS

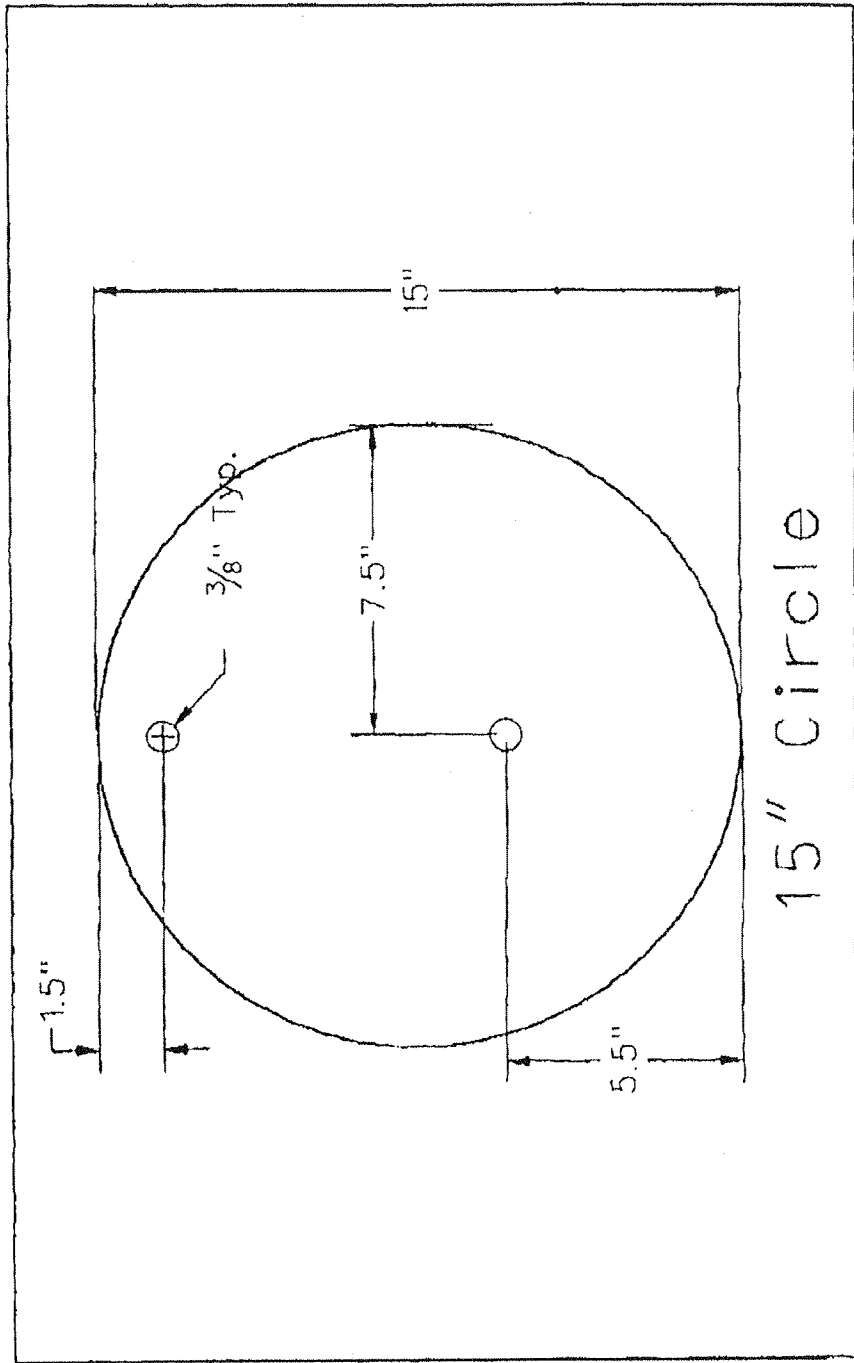
DRAWING #2



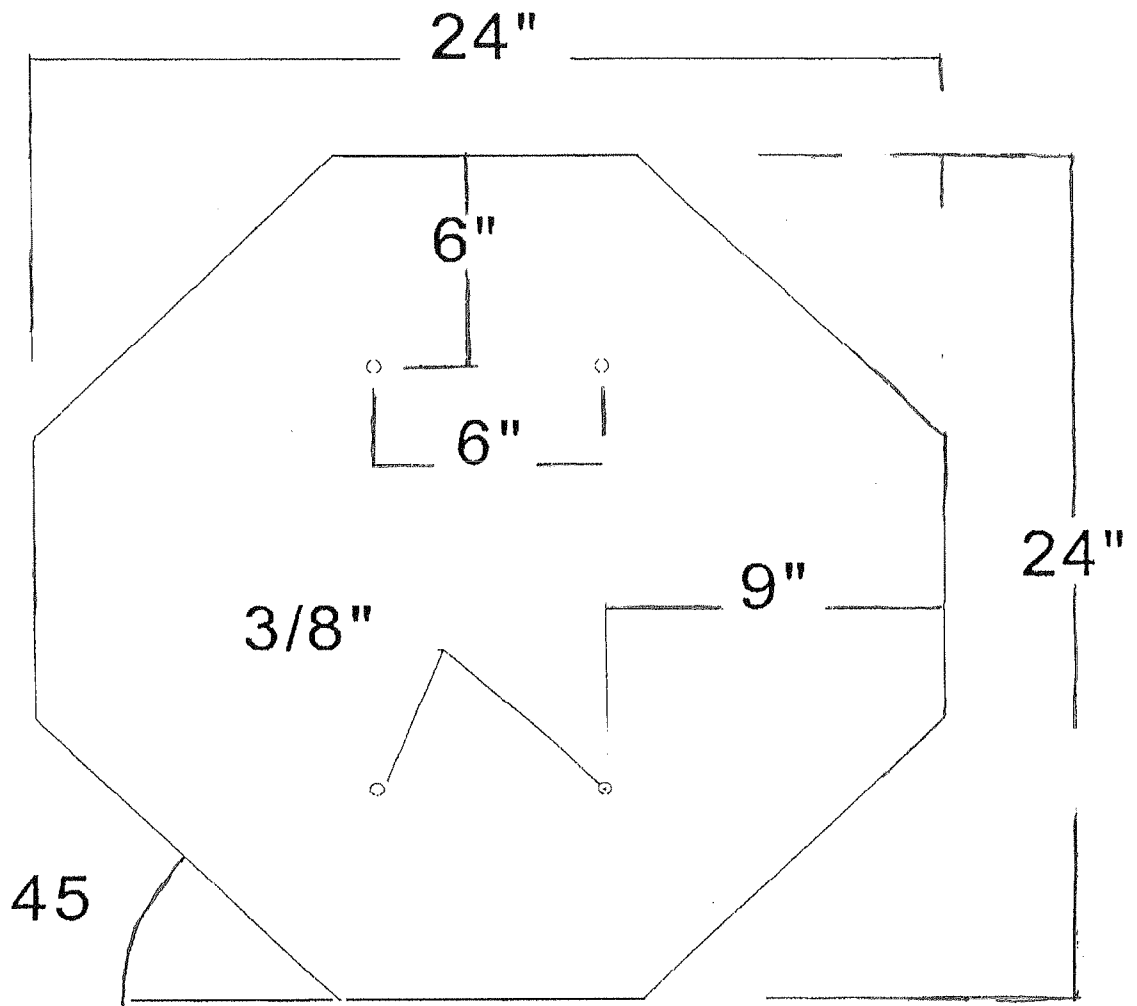
DRAWING # 3



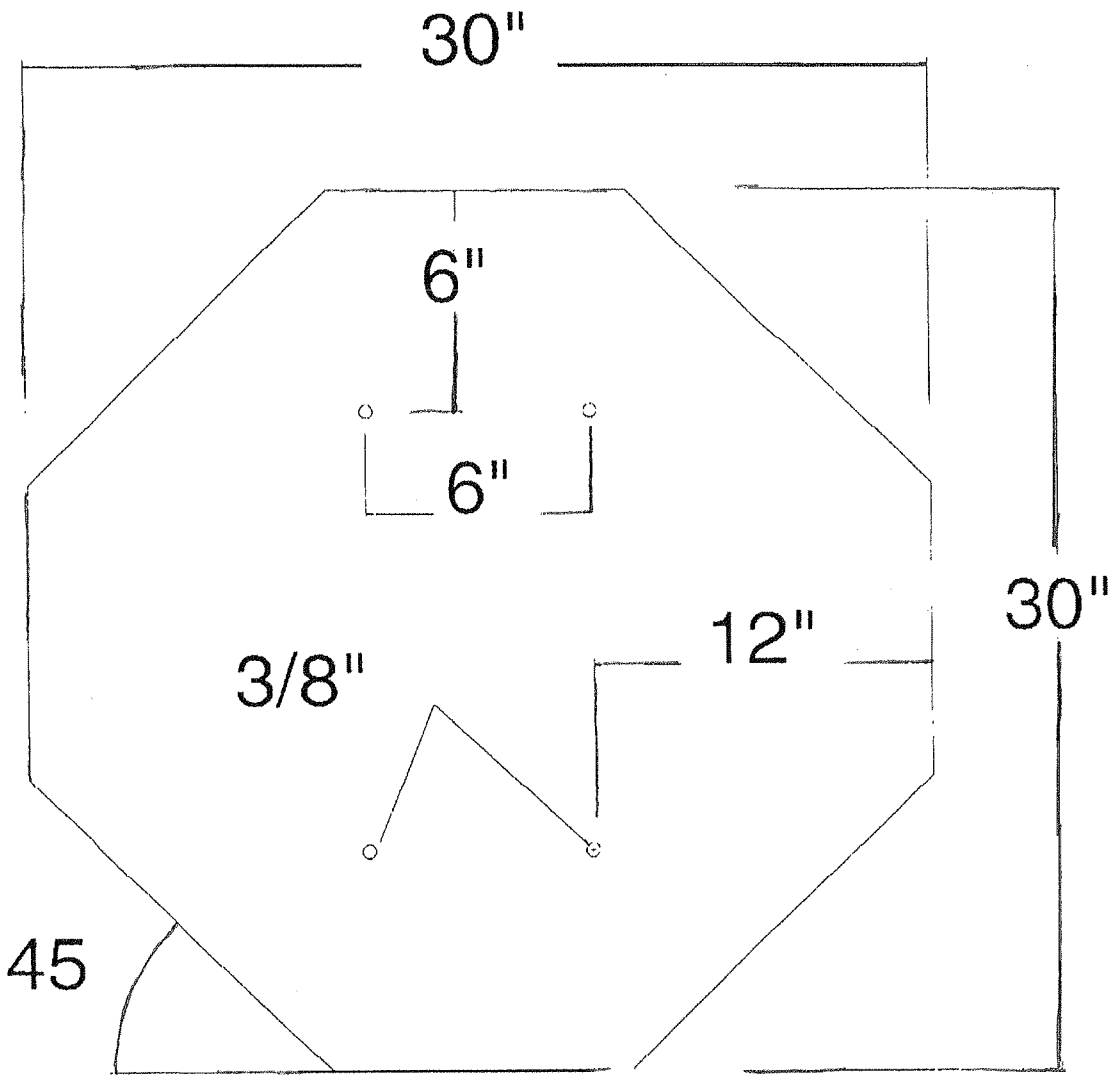
DRAWING #3a



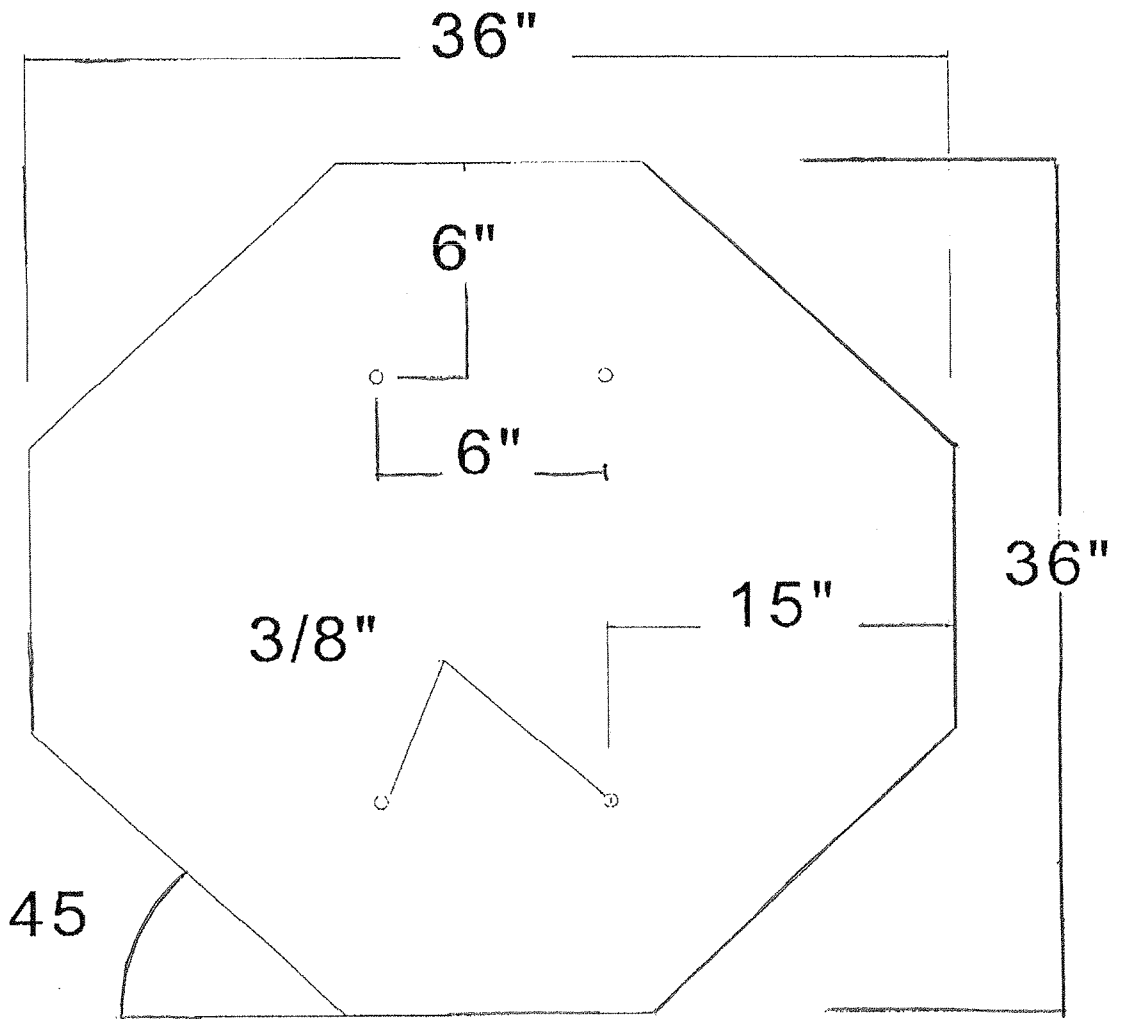
DRAWING #3b



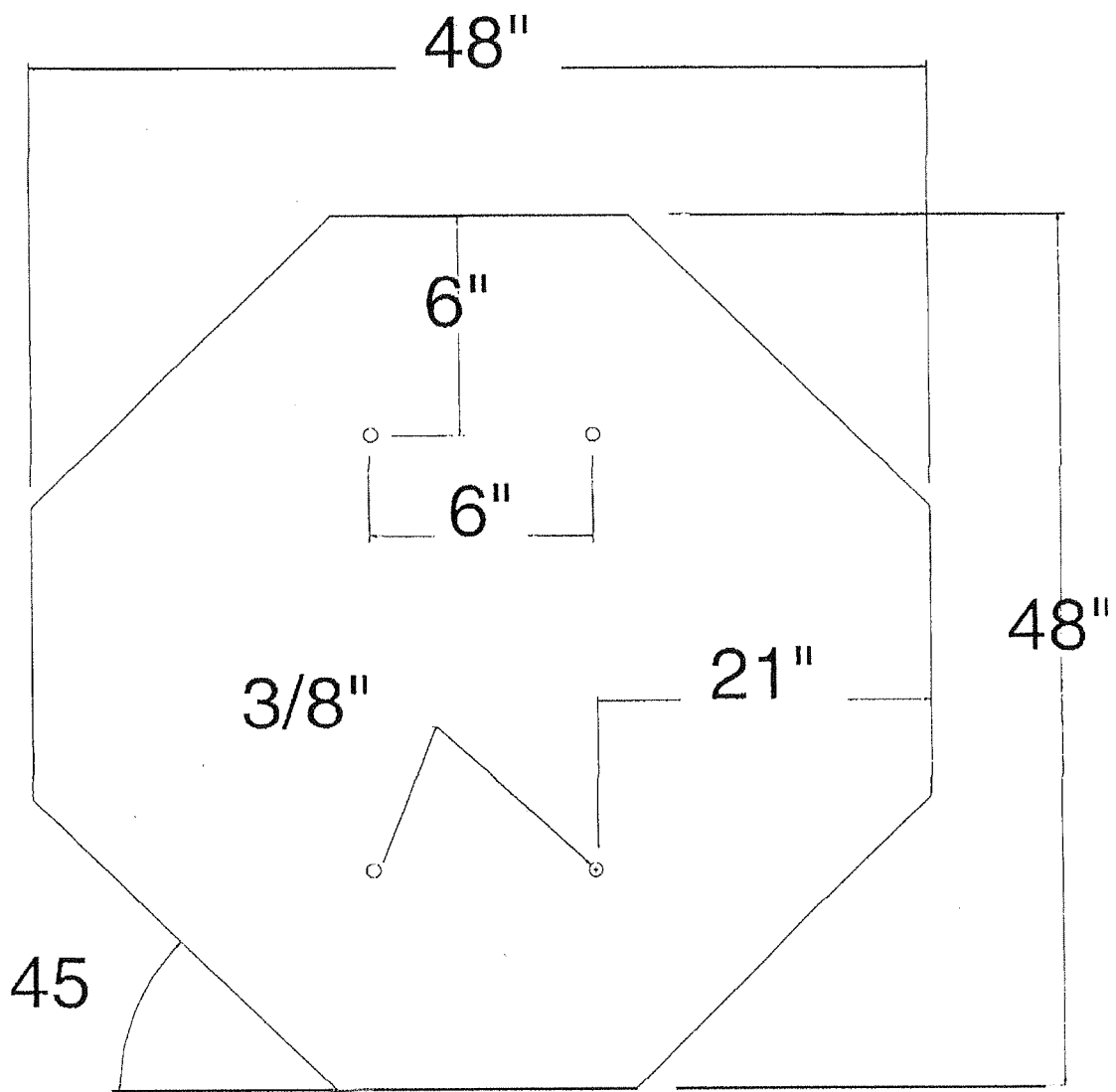
DRAWING #4



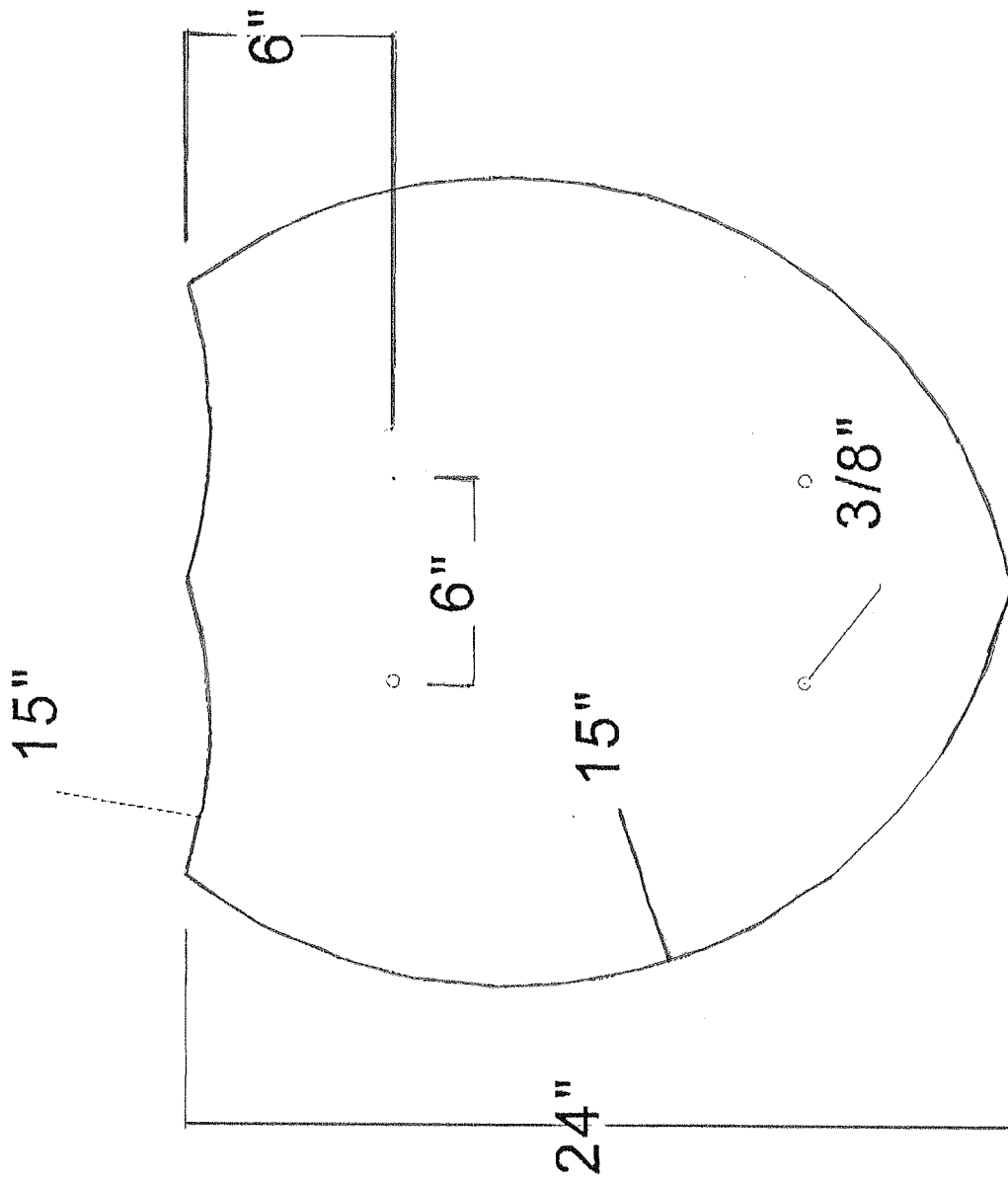
DRAWING #5



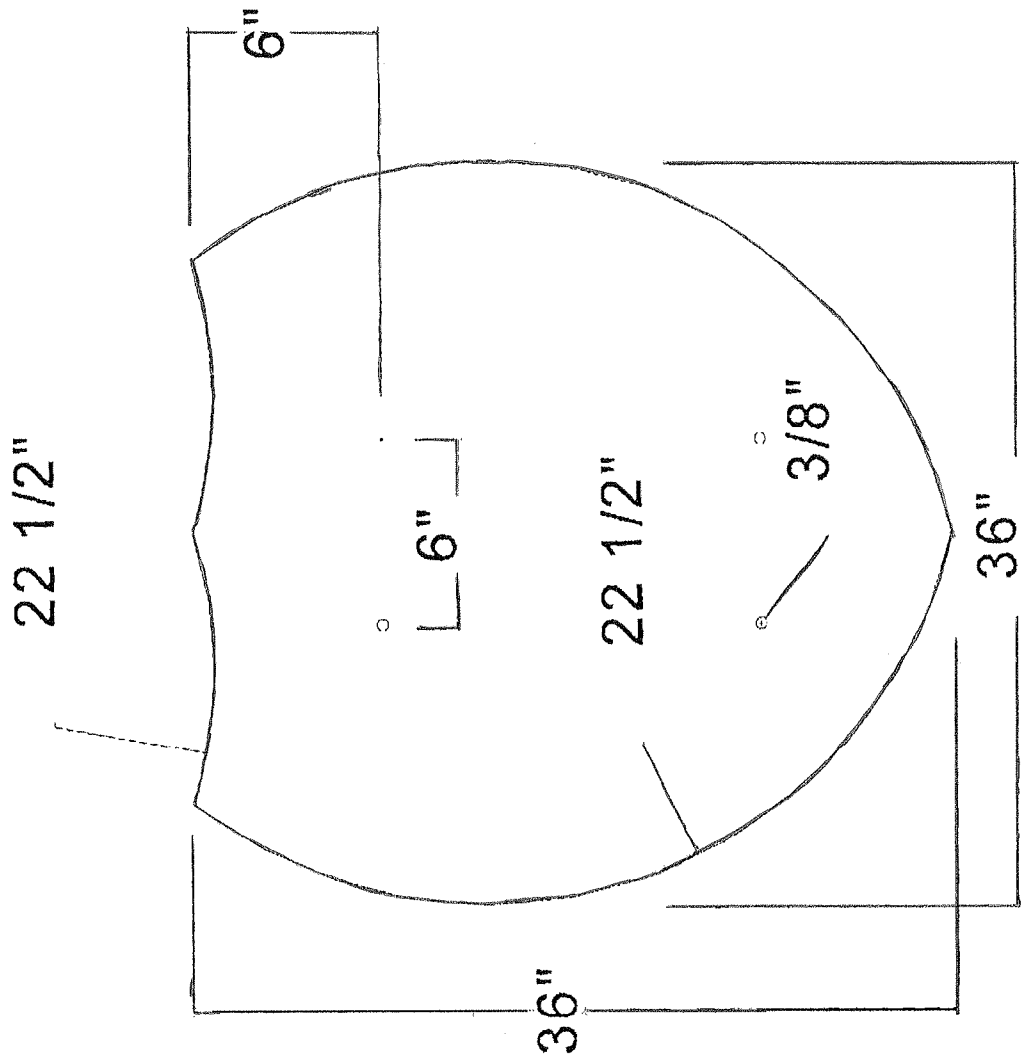
DRAWING #6



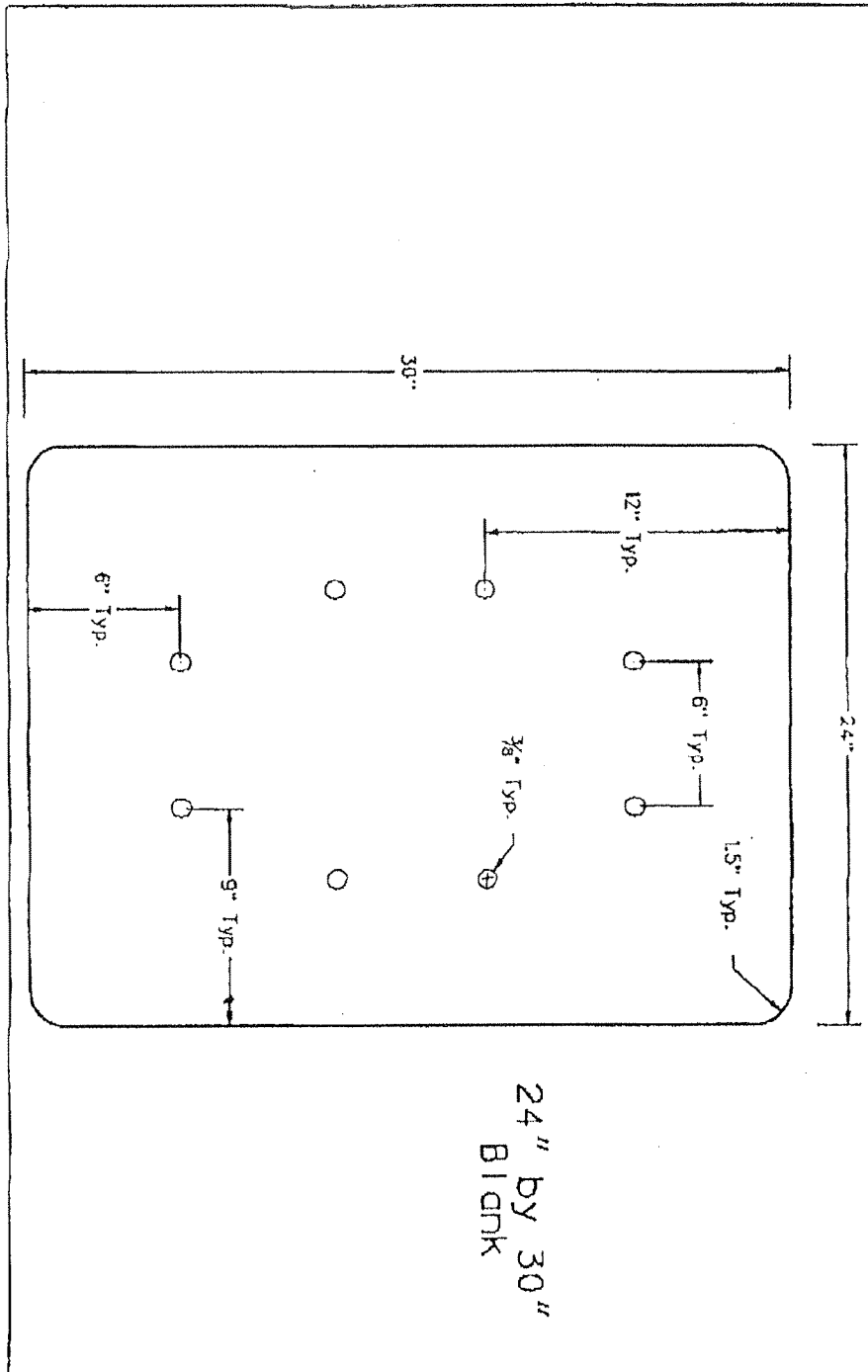
DRAWING #6a



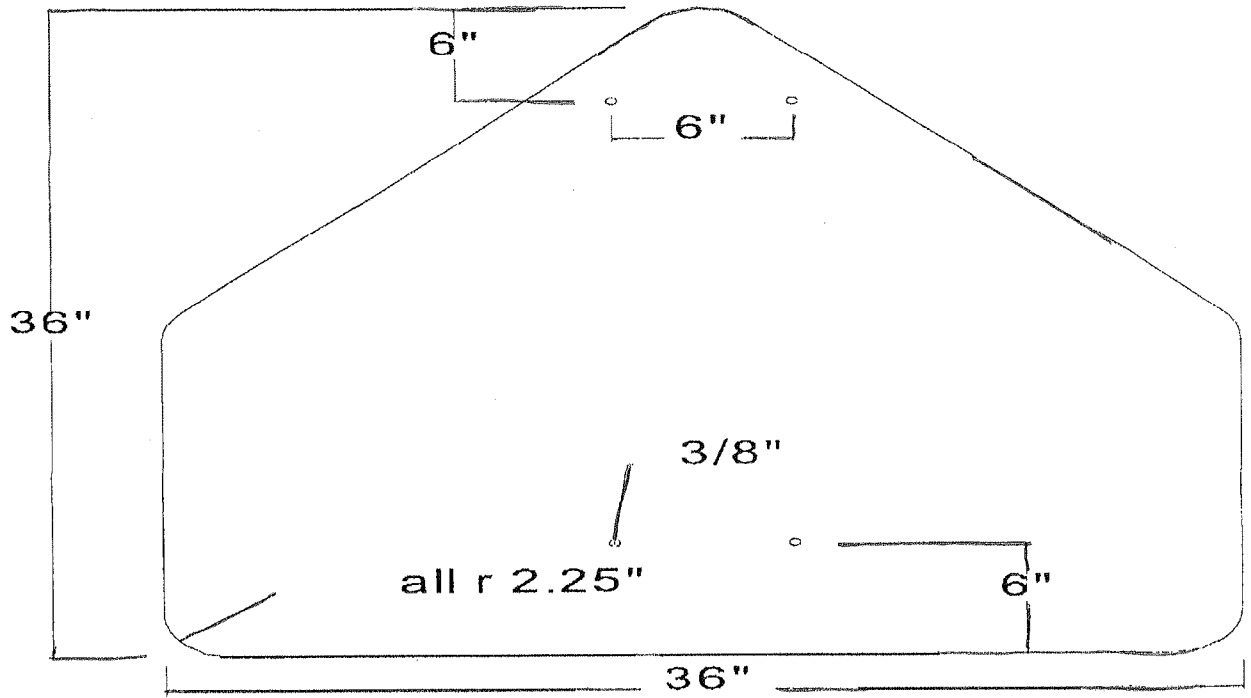
DRAWING # 7



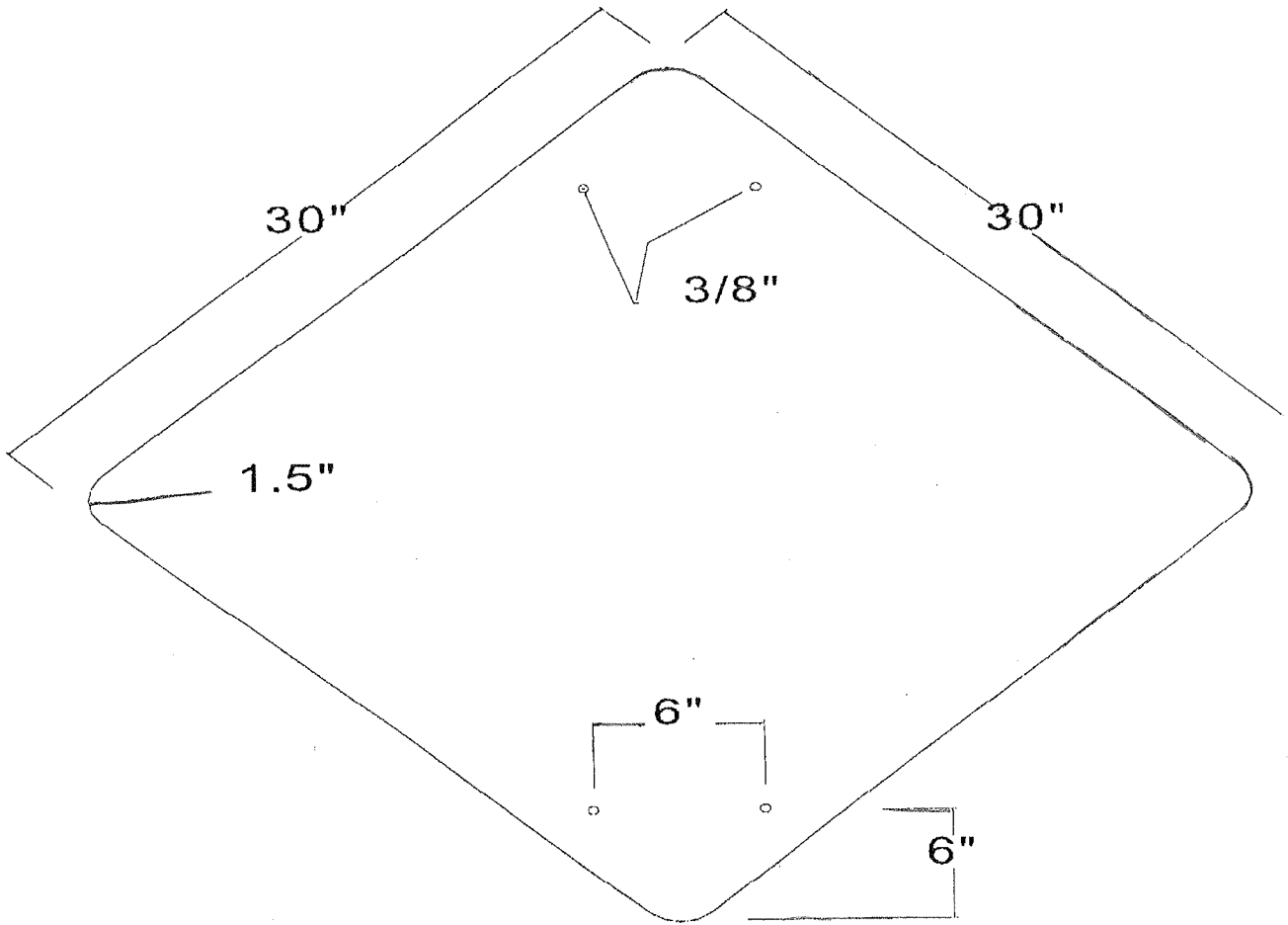
DRAWING # 7a



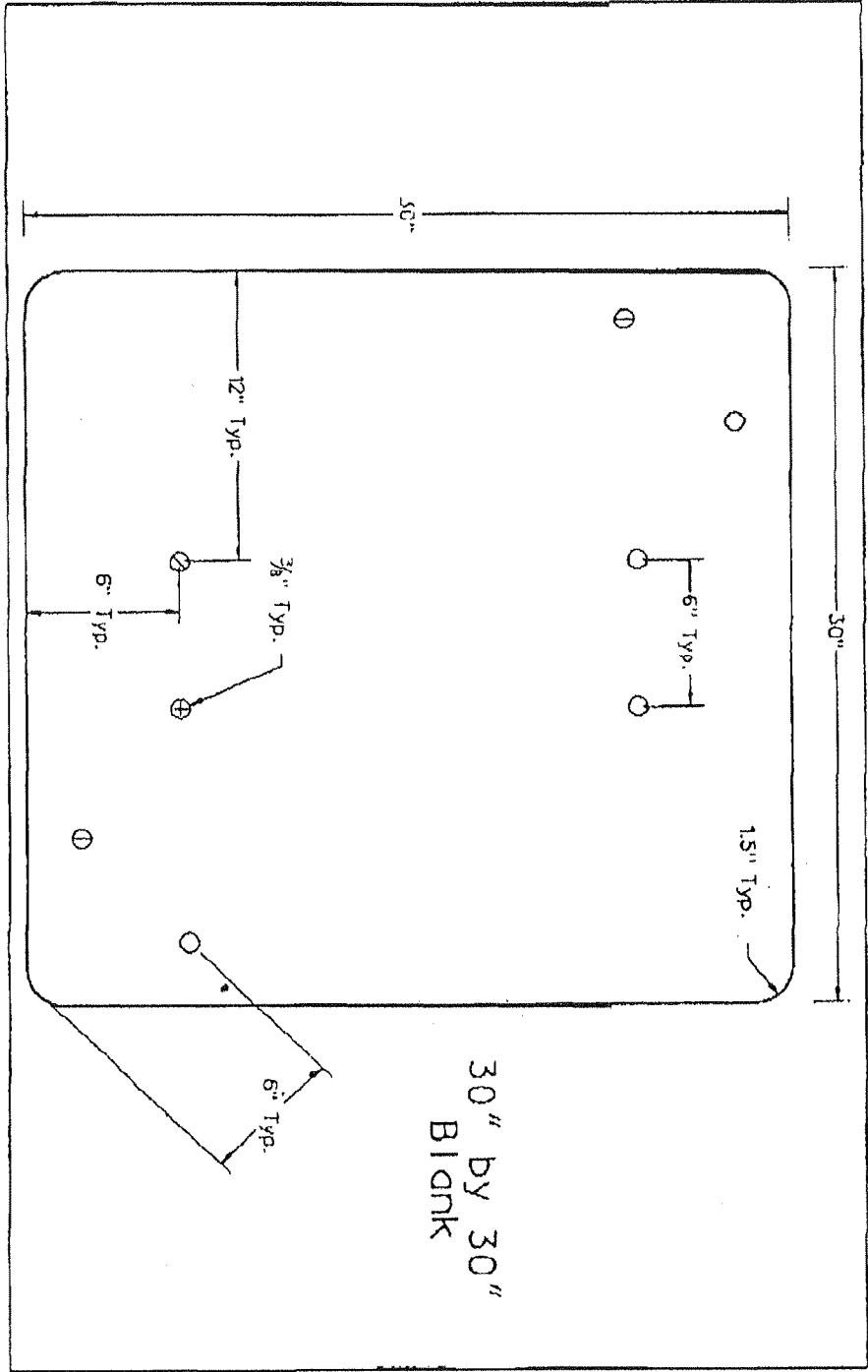
DRAWING # 8



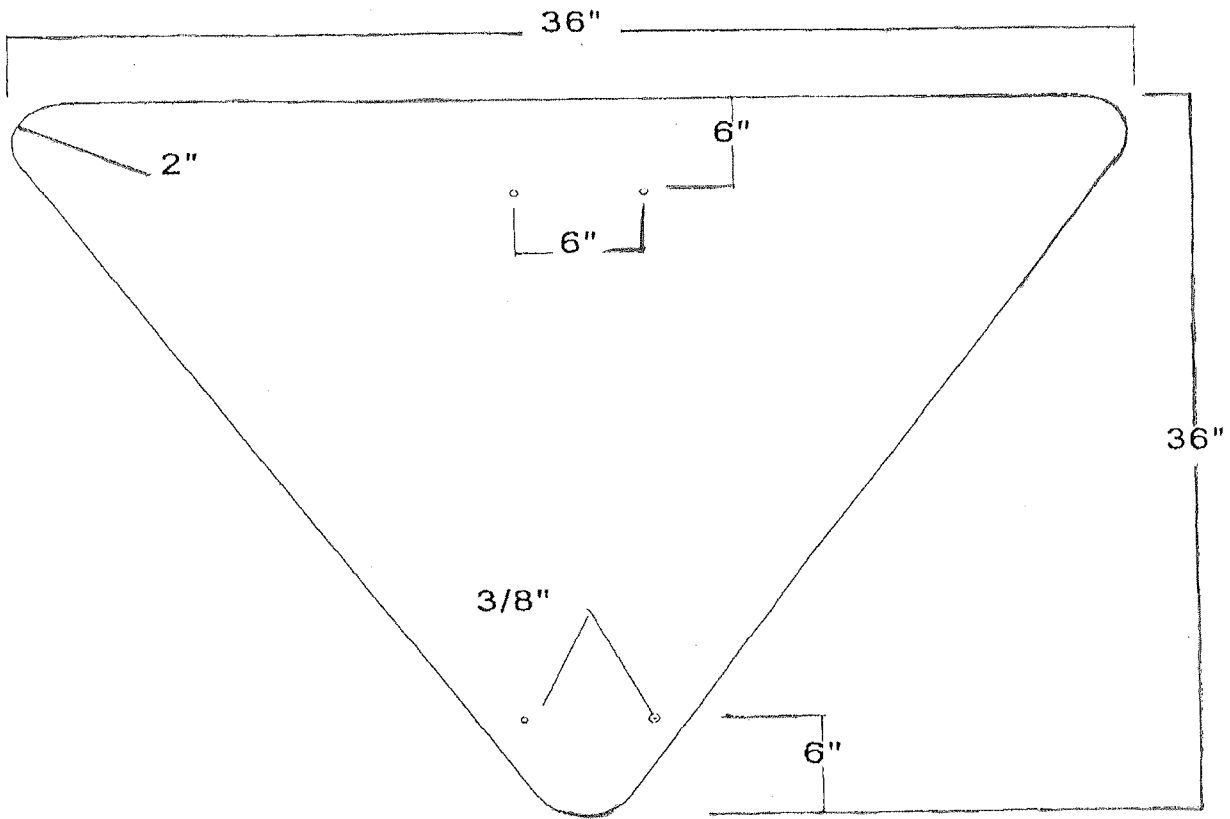
DRAWING #9



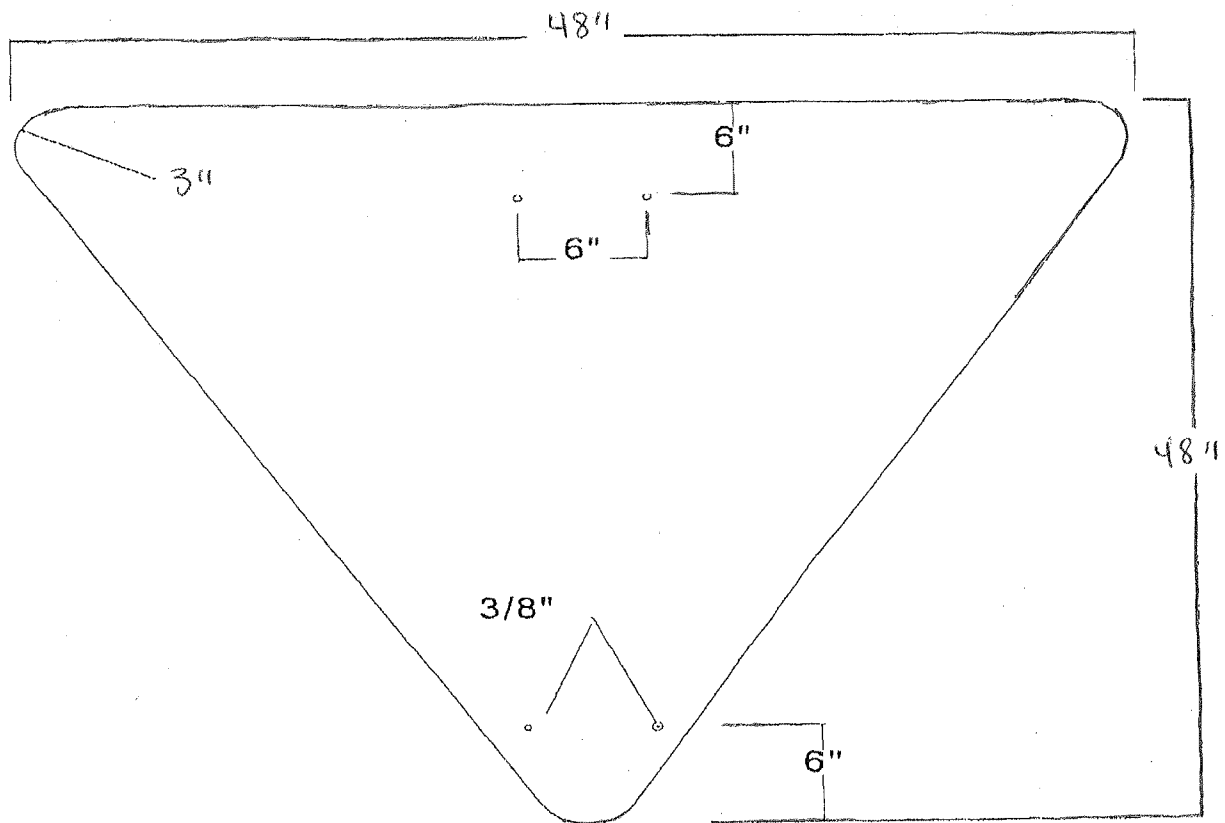
DRAWING #10



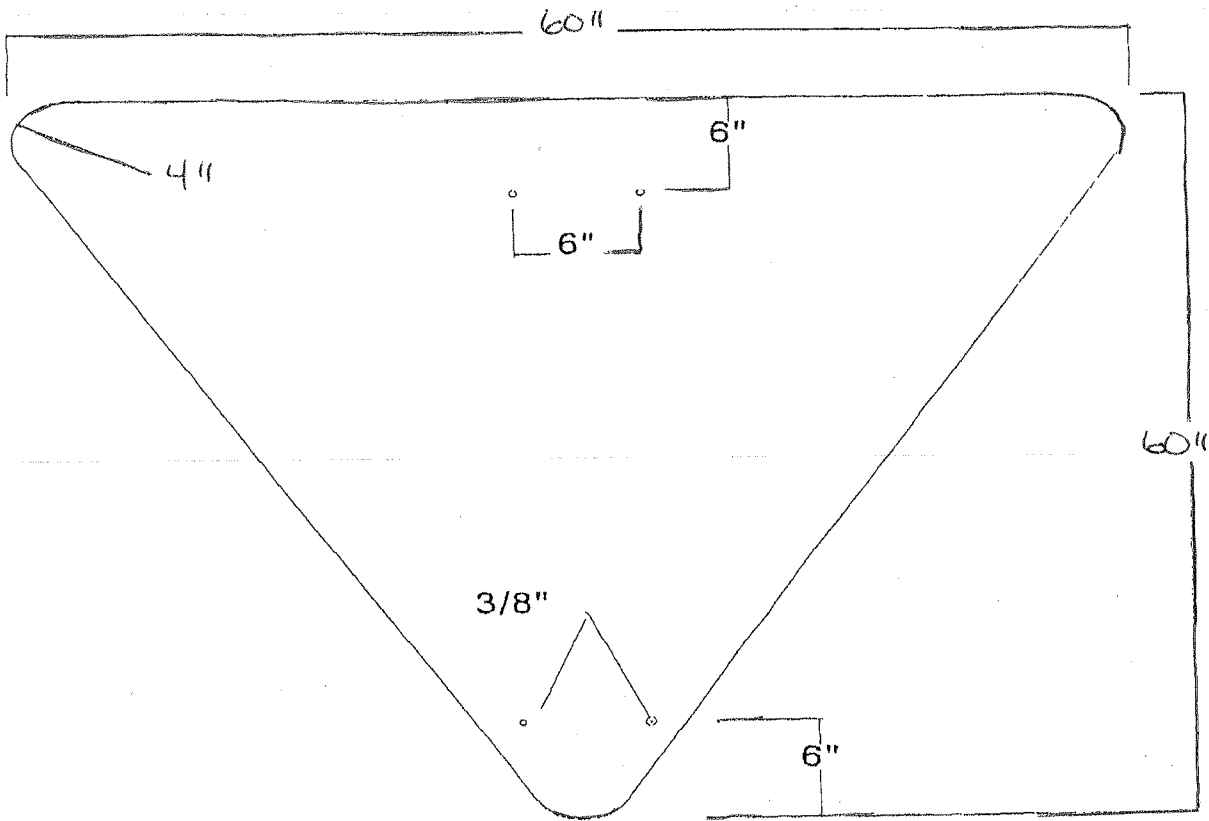
DRAWING # 11



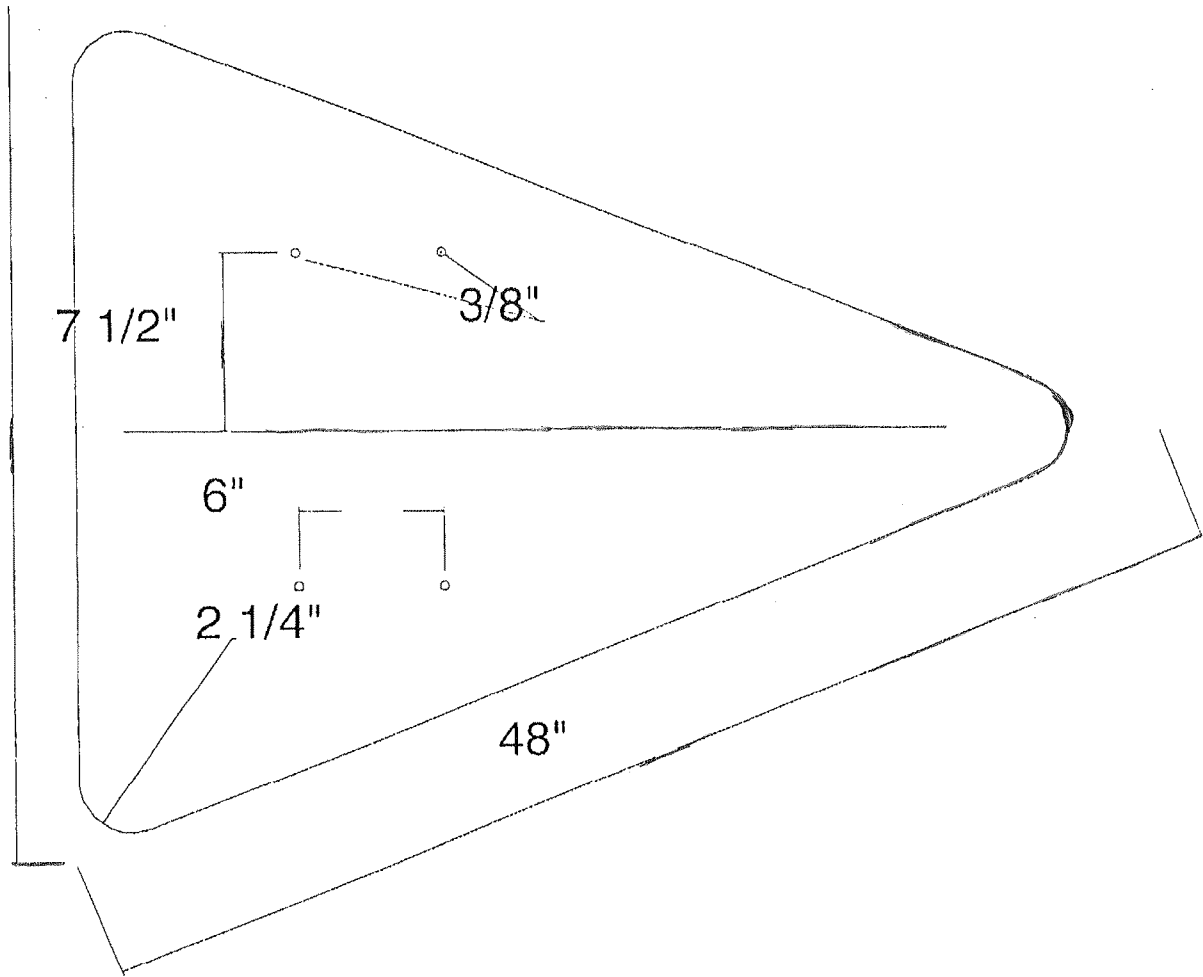
DRAWING #12 A



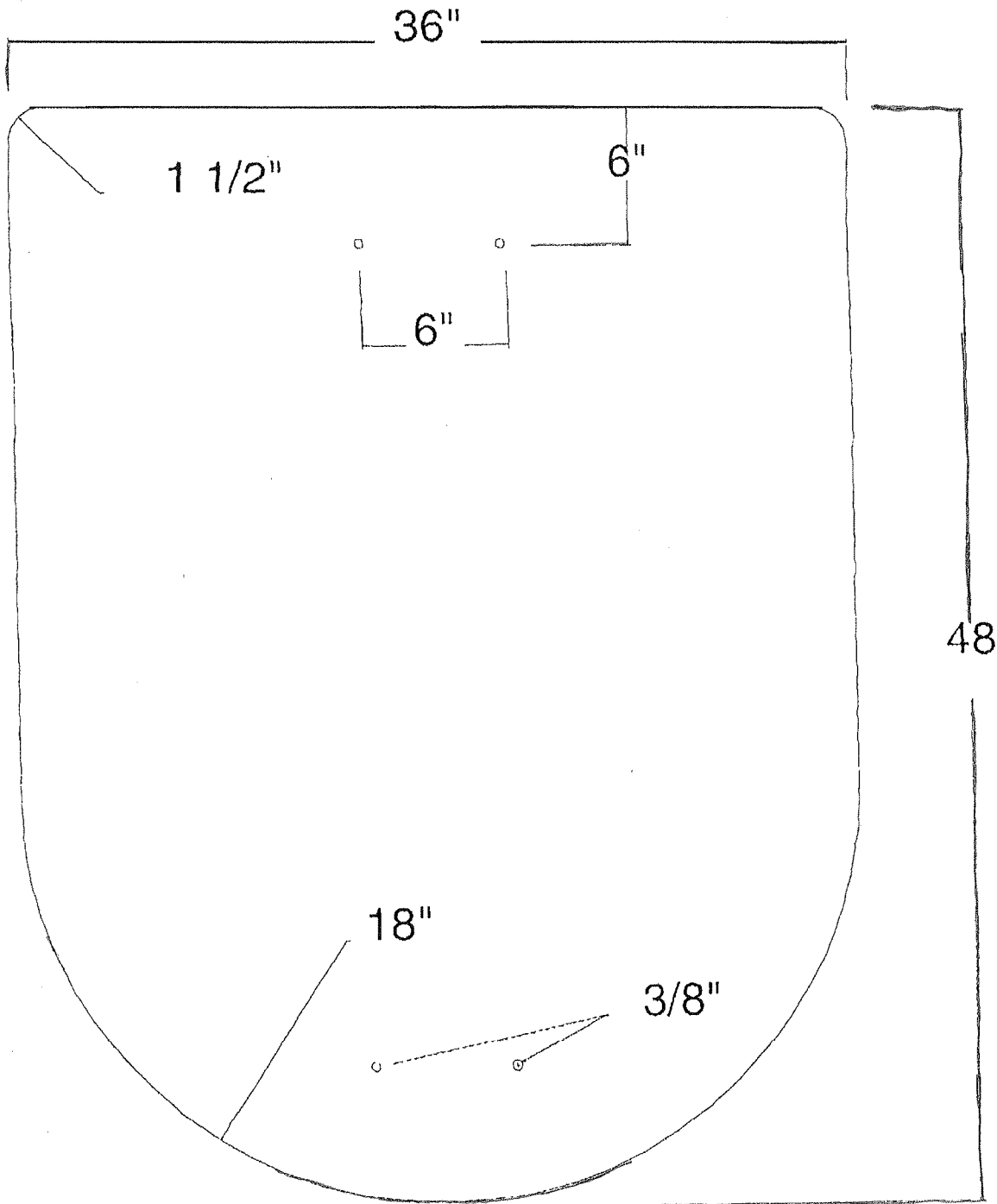
DRAWING #126



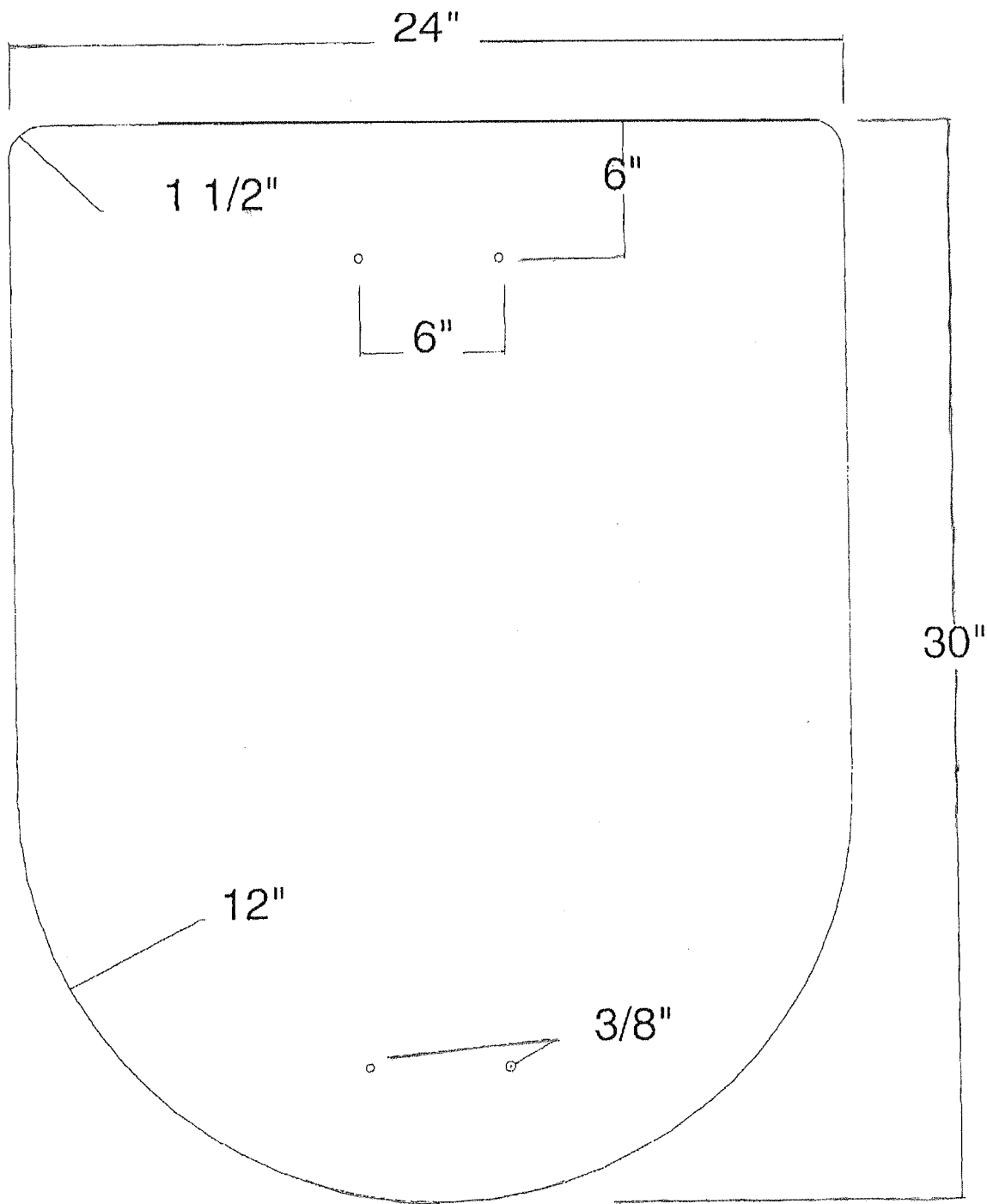
DRAWING # 120



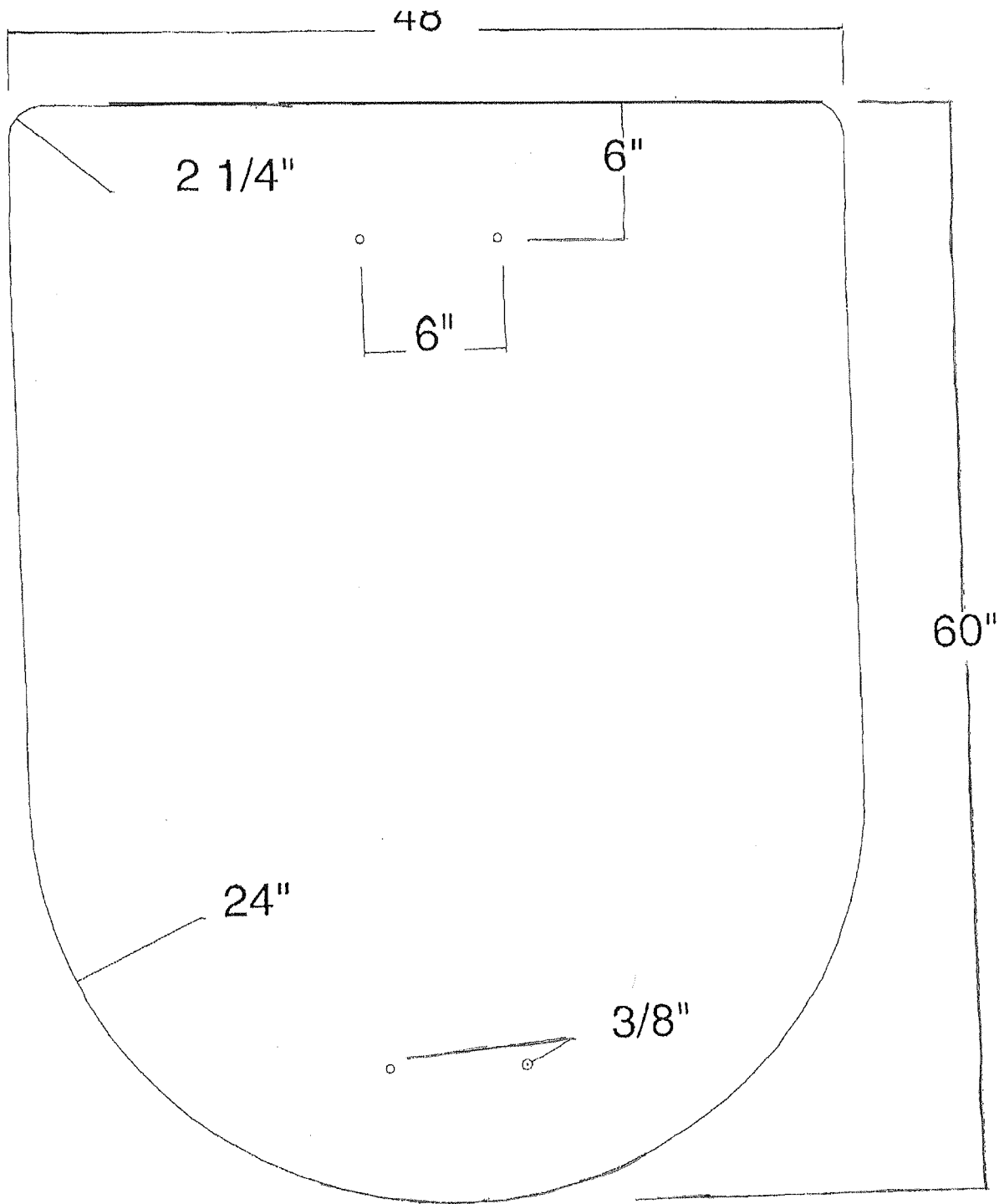
DRAWING #13



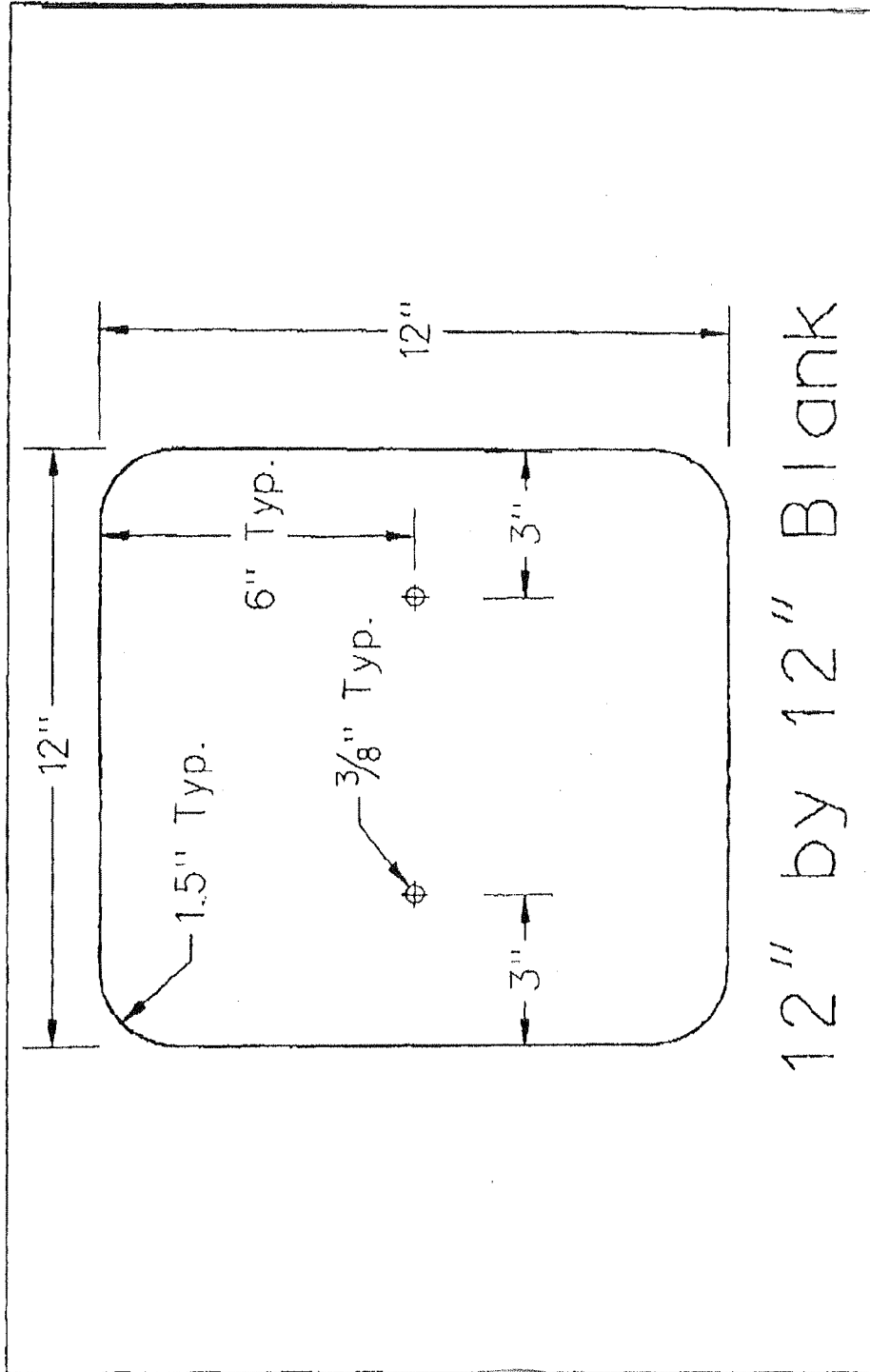
DRAWING #14



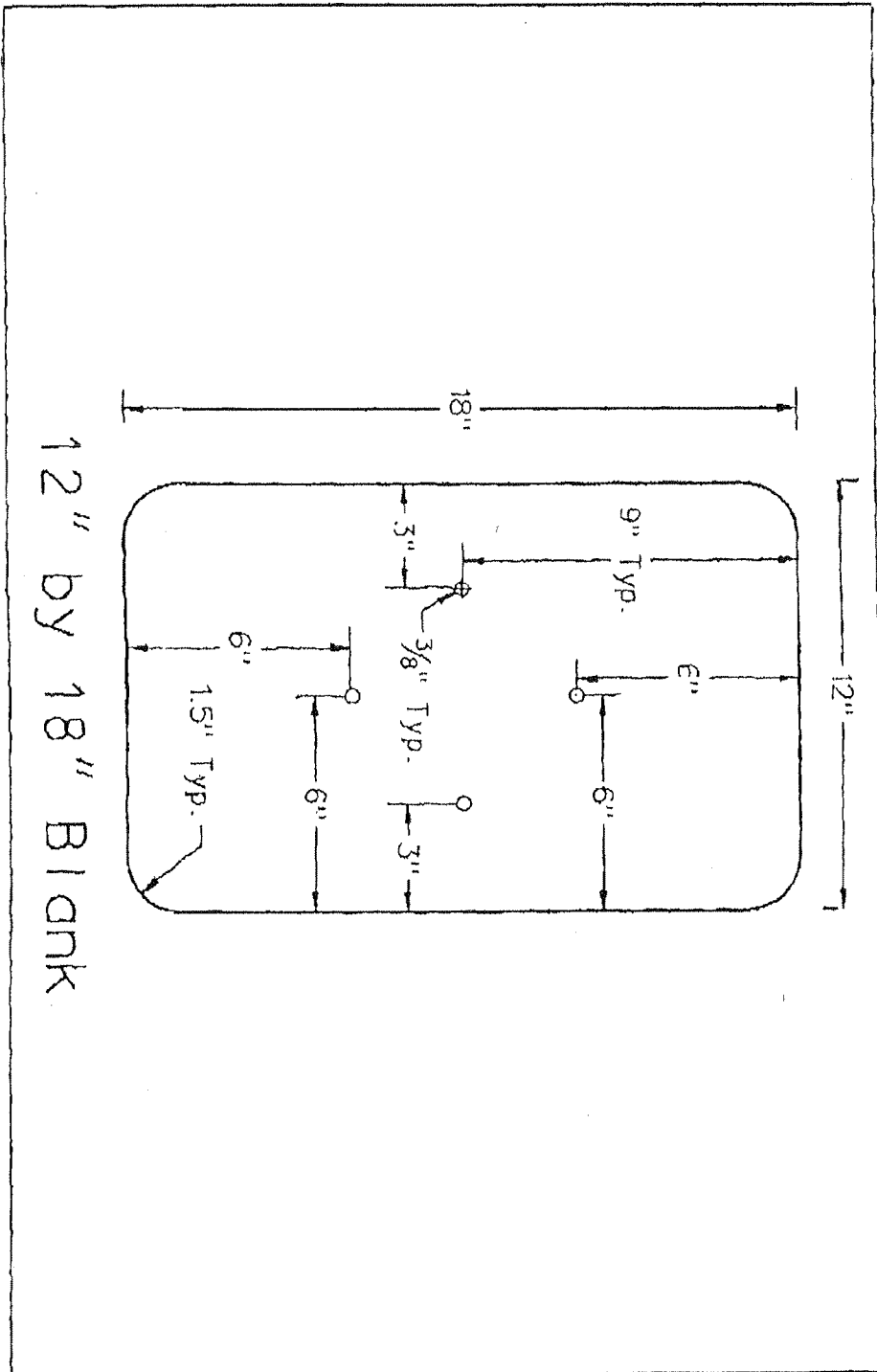
DRAWING #15



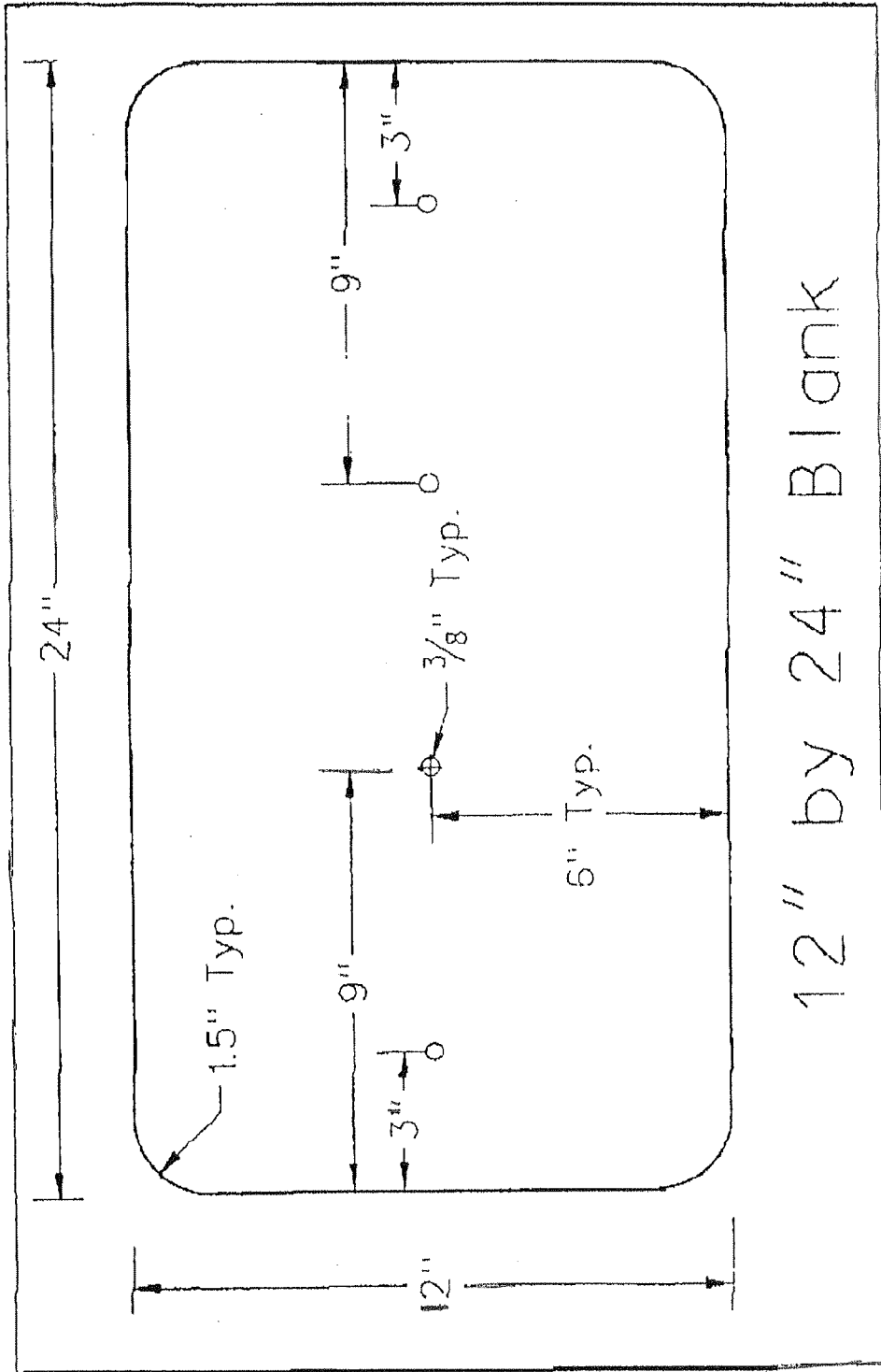
DRAWING # 16



DRAWING # 17

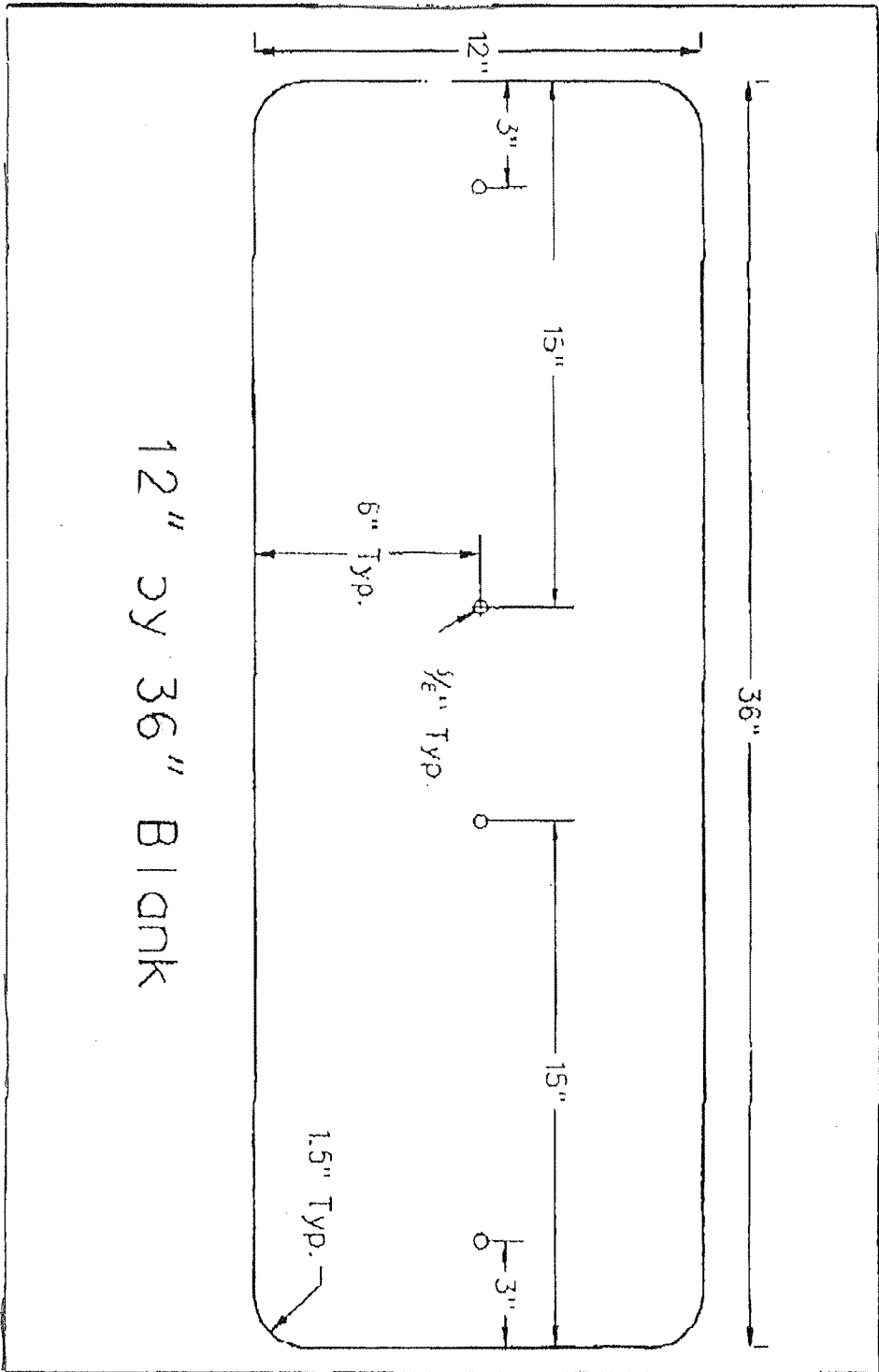


DRAWING # 18

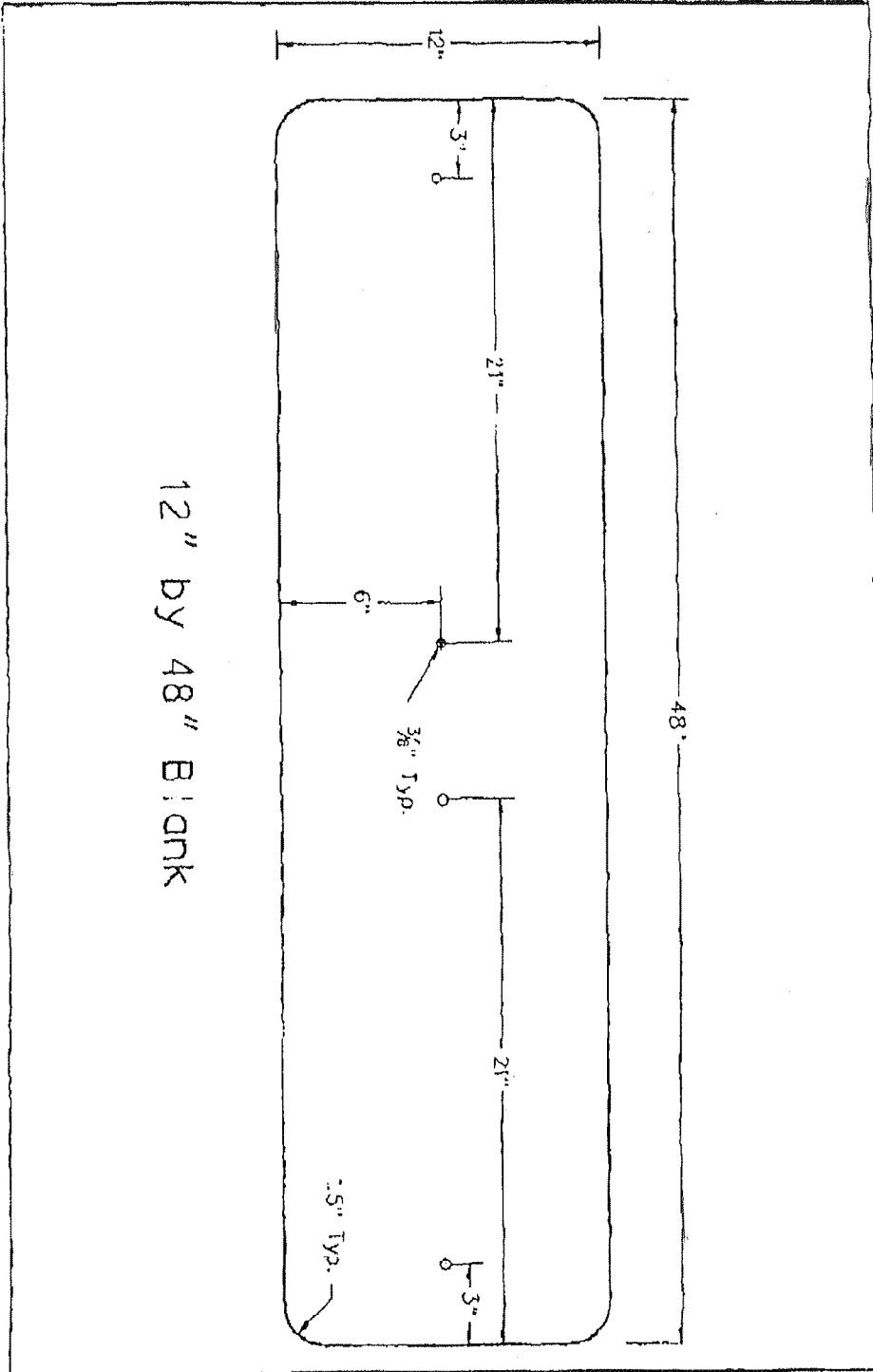


12" by 24" Blank

DRAWING # 19

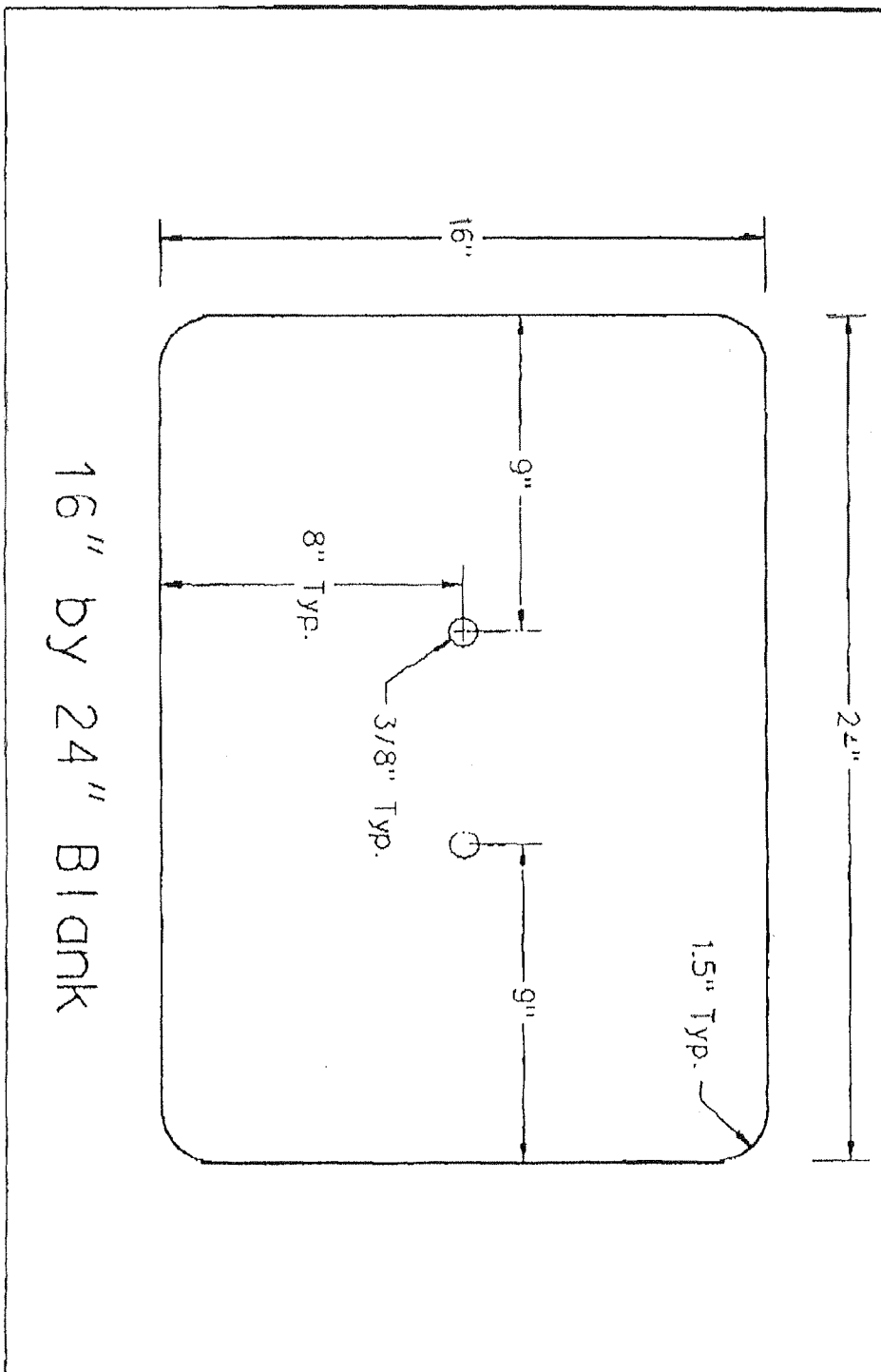


DRAWING # 20

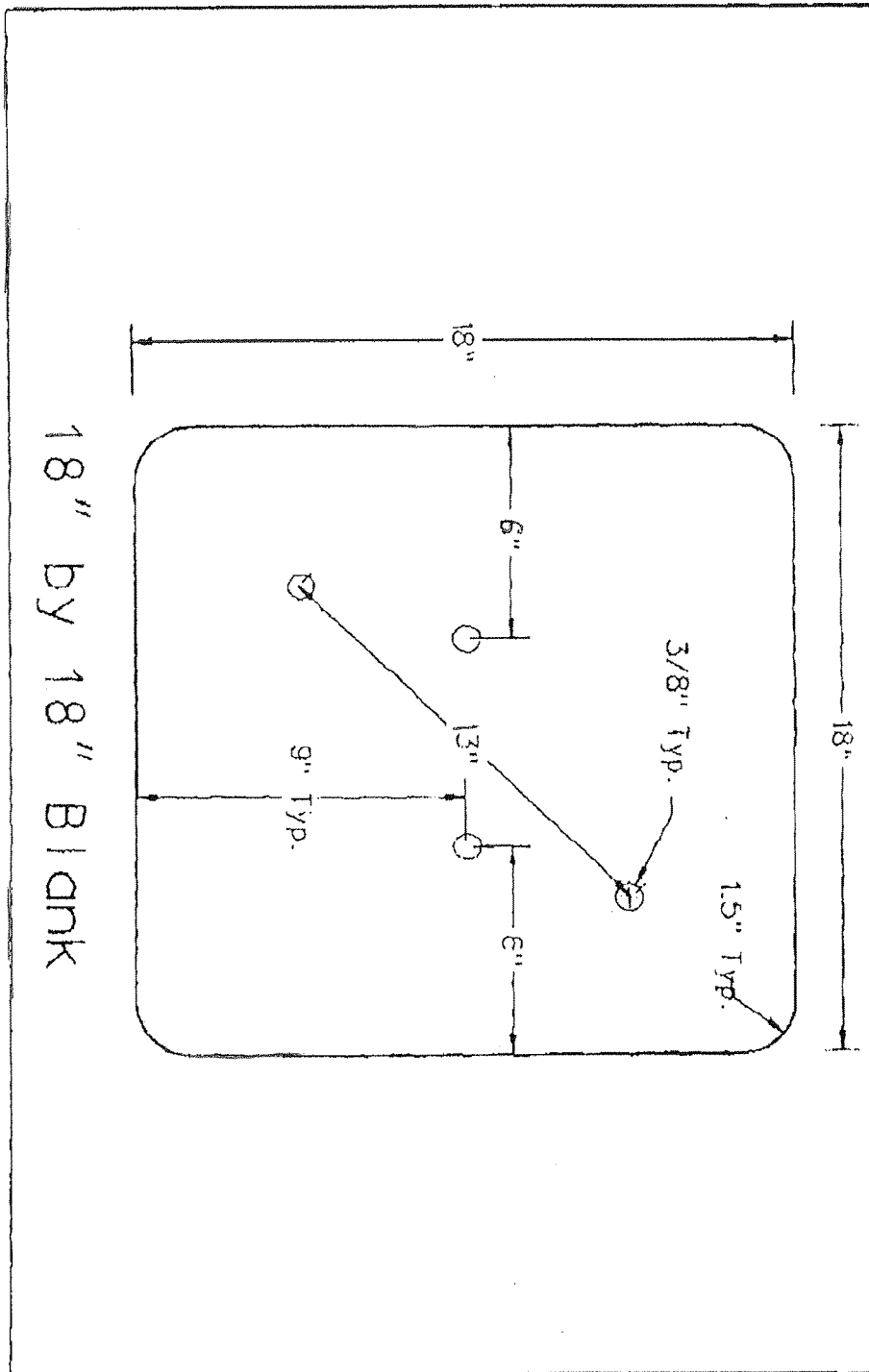


12" by 48" Blank

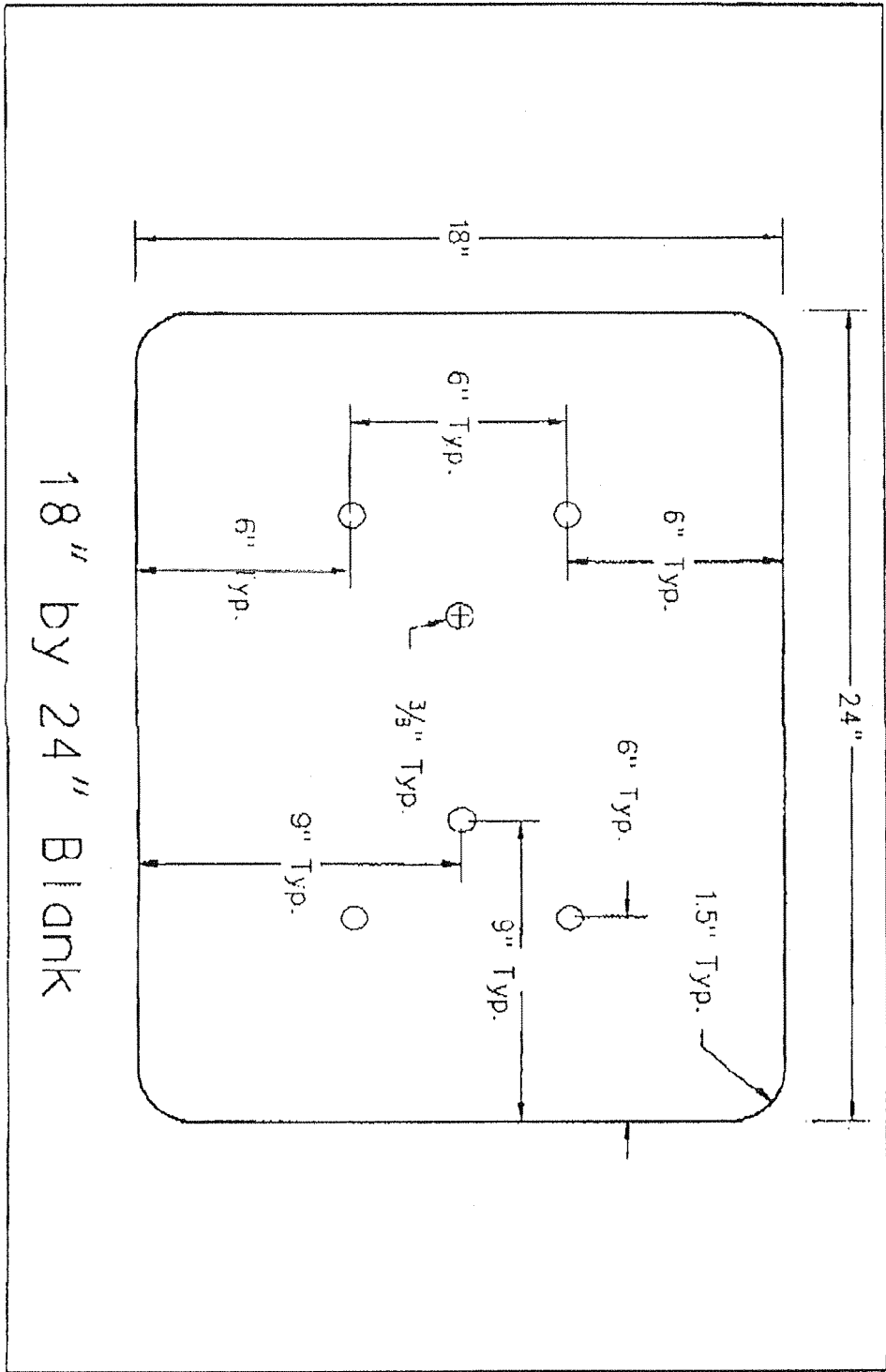
DRAWING #21



DRAWING #22

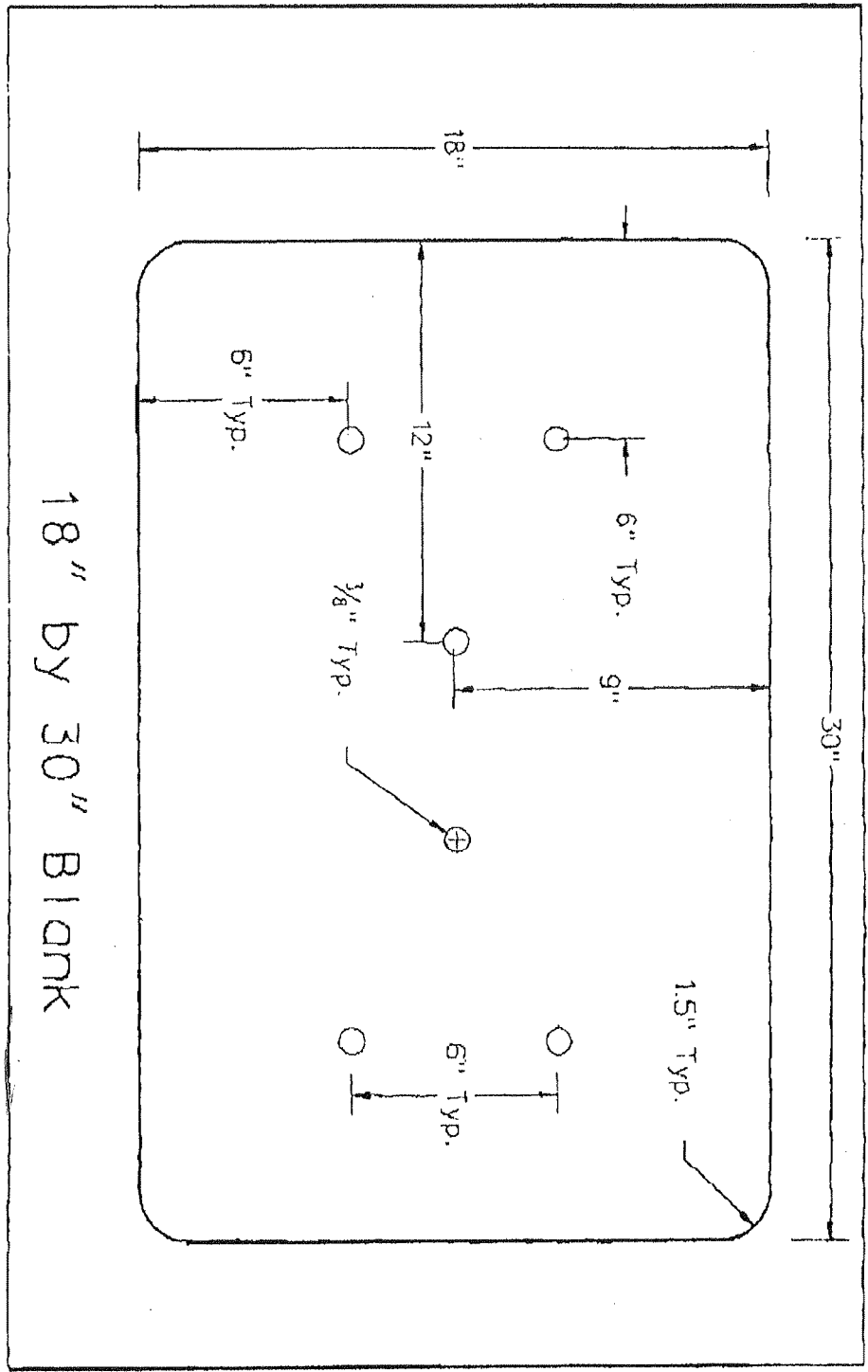


DRAWING #23



18" by 24" Blank

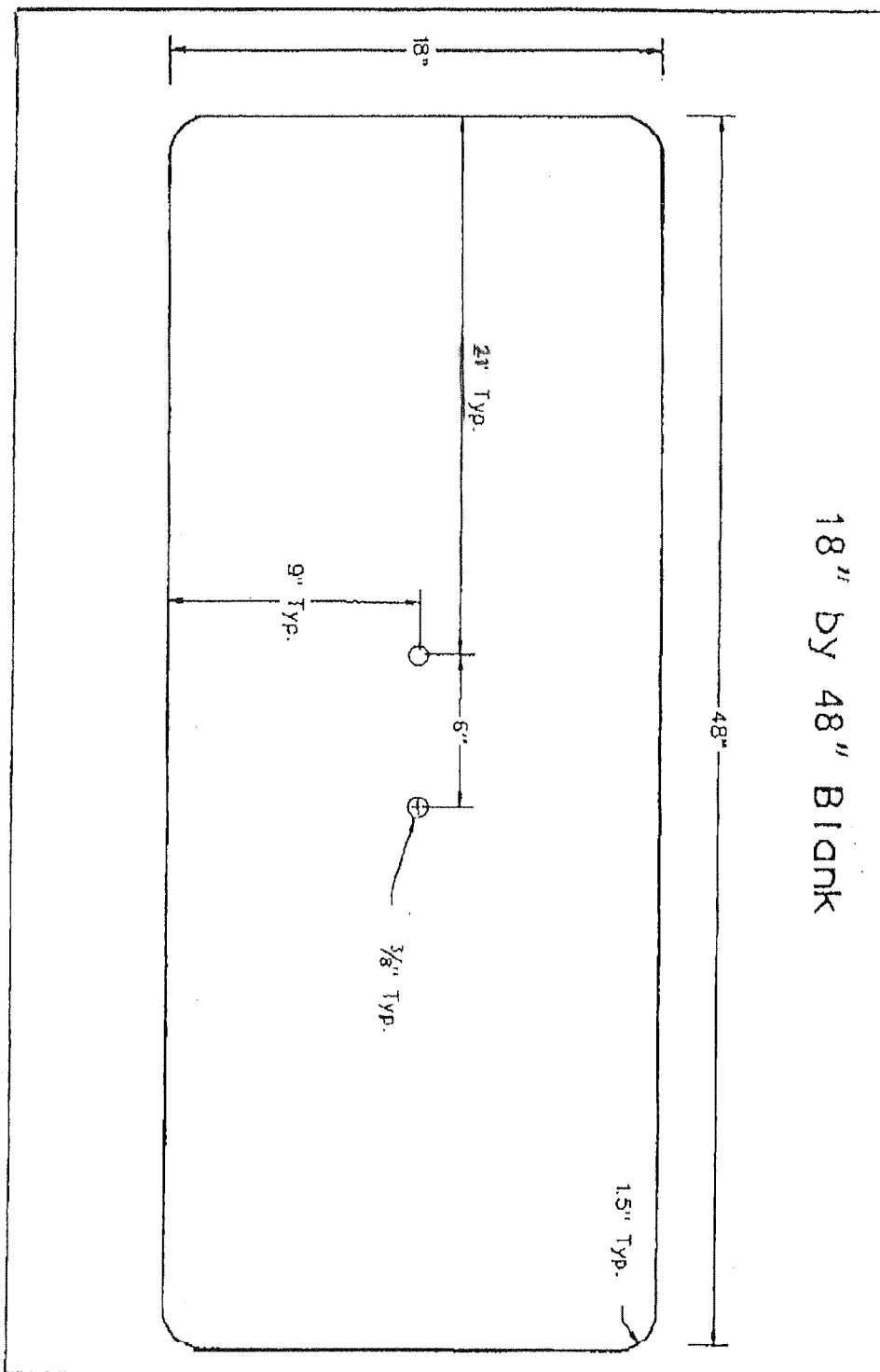
DRAWING #24



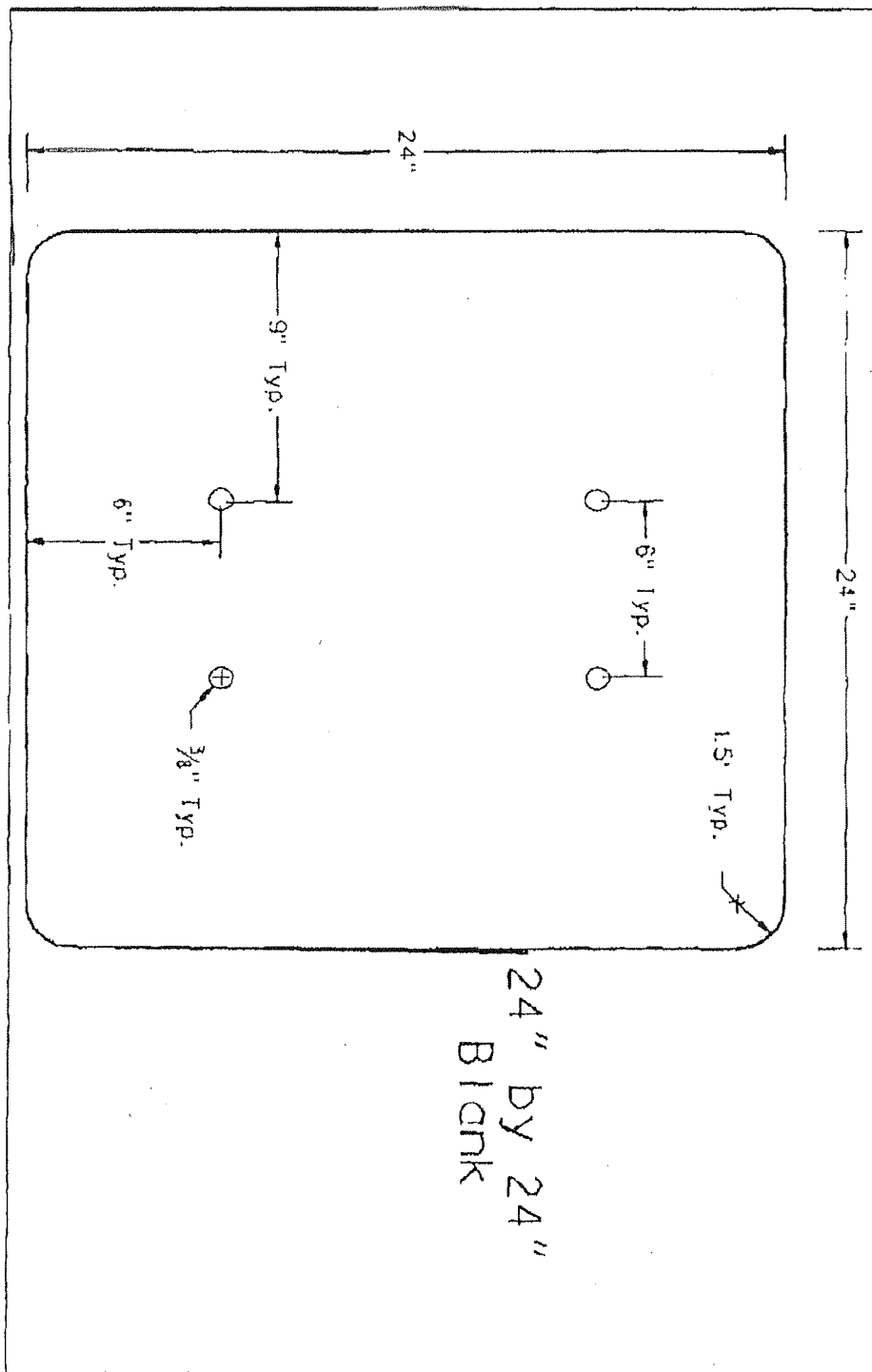
18" by 30" Blank

DRAWING #25

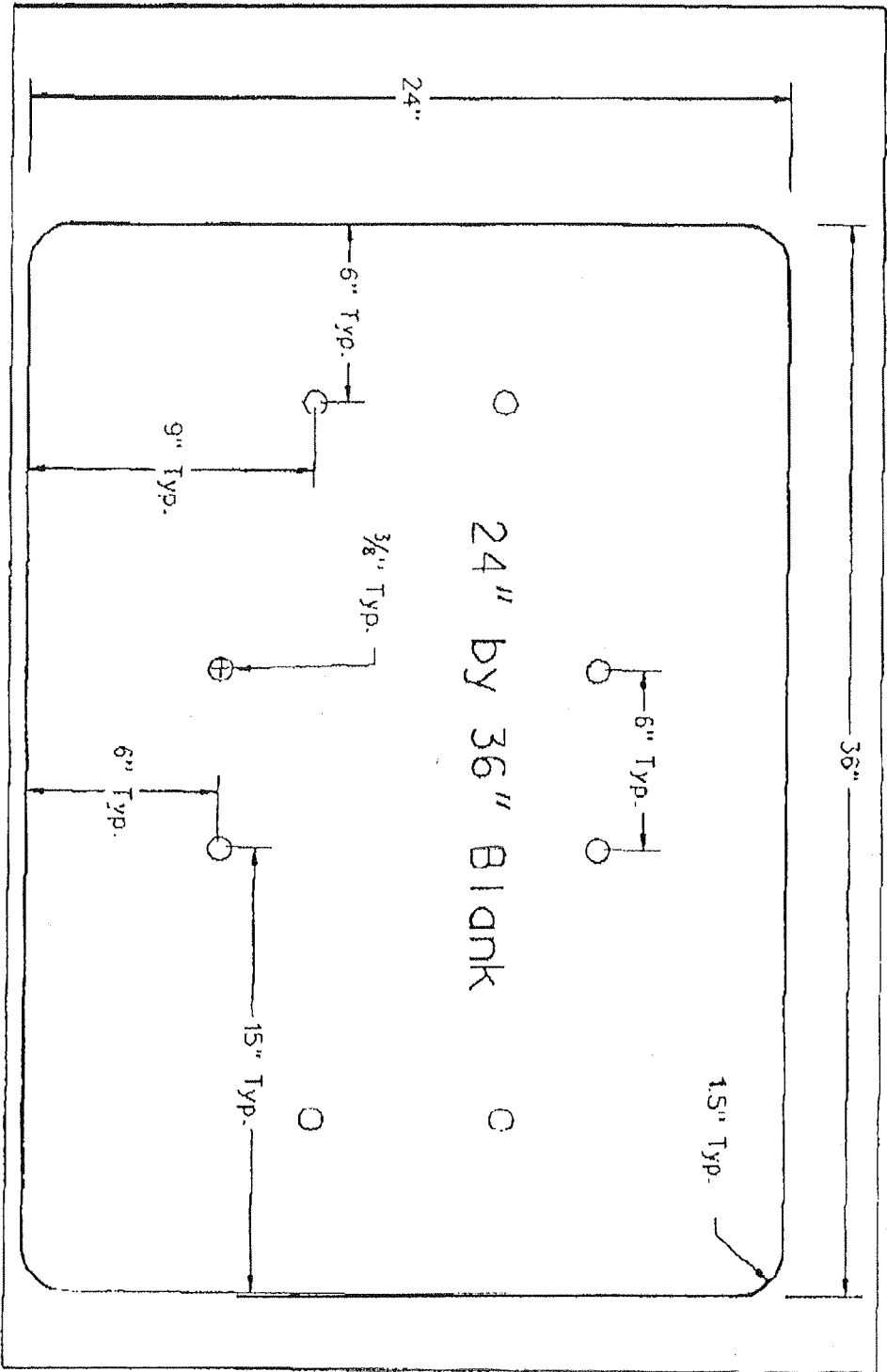
18" by 48" Blank



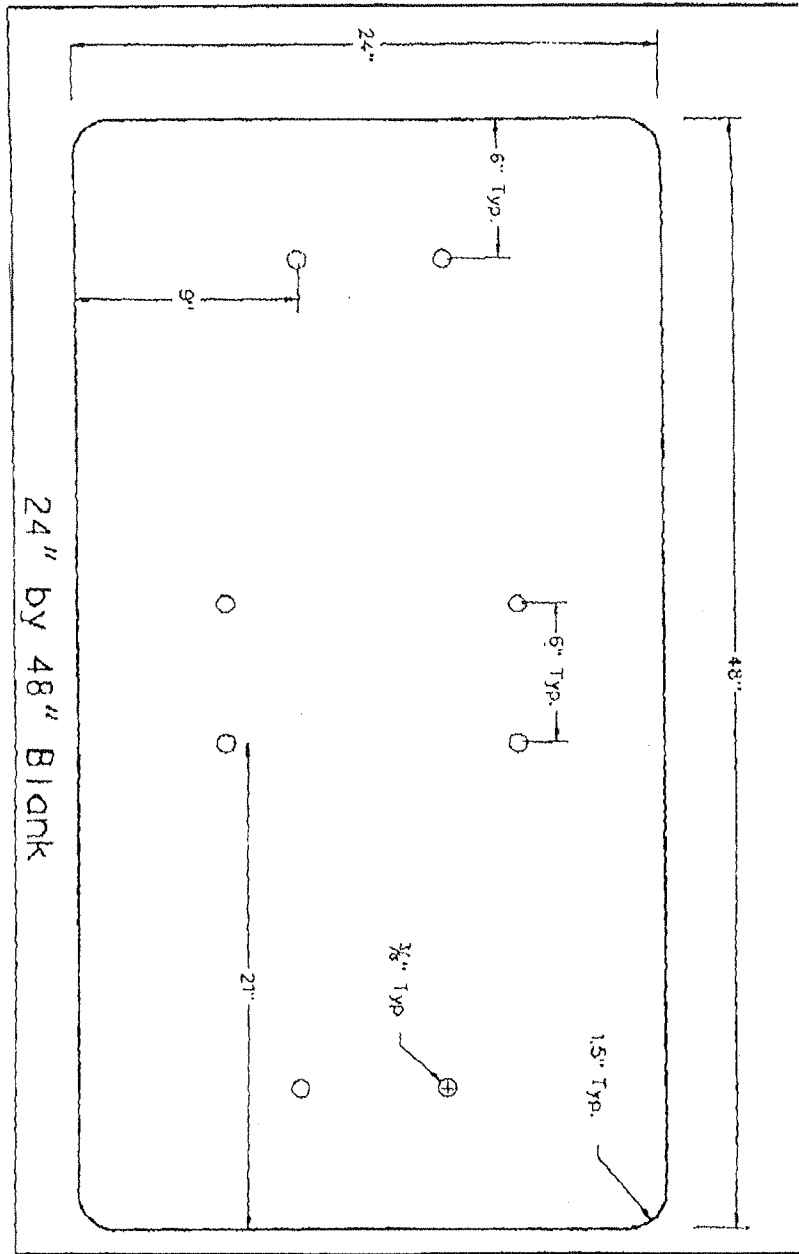
DRAWING #26



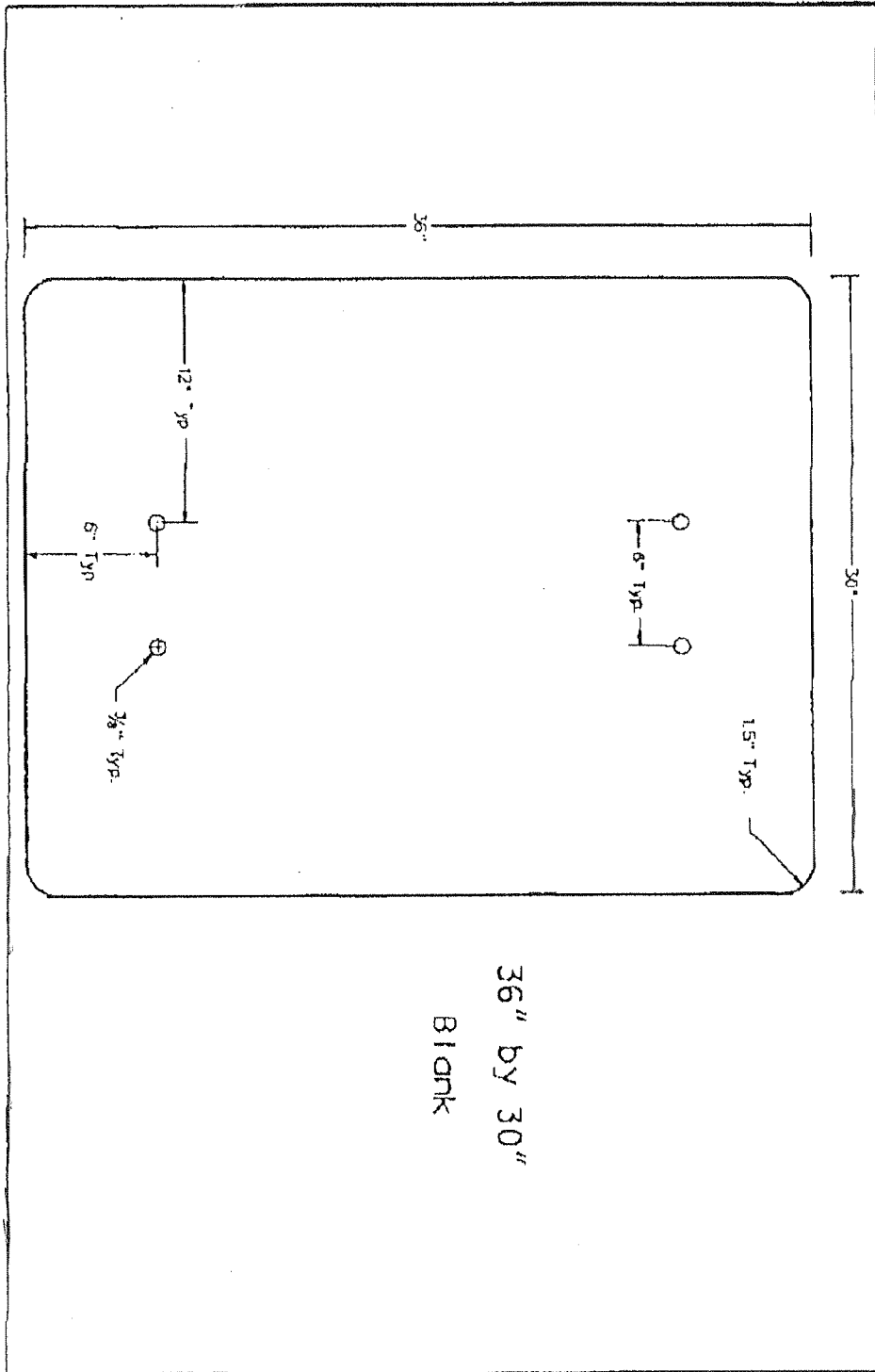
DRAWING #27



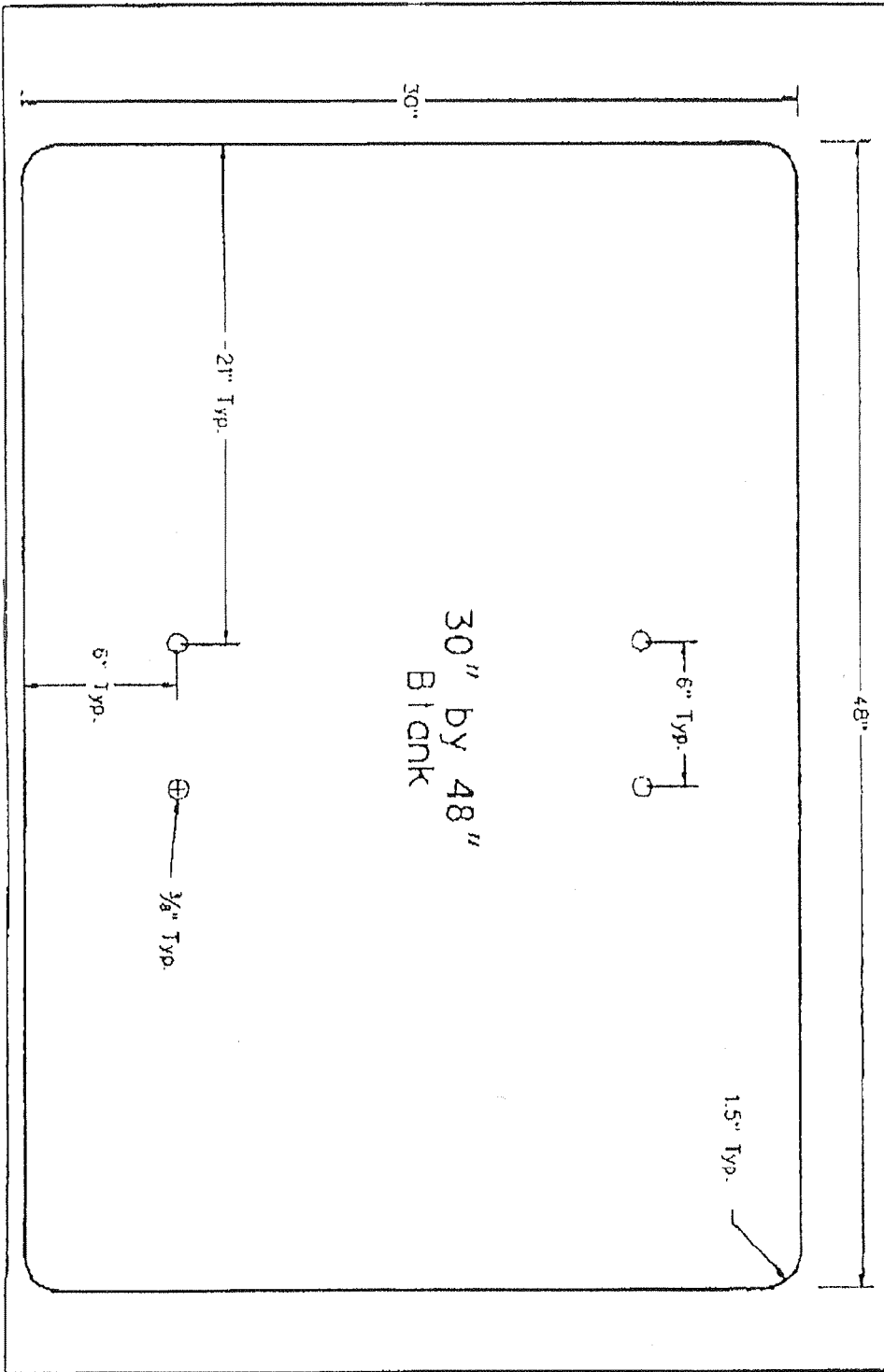
DRAWING #28



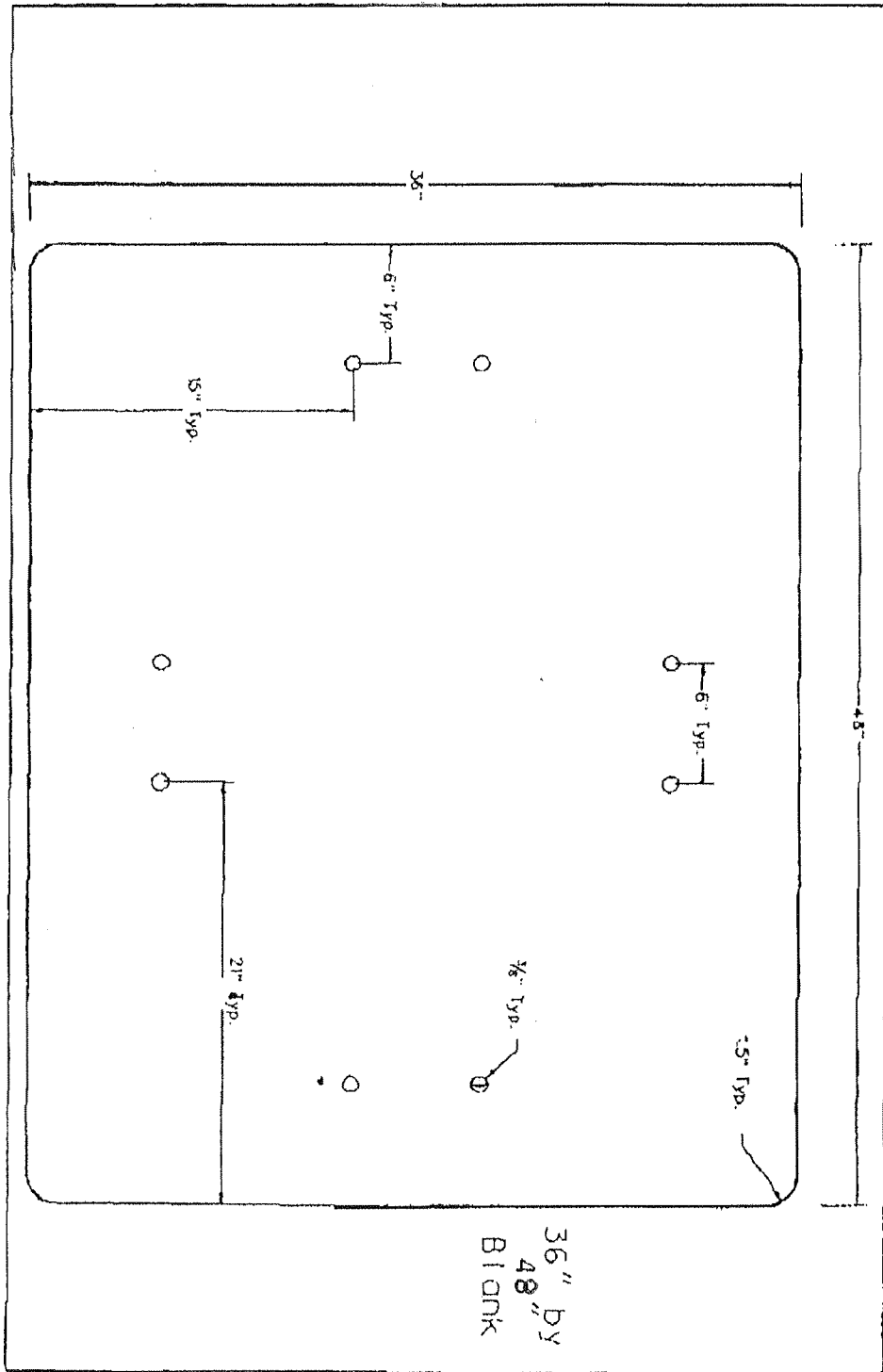
DRAWING #29



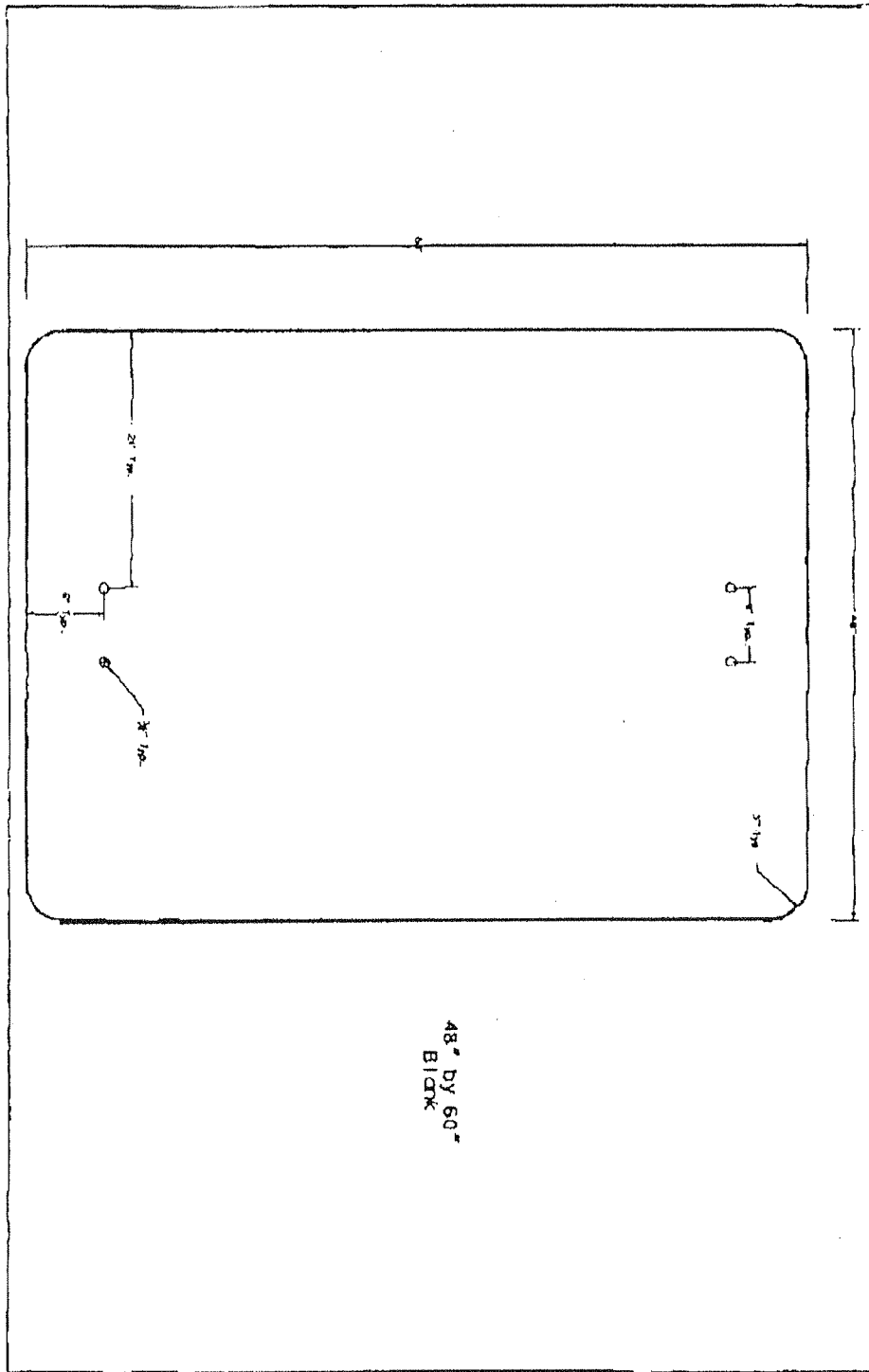
DRAWING #30



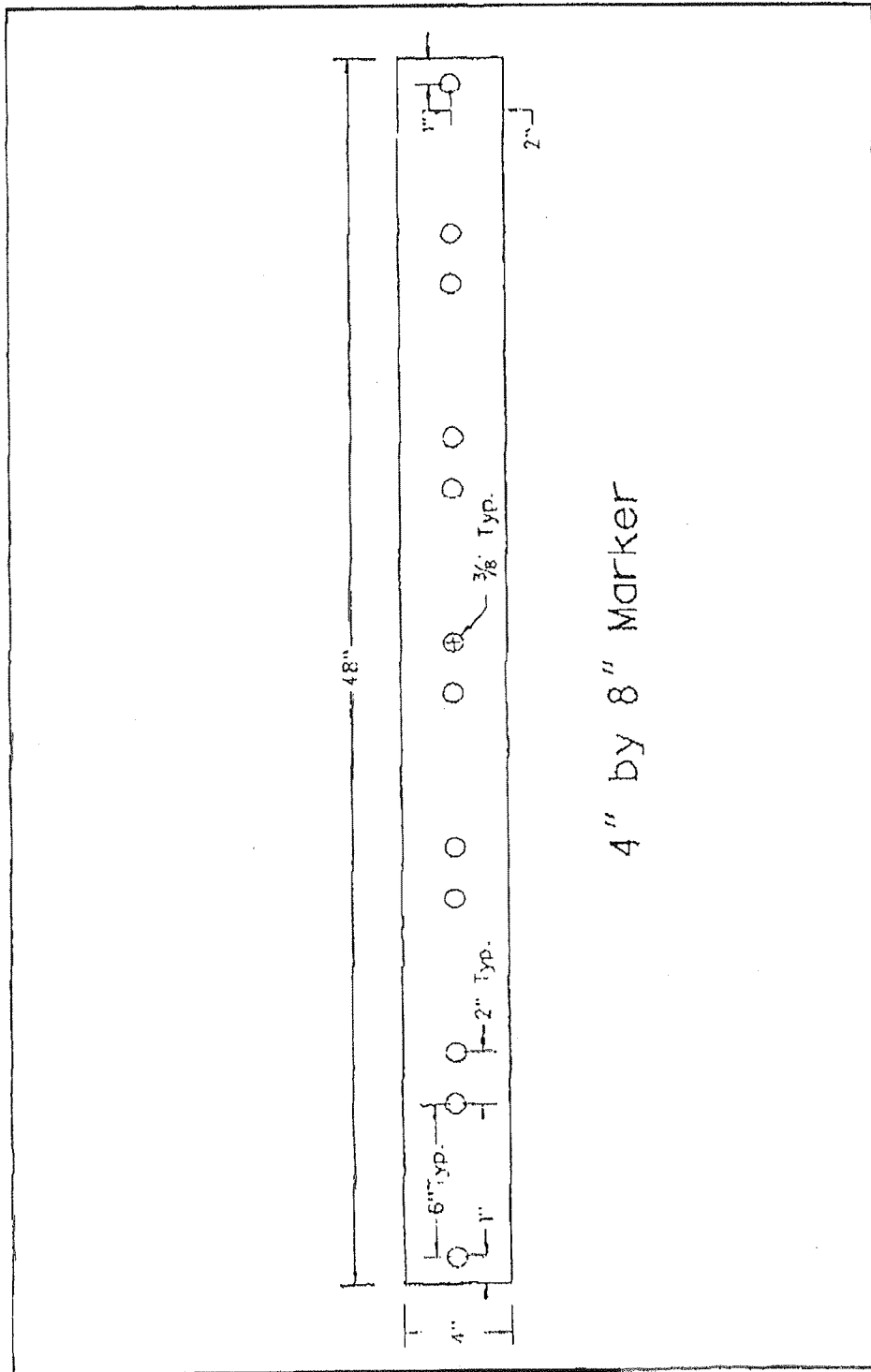
DRAWING #31



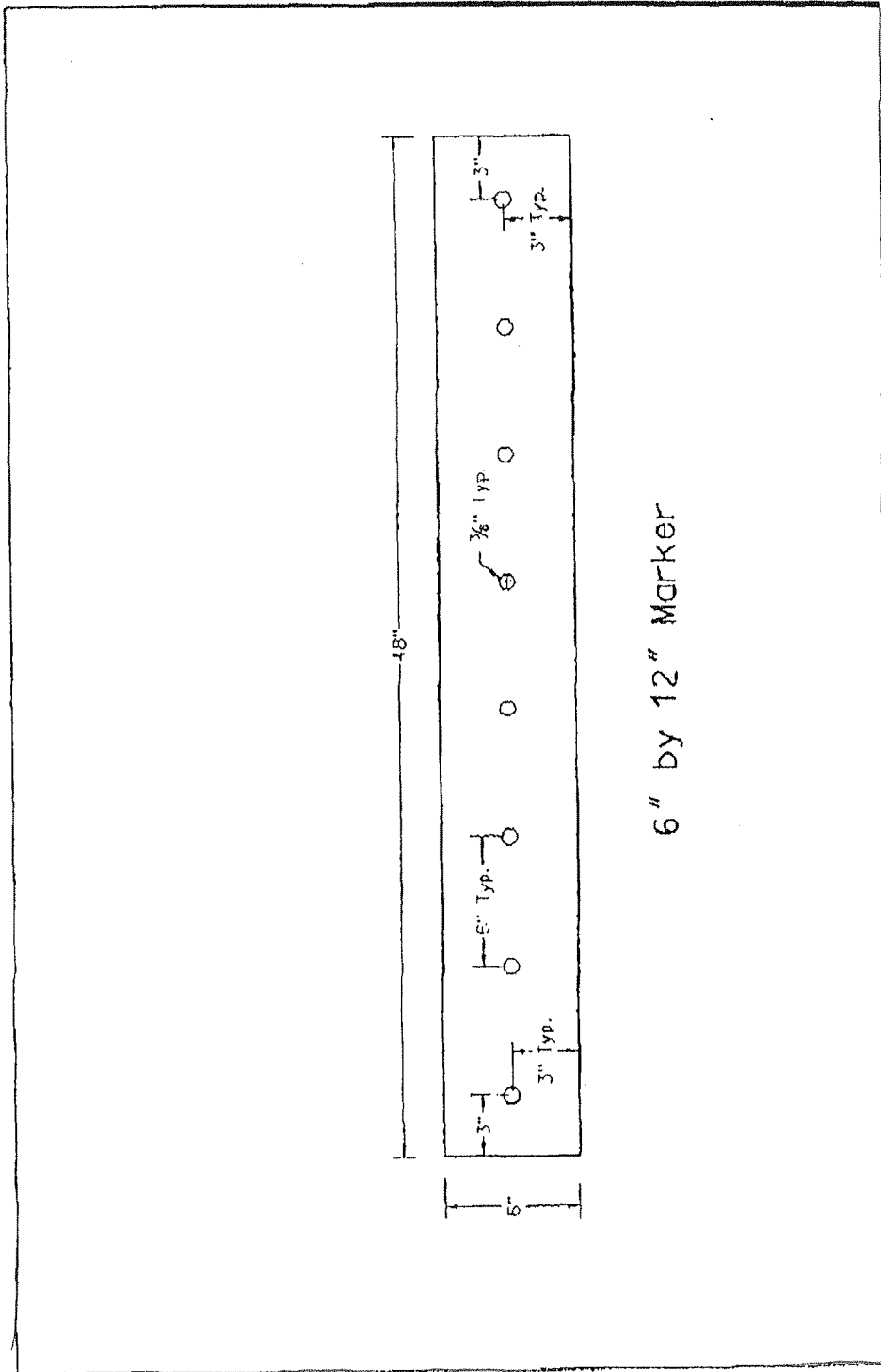
DRAWING #33



DRAWING #35



DRAWING #36



6" by 12" Marker

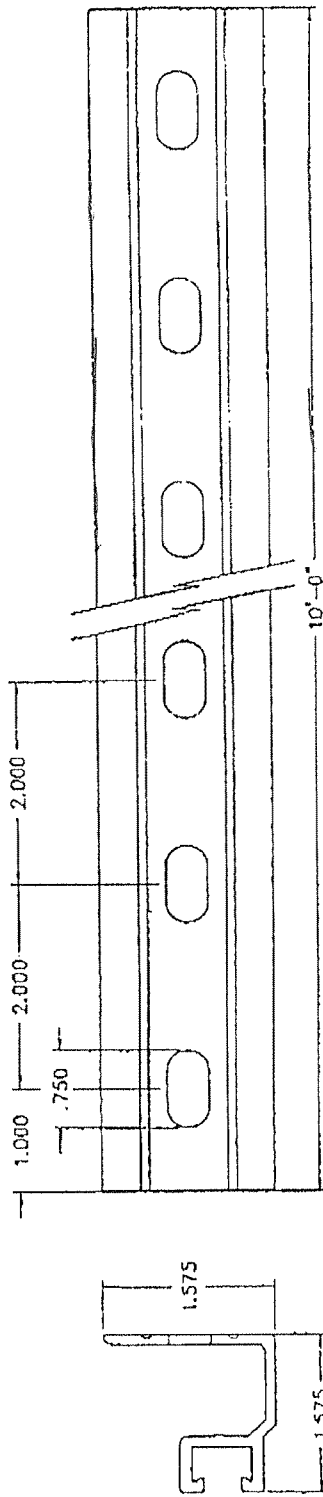
DRAWING #37

	HOLE	DIE SIZE	BACKER	SIZE	FEEDER PLATE	SIZE	BOLSTER	SIZE	
DIE NUMBER									
<p style="writing-mode: vertical-rl; transform: rotate(180deg);">APPROVED</p> <p style="writing-mode: vertical-rl; transform: rotate(180deg);">My signature on this print indicates my approval of design and dimensions as shown and I authorize the preparation of extrusion dies and acknowledge that I will pay the cost of making the die which cost shall be <u>No Charge</u></p> <p>Signed: <i>[Signature]</i> Date: <u>10-5-91</u></p>									
	<p style="text-align: center;">STANDARD COMMERCIAL TOLERANCES FOR EXTRUDED PRODUCTS APPLY UNLESS OTHERWISE SPECIFIED DO NOT SCALE DRAWING</p>								
NO.	REVISIONS	DATE	CUSTOMER				FLORIDA D.O.T.		REV. #
UNSPECIFIED WALL THICKNESS: .098			APPLICATION				CORNER ANGLE		MADES WITH
EST. AREA	EST. H/F	EST. PARAMETER	FACTOR	DRAWN BY	DATE	SCALE	ALLOY		
.451	1.100	9.136	17	WRG	10/24/91	2:1	6061-T6		
CAVITY SIZE	MAX RATIO	FILE NUMBER	CIRCLE SIZE	SOLID *	HOLLOW □	FEED-HOLLOW □	CUSTOMER #		
		22-A502+	2-3				HPN-054		

DRAWING #38

Rev 7/7/10

DRAWING #39



HIDDEN LINES OMITTED

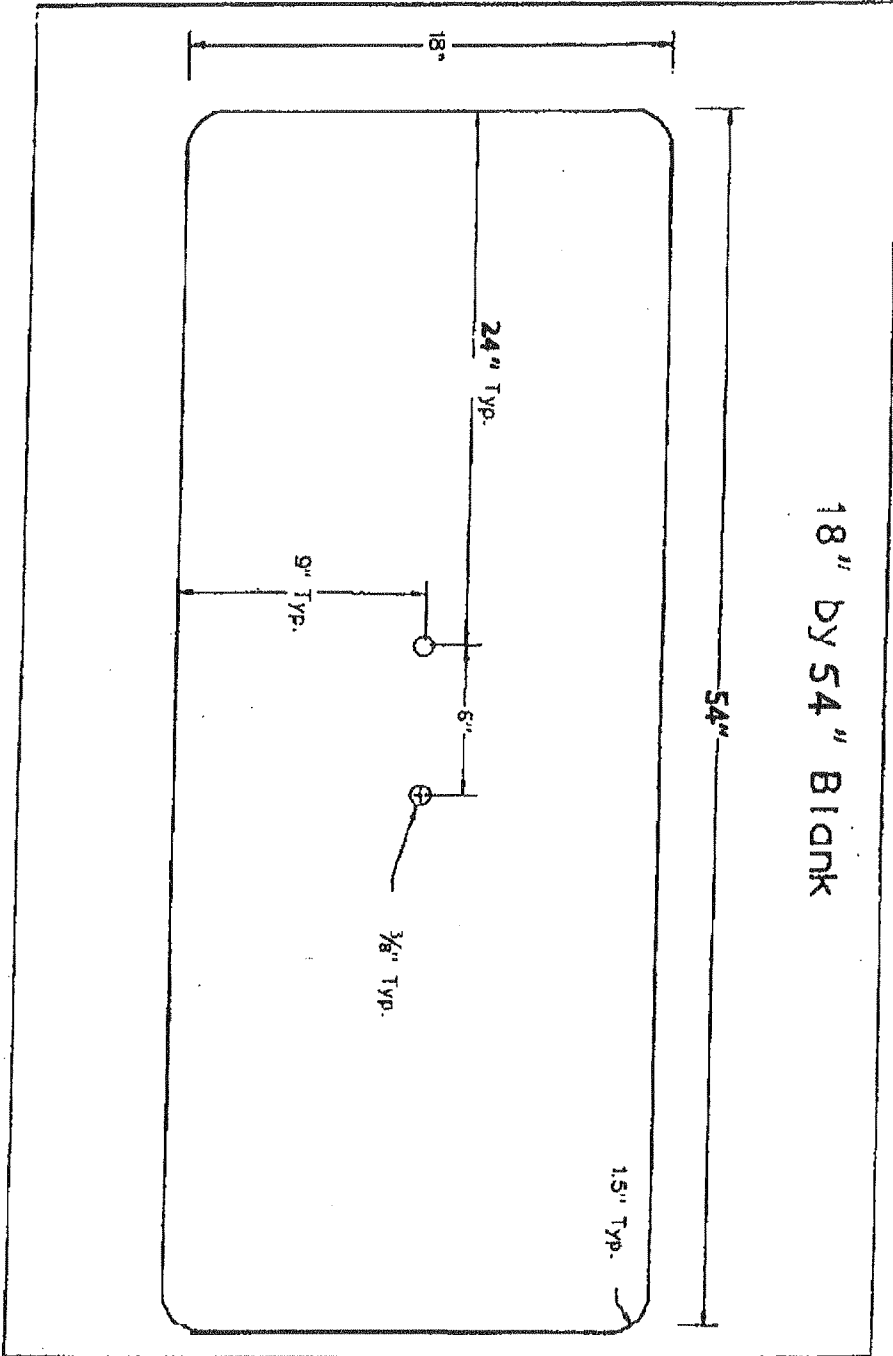
APPROVED

By signature on this print indicates approval of design and dimensions as shown and I authorize the preparation of construction files and knowledge that I will pay the cost of making the drawings shall be N/A
 Signed [Signature]
 Date [Signature]

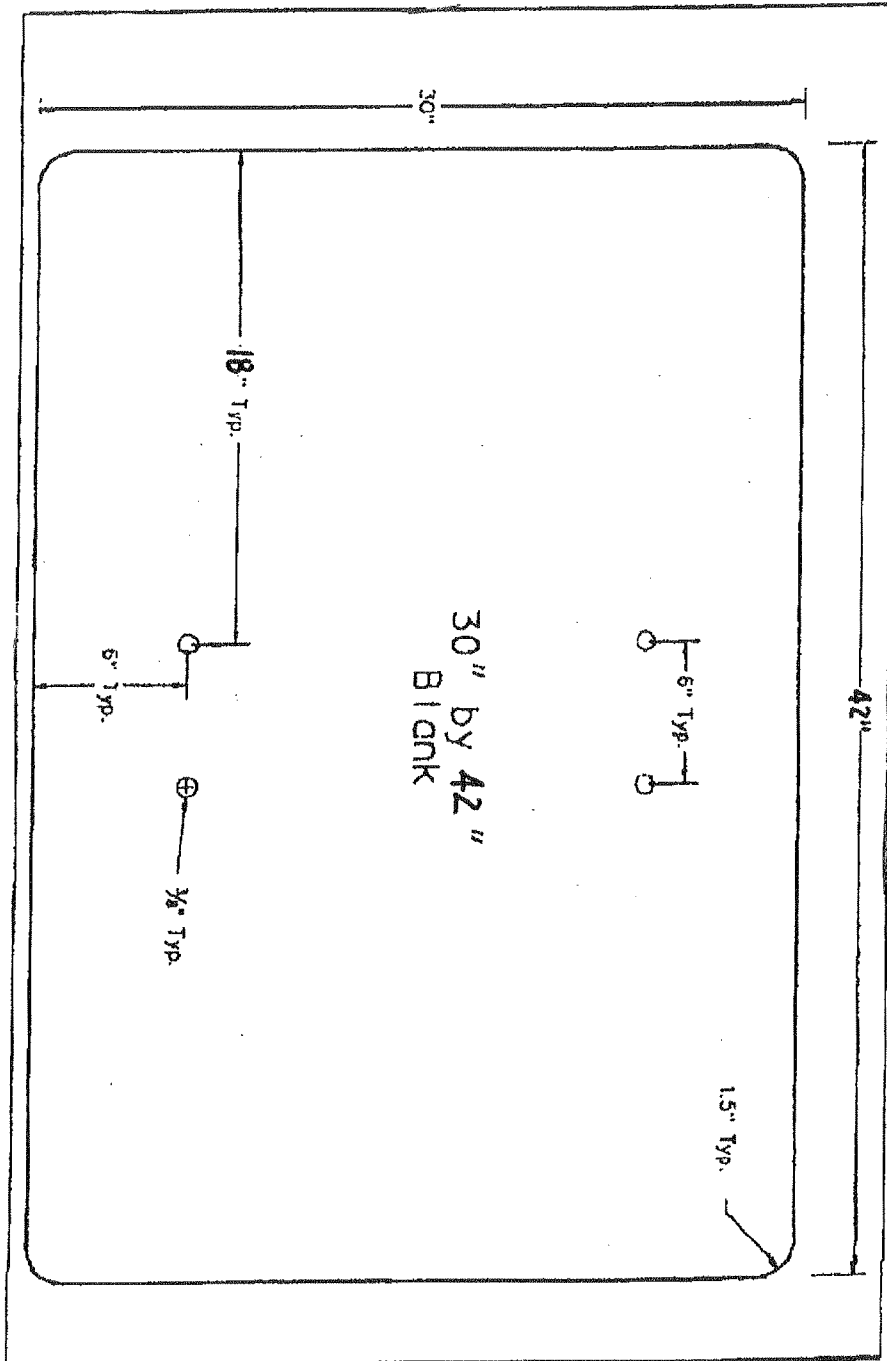
60 NOT SCALE DRAWING
 CUSTOMER
 FLORIDA DEPT. OF TRANS.
 APPLICATION

THE KASOZAKAR

18" by 54" Blank



DRAWING # 40



DRAWING # 41

EXHIBIT "A"

TABLE 26--ZEE SECTIONS*

* Areas and section properties listed are based on nominal dimensions. Weights per foot are based on nominal dimensions and a density of 0.098 pounds per cubic inch, the density of Alloy 6061. See ALUMINUM STANDARDS AND DATA for applicable tolerances.

Users are encouraged to ascertain current availability of particular structural shapes through inquires to their suppliers.

Size		Weight b in.	Thick- ness t in.	Area in. ²	Actual Depth			Axis X - X			Axis Y - Y			Axis Z - Z		
Nominal Depth in	Weight lb/ft				d in.	r ₁ in	r ₂ in.	I in. ⁴	S in. ³	r in.	I in. ⁴	S in. ³	r in.	α	I in. ⁴	r in.
1¼	1.08	1¼	3/16	0.92	1¼	3/16	—	0.446	0.510	0.695	0.551	0.333	0.773	49°□48	0.101	0.331
2	0.92	1¼	3/16	0.78	2	3/16	—	0.458	0.458	0.765	0.186	0.161	0.488	12°□29	0.063	0.283
2 ₋	1.00	1¼	3/16	0.85	2 ₋	3/16	—	0.694	0.584	0.902	0.186	0.161	0.467	12°□23	0.082	0.310
3	2.33	2 ¹¹ / ₁₆	¼	1.98	3	5/16	¼	2.89	1.92	1.21	2.64	1.03	1.15	24°□43	0.59	0.54
3	3.38	2 ¹¹ / ₁₆	—	2.87	3	5/16	¼	3.86	2.57	1.16	3.76	1.50	1.14	31°□44	0.82	0.53
4	2.85	3 ¹ / ₁₆	¼	2.42	4	5/16	¼	6.32	3.16	1.62	4.01	1.36	1.29	47°□36	1.08	0.67
4	3.85	3 ₋	5/16	3.04	4 ¹ / ₁₆	5/16	¼	7.97	3.92	1.62	5.24	1.76	1.31	24°□37	1.39	0.68
4	4.32	3 ³ / ₁₆	—	3.67	4 ₋	5/16	¼	9.66	4.68	1.62	6.54	2.18	1.33	55°□37	1.72	0.68
4	4.78	3 ¹ / ₁₆	7/16	4.06	4	5/16	¼	9.68	4.84	1.54	6.53	2.30	1.27	50°□37	1.74	0.66
4	6.22	3 ³ / ₁₆	9/16	5.29	4 ₋	5/16	¼	12.76	6.19	1.55	9.05	3.11	1.31	41°□38	2.41	0.68
5	4.01	3¼	5/16	3.41	5	5/16	¼	13.41	5.36	1.98	5.94	1.92	1.32	40°□30	1.89	0.74
5	4.84	3 ⁵ / ₁₆	—	4.12	5 ¹ / ₁₆	5/16	¼	16.23	6.41	1.99	7.40	2.37	1.34	08°□31	2.33	0.75
5	6.19	3¼	½	5.27	5	5/16	¼	19.23	7.69	1.91	8.82	2.94	1.29	09°□31	2.82	0.73
6	9.72	3 ₋	1 ¹ / ₁₆	8.27	6 ₋	5/16	¼	43.24	14.12	2.29	16.07	4.90	1.39	44°□27	5.70	0.84

D.O.T. COMMODITY NO. 208-517
ALUMINUM ZEE BAR, 3" X 2 11/16" X 1/4" X 20'
ALLOY 6061-T6

D.O.T. COMMODITY NO. 208-560
ALUMINUM ZEE BAR: 1 3/4" X 1 3/4" X 3/16" X 10'
ALLOY 6061-T6

ORDERING INSTRUCTIONS

Bid Number: ITB-DOT-17/18-9007-GH

Title: ALUMINUM MATERIALS

NOTE: ALL ORDERS SHOULD BE DIRECTED TO:

FEDERAL EMPLOYER IDENTIFICATION NUMBER (FEID): _____

VENDOR: _____

ADDRESS: _____

CITY, STATE, ZIP: _____

TELEPHONE: _____

TOLL FREE NO.: _____ FAX NO.: _____

DELIVERY: DELIVERY WILL BE MADE WITHIN _____ DAYS AFTER RECEIPT OF PURCHASE ORDER.

PRODUCT INFORMATION: DIRECT QUESTIONS TO:

NAME & TITLE: _____

ADDRESS: _____

CITY, STATE, ZIP: _____

TELEPHONE: _____

TOLL FREE NO.: _____ FAX NO.: _____

E-MAIL ADDRESS: _____

WEB ADDRESS: _____

Will you accept the State of Florida Purchasing Card (VISA)? Yes No

STATE OF FLORIDA DEPARTMENT OF TRANSPORTATION
**VENDOR CERTIFICATION REGARDING
SCRUTINIZED COMPANIES LISTS**

Respondent Vendor Name: _____
Vendor FEIN: _____
Vendor's Authorized Representative Name and Title: _____
Address: _____
City: _____ State: _____ Zip: _____
Phone Number: _____
Email Address: _____

Section 287.135, Florida Statutes, prohibits agencies from contracting with companies for goods or services of \$1,000,000 or more, that are on either the Scrutinized Companies with Activities in Sudan List, the Scrutinized Companies with Activities in the Iran Petroleum Energy Sector Lists which are created pursuant to s. 215.473, F.S., or the Scrutinized Companies that Boycott Israel List, created pursuant to s. 215.4725, F.S., or companies that are engaged in a boycott of Israel. This provision becomes inoperative on the date that federal law ceases to authorize states to adopt and enforce such contracting prohibitions.

As the person authorized to sign on behalf of Respondent, I hereby certify that the company identified above in the section entitled "Respondent Vendor Name" is not listed on either the Scrutinized Companies with Activities in Sudan List or the Scrutinized Companies with Activities in the Iran Petroleum Energy Sector List, or the Scrutinized Companies that Boycott Israel List. I further certify that the company is not engaged in a boycott of Israel. I understand that pursuant to section 287.135, Florida Statutes, the submission of a false certification may subject company to civil penalties, attorney's fees, and/or costs.

Certified By: _____,
who is authorized to sign on behalf of the above referenced company.
Authorized Signature Print Name and Title: _____

STATE OF FLORIDA DEPARTMENT OF TRANSPORTATION

DRUG-FREE WORKPLACE PROGRAM CERTIFICATION

287.087 Preference to businesses with drug-free workplace programs. Whenever two or more bids, proposals, or replies that are equal with respect to price, quality, and service are received by the state or by any political subdivision for the procurement of commodities or contractual services, a bid, proposal, or reply received from a business that certifies that it has implemented a drug-free workplace program shall be given preference in the award process. In order to have a drug-free workplace program, a business shall:

(1) Publish a statement notifying employees that the unlawful manufacture, distribution, dispensing, possession, or use of a controlled substance is prohibited in the workplace and specifying the actions that will be taken against employees for violations of such prohibition.

(2) Inform employees about the dangers of drug abuse in the workplace, the business' policy of maintaining a drug-free workplace, any available drug counseling, rehabilitation, and employee assistance programs, and the penalties that may be imposed upon employees for drug abuse violations.

(3) Give each employee engaged in providing the commodities or contractual services that are under bid a copy of the statement specified in subsection (1).

(4) In the statement specified in subsection (1), notify the employees that, as a condition of working on the commodities or contractual services that are under bid, the employee will abide by the terms of the statement and will notify the employer of any conviction of, or plea of guilty or nolo contendere to, any violation of chapter 893 or of any controlled substance law of the United States or any state, for a violation occurring in the workplace no later than 5 days after such conviction.

(5) Impose a sanction on, or require the satisfactory participation in a drug abuse assistance or rehabilitation program if such is available in the employee's community by, any employee who is so convicted.

(6) Make a good faith effort to continue to maintain a drug-free workplace through implementation of this section.

Does the individual responding to this solicitation certify that their firm has implemented a drug-free workplace program in accordance with the provision of Section 287.087, Florida Statutes, as stated above?

YES

NO

NAME OF BUSINESS: _____

STATE OF FLORIDA DEPARTMENT OF TRANSPORTATION
IN-STATE PREFERENCE FORM
For Invitation-to-Bid Commodity

375-040-56
PROCUREMENT
OGC – 03/13

Bid Number: _____

Title: _____

Pursuant to Section 287.084, Florida Statutes, relating to the Florida-based business preference, effective July 1, 2012:

In a competitive solicitation in which the lowest bid is submitted by a vendor whose principal place of business is located outside the state of Florida and that state where the vendor's principal place of business is located does not grant a preference in competitive solicitation to vendors having a principal place of business in that state, the preference to the lowest responsible and responsive vendor having a principal place of business in this state shall be 5 percent.

Note: The Vendor is required to complete and submit this form with its bid to be considered for this preference.

Vendor Name: _____

Vendor FEIN: _____

The Vendor (does) (does not) have a principal place of business located in the state of Florida.

If so, please provide an address:

Note: A vendor whose principal place of business is outside the state of Florida must accompany any written bid documents with a written opinion of an attorney licensed to practice law in that foreign state, as to the preferences, if any or none, granted by the law of that state to its own business entities whose principal places of business is in that foreign state in the letting of any or all public contracts.

Authorized Signature: _____

Title: _____

Date: _____

BID CHECKLIST

(DOES NOT NEED TO BE RETURNED WITH YOUR BID)

This Checklist is provided as a guideline, only, to assist bidders in the preparation of their bid response. Included are some important matters that the bidder should check. This checklist is just a guideline, and is not intended to include all matters required by the ITB. Bidders are responsible to read and comply with the ITB in its entirety.

Check off each the following:

- ___ 1. The "Bid Sheet" has been filled out completely, signed, and enclosed in the bid response.
- ___ 2. The Technical Specifications section has been thoroughly reviewed for compliance to the bid requirements.
- ___ 3. EXHIBIT "A", ALUMINUM PRODUCERS/FABRICATORS FORM has been filled out completely, signed, and enclosed in the bid response.
- ___ 4. EXHIBIT "B", FLORIDA DEPARTMENT OF TRANSPORTATION MATERIAL SPECIFICATIONS – COMPLIANCE FORM
- ___ 5. "Scrutinized Companies Lists" certification form has been read, signed, and enclosed in the bid response, if applicable (bids of \$1 million or more).
- ___ 6. "Drug-Free Workplace Program Certification" form has been read, signed, and enclosed in the bid response, if applicable.
- ___ 7. The "Certification of Recycled Content" form, (if applicable) has been filled out completely and enclosed in the bid response.
- ___ 8. The "In-State Preference" form has been completed and enclosed in the bid response.
- ___ 9. The www.myflorida.com website has been checked and any Addendums posted have been completed, signed, and included in the bid response.
- ___ 10. The bid response must be received, at the location specified, **on or before** the Bid Due Date and Time designated in the ITB.
- ___ 11. On the Lower Left Hand Corner of the Envelope transmitting your bid response, write in the following information:

Bid No.: ITB-DOT-17/18-9007-GH

Title: ALUMINUM MATERIALS

Opening Date & Time: See "TIMELINE" in INTRODUCTION SECTION