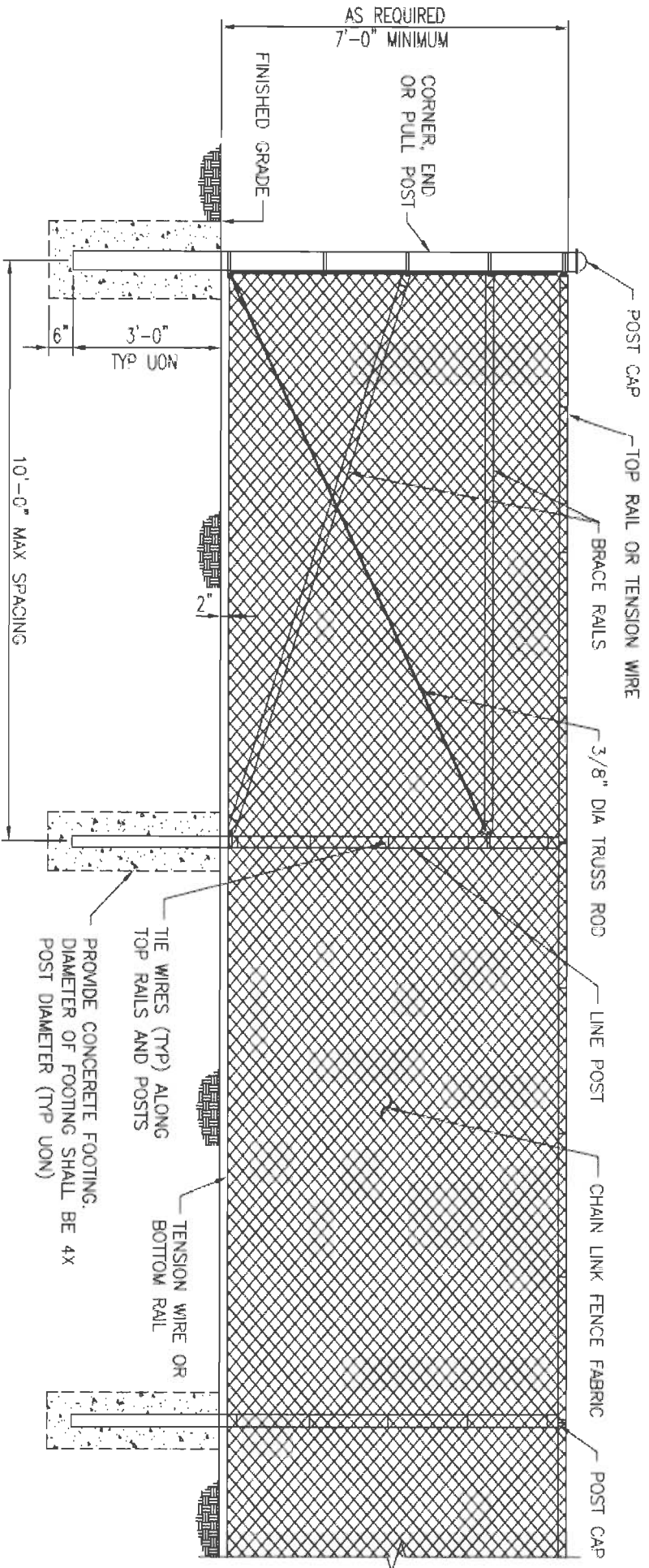
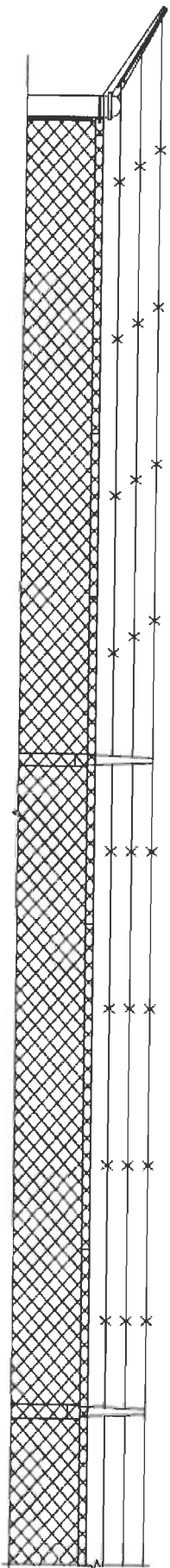


CHAIN-LINK FENCING AND DETAILS, UFC-700



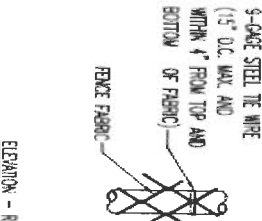
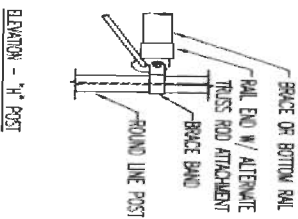
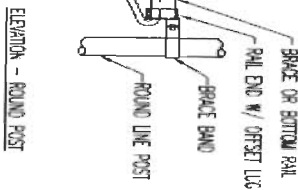
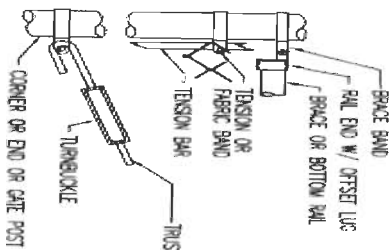
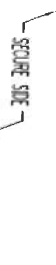
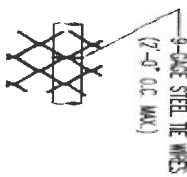
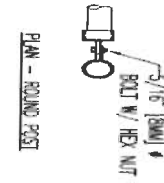
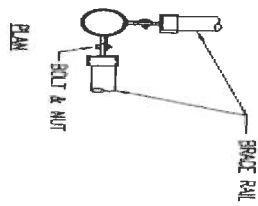
TYPICAL FENCE AND CORNER PANEL ELEVATION

SCALE: 1" = 1'-0"

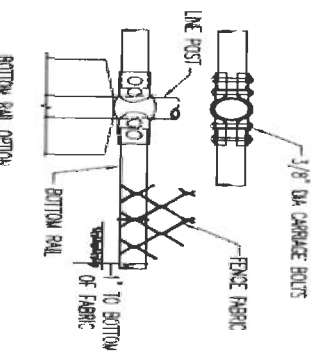
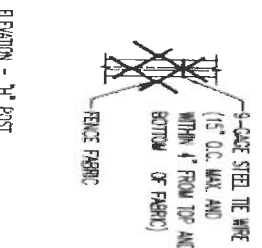


TYPICAL 3 STRAND BARBED WIRE AND SINGLE EXTENSION ARM CONFIGURATION

SCALE: 1" = 1'-0"



FITNESS NOTES
 1. METRIC DIMENSIONS ARE NOMINAL EQUIVALENTS TO U.S. DIMENSIONS.
 2. ALL FITNESS MATERIAL SHALL BE AS SPECIFIED



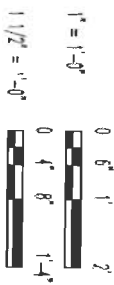
LINE POST DETAILS

SCALE: 1 1/2" = 1'-0"

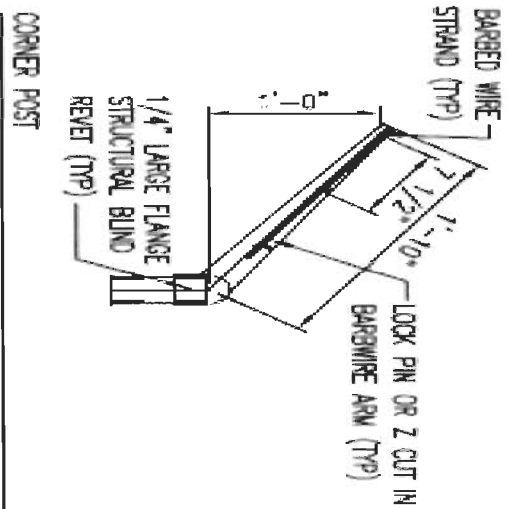
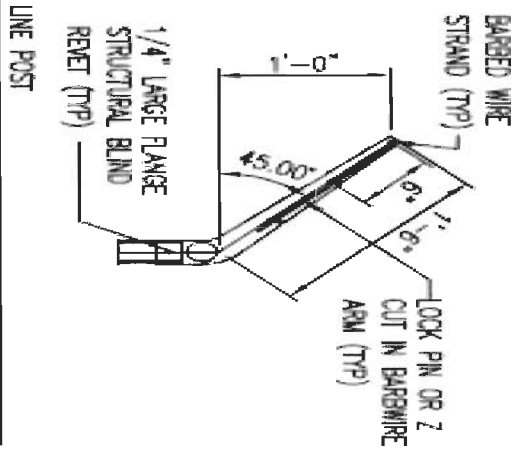
CORNER OR END POSTS

SCALE: 1 1/2" = 1'-0"

GRAPHIC SCALES

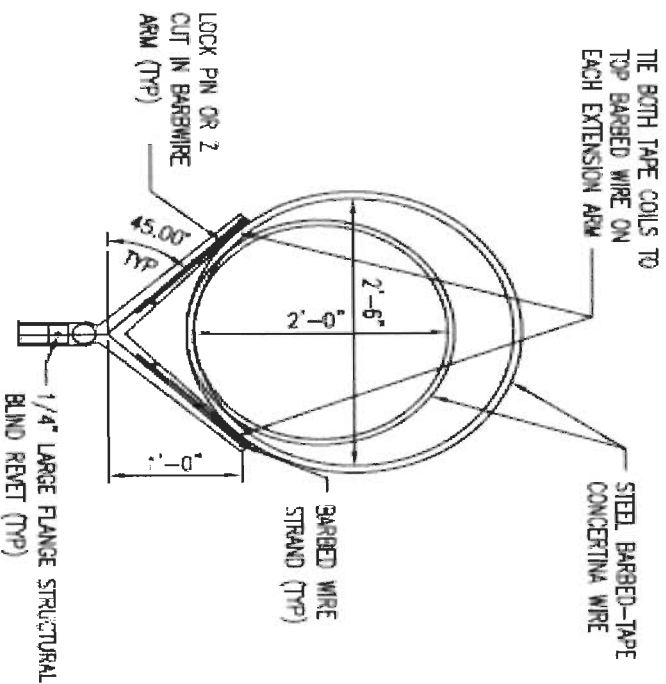


BARBED WIRE/ARRANGEMENT DETAILS, UFC-701



SINGLE EXTENSION ARM DETAILS

SCALE: 1" = 1'-0"



CONCERTINA WIRE MOUNTING

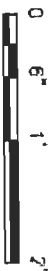
SCALE: 1" = 1'-0"

CHAIN LINK FENCING NOTES

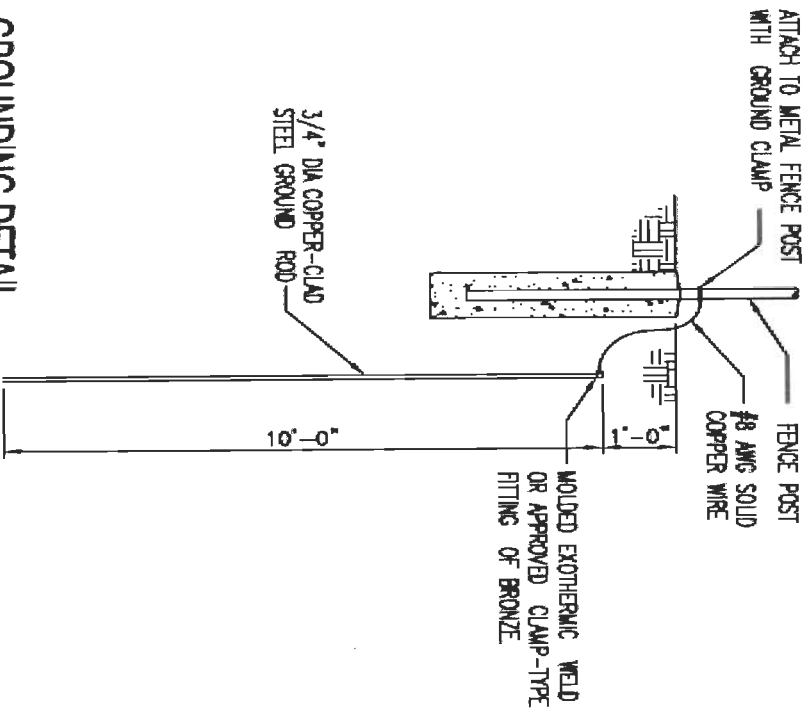
1. FABRIC: THE STANDARD FENCE FABRIC SHALL BE VINYL, ZINC OR ALUMINUM-COATED STEEL WIRE CHAIN LINK WITH MESH OPENINGS NOT LARGER THAN TWO INCHES PER SIDE AND A TWISTED AND BARBED SELVAGE AT TOP AND BOTTOM IN ACCORDANCE WITH THE SPECIFICATIONS. UTILIZE 6-GAUGE FOR BASE PERIMETER OR HEIGHTENED SECURITY ZONES AND 9-GAUGE FOR BASE INTERIOR OR WHEN JOINING AN EXISTING FENCE WHICH IS ALREADY 9-GAUGE.
2. FABRIC TIES: ONLY 12-GAUGE STEEL TIES SHALL BE USED. COATING OR PLATING WILL BE ELECTROLYTICALLY COMPATIBLE WITH THE FENCE FABRIC TO INHIBIT CORROSION.
3. REINFORCEMENT: TENSION WIRES SHALL BE INSTALLED AND INTERWOVEN (OR AFFIXED WITH FABRIC TIES) ALONG THE TOP & BOTTOM OF THE FENCE FOR STABILIZATION OF THE FENCE FABRIC.
4. FENCE HEIGHT: CHAIN LINK FABRIC SHALL BE 7' HIGH WITH AN ADDITIONAL 1' IN HEIGHT COMPOSED OF 3 STRANDS OF BARBED WIRE AS REQUIRED. THE TOTAL FENCE HEIGHT SHALL BE 8'.
5. GROUND CLEARANCE: BOTTOM OF THE FENCE FABRIC SHALL BE WITHIN TWO INCHES OF FIRM SOIL.
6. TOP GUARDS: A TOP GUARD IS AN OVERHANG OF BARBED WIRE ALONG THE TOP OF A FENCE FACING OUTWARD (AWAY FROM PROTECTED SITE) AND UPWARD AT APPROX. 45 ANGLE. TOP GUARD SUPPORTING ARMS WILL BE PERMANENTLY AFFIXED TO THE TOP OF FENCE POSTS TO INCREASE THE OVERALL HEIGHT OF THE FENCE AT LEAST 1 FOOT. THREE STRANDS OF 12-GAUGE BARBED WIRE, EQUALLY SPACED, SHALL BE INSTALLED ON THE SUPPORTING ARMS.
7. FENCE POSTS: SHALL BE ASTM F1043 OR F1083 ROUND PIPE OR SQUARE TUBE AND SHALL BE GALVANIZED IN ACCORDANCE WITH THE SPECIFICATIONS. FENCE POST SPACING AND SIZE (DIAMETER) SHALL BE DETERMINED IN ACCORDANCE WITH CHAIN LINK FENCE MANUFACTURERS' INSTITUTE (WLG 2445). SPACING SHALL NOT EXCEED 10'-0" OC. SIZE (DIAMETER) SHALL NOT BE LESS THAN THAT SPECIFIED.

GRAPHIC SCALES

1" = 1'-0"



GROUNDING DETAIL



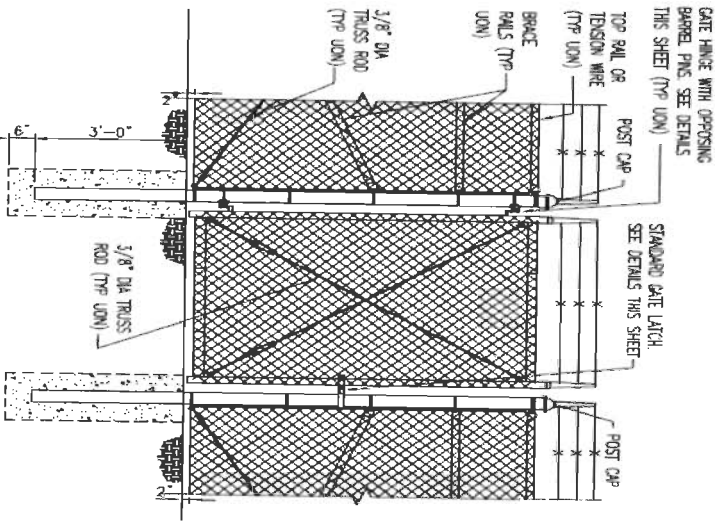
NO SCALE

SINGLE SWING WALKING GATE, UFC-702



PLAN SINGLE SWING GATE

SCALE: 1" = 1'-0"



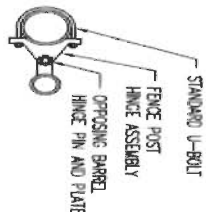
TYPICAL FENCE SINGLE SWING GATE ELEVATION

SCALE: 1/2" = 1'-0"

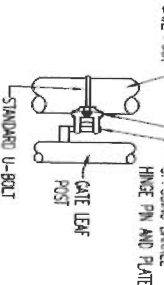
SINGLE OR DOUBLE LEAF GATES			
NOM HEIGHT (H)	UPRIGHT HT (U)	FRAME HT (F)	
NOM HT INCLUDING BARBED WIRE	ACTUAL DIM	ACTUAL DIM	ACTUAL DIM
8'-0" [2438MM]	7'-10" [2389MM]	6'-8 1/2" [2055MM]	

SINGLE LEAF GATES			
OPENING	GATE POSTS	HINGE SPACE (S)	
FACE TO FACE	SQUARE & ROUND SIZES	POST TO UPRIGHT	
3'-0" [914MM]	2.5" [63.5MM] SQ x 3/16" TH	FOR SQUARE & ROUND GATE POSTS	
6'-0" [1829MM]	2.875" [73MM] OD	2 1/4" [57MM]	
8'-0" [2438MM]	4" [102MM] SQ x 3/16" TH OR 4" [102MM] OD	FOR SQUARE & ROUND GATE POSTS	
12'-0" [3657MM]	6" [152MM] SQ x 3/16" TH OR 6.625" [168MM] OD	2 1/4" [57MM]	
19'-0" [5791MM]	8" [203MM] SQ x 1/4" TH OR 8.625" [219MM] OD	FOR SQUARE & ROUND GATE POSTS	
23'-0" [7010MM]	10" [254MM] SQ x 1/4" TH OR 10.625" [270MM] OD	2 1/4" [57MM]	

NOTE: IF GATE HINGERS ARE NOT OPPOSING (AS SHOWN ABOVE) OR LEAF IS NOT LOCKED MECHANICALLY TO THE HINGES, WELD AN ANGLE PLATE OR BLOCK ABOVE HINGE TO RESTRICT LEAF FROM BEING REMOVED OR LIFTED OFF. RESTRICTION SHALL NOT HINDER OPERATION OF GATE.

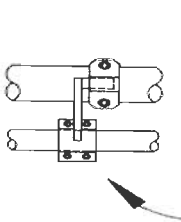
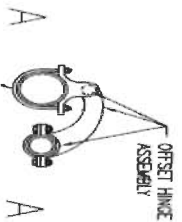


(NOTE: WELD HINGERS TO POST IF INSTALLING CABLE REINFORCEMENT ON GATES. ENSURE CORRECT HEIGHT FOR FULL OPERATION PRIOR TO WELDING (TYPICAL).)



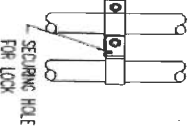
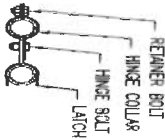
GATE HINGE DETAIL

SCALE: 1 1/2" = 1'-0"



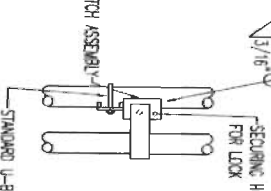
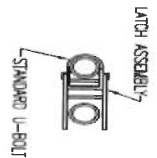
OFFSET HINGE DETAIL

SCALE: 1 1/2" = 1'-0"



GATE LATCH DETAIL

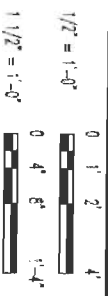
SCALE: 1 1/2" = 1'-0"



FULCRUM LATCH DETAIL

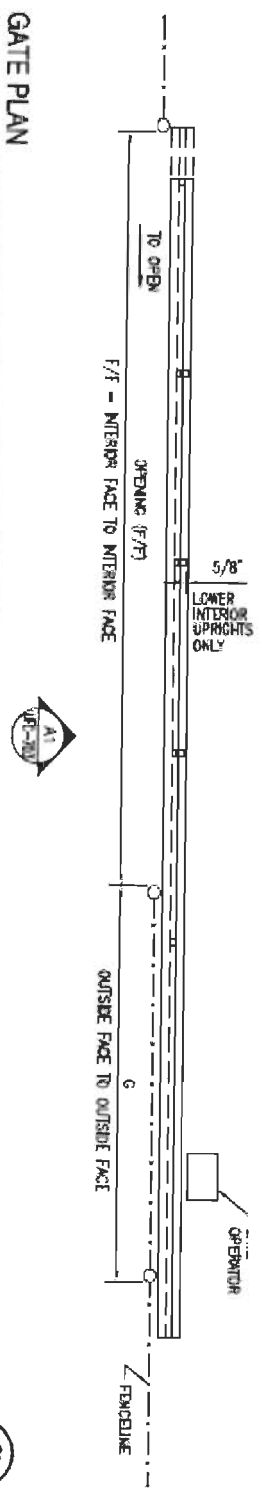
SCALE: 1 1/2" = 1'-0"

GRAPHIC SCALES



Design single swing gates to match fence fabric height, with an additional 1 ft (305 mm) of three strand barbed wire added to the height if barb wire is part of the fence structure. The gate opening should not exceed a width of 14 ft (4.3 m).

CANTILEVER SLIDING GATE, UFC-703

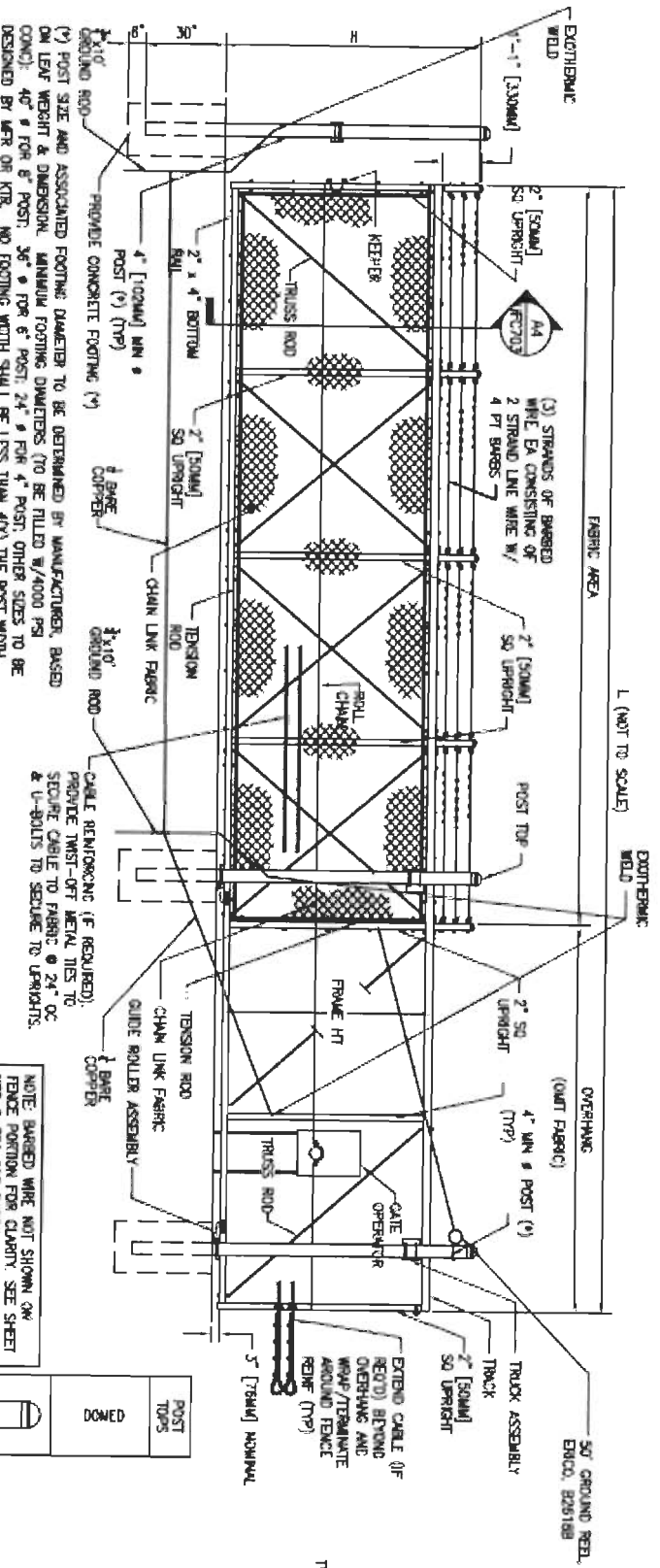


GATE PLAN

NOT TO SCALE

SAMPLE OF SIZES

OPENING (F/F)	NOMINAL HEIGHT (H)	LENGTH (L)	GATE POSTS (G)	BAYS / OVERHANG
37'-0"	8'-0"	53'-3"	16'-0"	5 (FABRIC) / 2 (M/O)
30'-0"	8'-0"	42'-3"	12'-0"	4 (FABRIC) / 2 (M/O)
24'-0"	8'-0"	36'-3"	12'-0"	3 (FABRIC) / 2 (M/O)



(2) POST SIZE AND ASSOCIATED FOOTING: DIAMETER TO BE DETERMINED BY MANUFACTURER, BASED ON LEAF WEIGHT & DIMENSION. MINIMUM FOOTING DIAMETERS (TO BE FILLED W/4000 PSI CONC): 48" Ø FOR 8' POST, 36" Ø FOR 6' POST, 24" Ø FOR 4' POST. OTHER SIZES TO BE DESIGNED BY MFR OR KTR. NO FOOTING WIDTH SHALL BE LESS THAN 4(X) THE POST WIDTH.

NOTE: BARBED WIRE NOT SHOWN (M/FENCE PORTION FOR CLARITY SEE SHEET UFC 5-701 FOR BARBED WIRE TYPE)

NOTE: REMOVING (IF REQUIRED), PROVIDE TWIST-OFF METAL TIES TO SECURE CABLE TO FABRIC. Ø 24" OC & U-BOLTS TO SECURE TO UPRIGHTS.

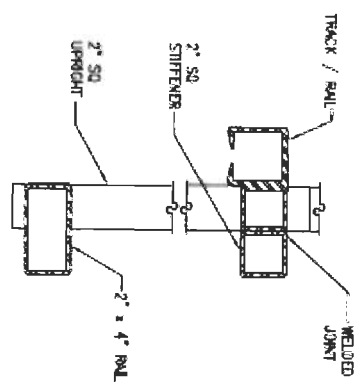


TYPICAL SINGLE CANTILEVERED SLIDING GATE ELEVATION- (4) BAYS SHOWN

WITH ROUND POSTS & WITH BARBED WIRE

NOT TO SCALE

UFC-703 UFG-703

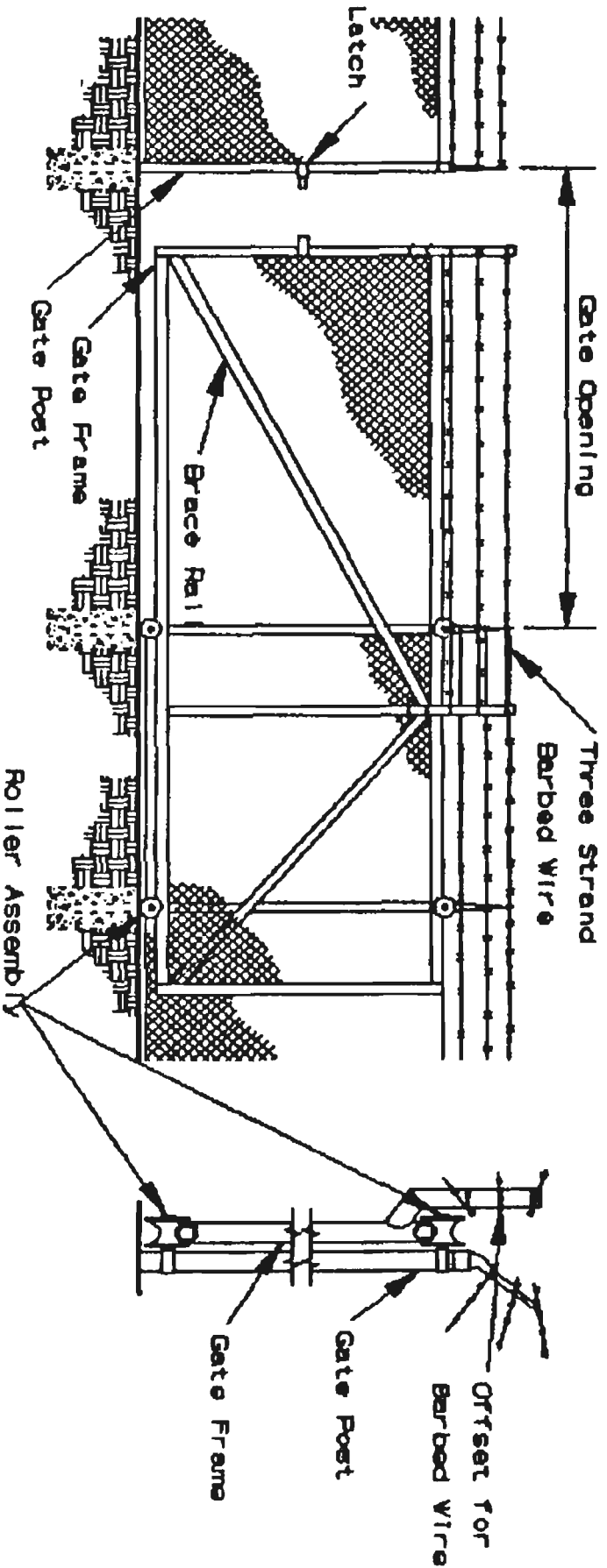


SECTION (TYP)

NOT TO SCALE

UFC-703 UFG-703

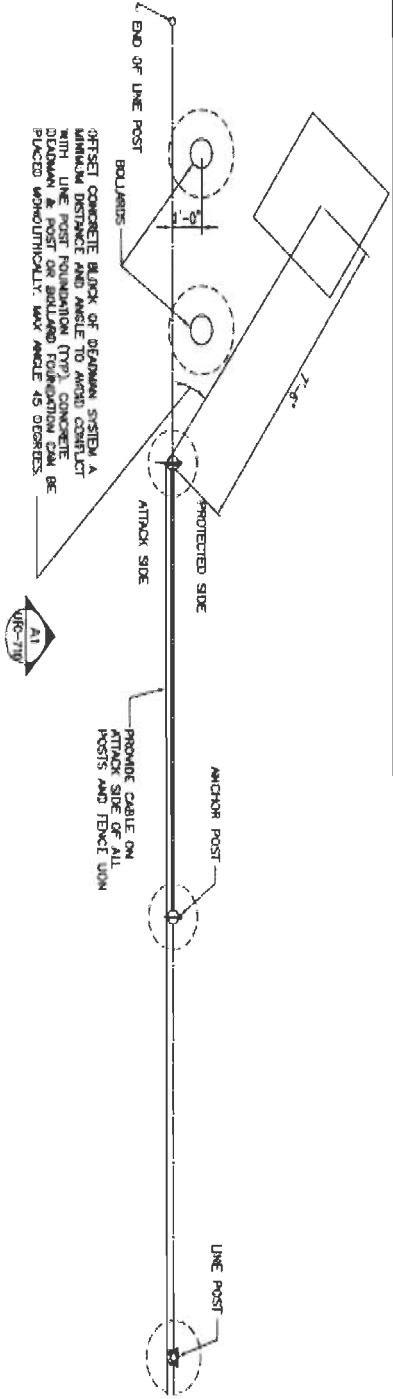
CANTILEVER SLIDING GATE (continued), UFC-703



GATE POST FOUNDATIONS

Steel Post Diameter	Foundation Hole Diameter	Gate Leaf Length
2.875 in (73 mm)	18 in (450 mm)	0 - 6 ft (0 - 1.8 m)
4.000 in (101.6 mm)	24 in (609.6 mm)	6 - 12 ft (1.8 - 3.7 m)
6.625 in (168.3 mm)	36 in (914.4 mm)	12 - 18 ft (3.7 - 5.5 m)
8.625 in (219 mm)	40 in (1016 mm)	18 - 24 ft (5.5 - 7.3 m)

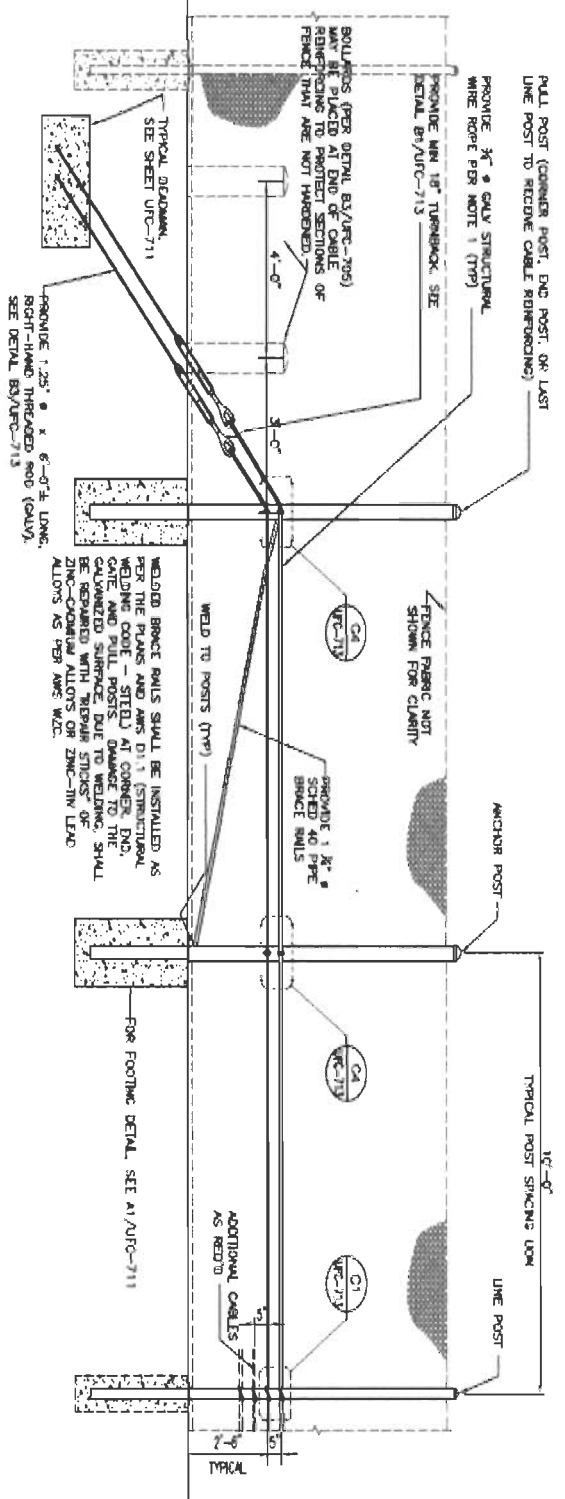
CABLE REINFORCED CHAIN-LINK FENCE DETAILS (ANTI-RAMMING CABLES) UFC-710



TYPICAL PLAN OF END POST DEADMAN AND LINE POST LAYOUT
SCALE 1/2" = 1'-0"

CALL OUTS: A1, C1

NOTE: FOR RETROFITTING OF EXISTING CABLE CAN BE PLACED ON THE ATTACK SIDE OF THE FENCE FABRIC. FOR NEW CONSTRUCTION, CABLE SHALL BE INSTALLED ON ATTACK SIDE OF POST, BETWEEN POST AND FABRIC.



TYPICAL ELEVATION OF END POST DEADMAN AND LINE POST LAYOUT
SCALE 1/2" = 1'-0"

LAYOUT OF REINFORCING

DESIGNER OF RECORD TO LOCATE DEADMAN ON SITE PLANS, SATISFYING SPECIFIC CRITERIA, OVERLAPS, AND FENCE CORNERS / TURNING POINTS. AT GATES IT IS DESIRABLE TO HAVE TRAFFIC ON EITHER SIDE OF A MEDIUM TO PREVENT AND PROTECT INDEPENDENTLY (NOT UTILIZING THE SAME DEADMAN SYSTEMS). HYDROFLEX DEADMAN SHOULD BE PLACED IN THE MEDIUM TO ANCHOR THE GATE REINFORCING FOR EACH SIDE OF THE ROAD. IF AVAILABLE, HYDROFLEX DEADMAN (GALVANNEZED PAINTED) SHALL BE USED. THERE IS NO PHYSICAL MEDIUM (GALVANNEZED PAINTED) LINES FOR DEADMAN PLACEMENT BETWEEN THE GATES. ENSURE THAT THE CABLES FOR BOTH GATES ARE CONNECTED— EITHER DIRECTLY OR VIA AN INTERMEDIATE CABLE WHICH CREATES AN INTERVAL CABLE SYSTEM ACROSS THE ENTIRE GATE AREA.

MODIFICATIONS TO TYPICAL DESIGN

NOTE: FOR CONSTRUCTION, IF LARGER DESIGN THREATS OR CUSTOMER REQUESTS INDICATE A NEED FOR GREATER SECURITY, MORE 3/4" CABLES CAN BE UTILIZED ON THE CABLES CAN BE UPGRADED TO 1" & BOTH SCHEMATIC REQUIRE THE DEADMAN WHICH WILL NEED TO BE LARGER TO BE DESIGNED TO WITHSTAND THE IMPACT OF THE THREAT. THE DESIGNER SHALL BE RESPONSIBLE FOR THE DESIGN OF THE DEADMAN AND THE COST FOR ADDITIONAL DOCUMENTATION AND NEW CONCRETE PER CUBIC FOOT.

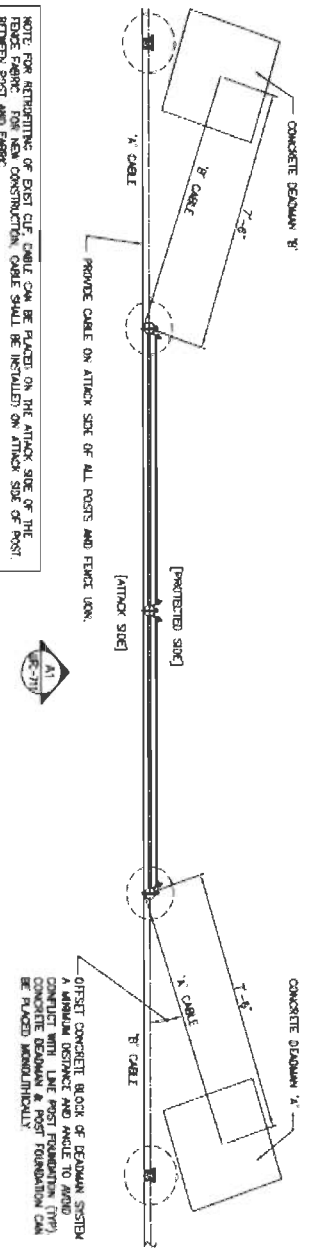
IF 1" CABLE IS USED, SPECIFICATIONS SHALL MATCH ABOVE NOTE 1 ON THIS SHEET, EXCEPT THE CABLE SHALL HAVE A MINIMUM BREAKING STRENGTH OF 70,000 LBS (35 TONS), CABLE THICKNESS AND OTHER ASSOCIATED HARDWARE SHALL BE SIZED ACCORDINGLY.

GRAPHIC SCALES

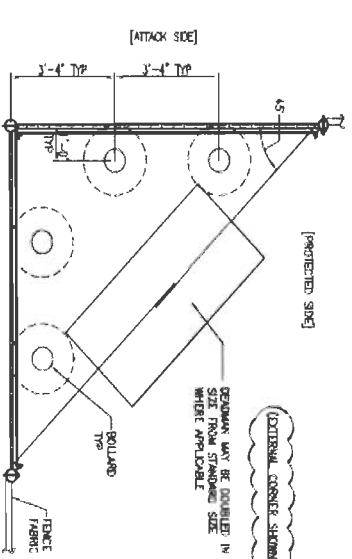


CALL OUTS: A1, C1

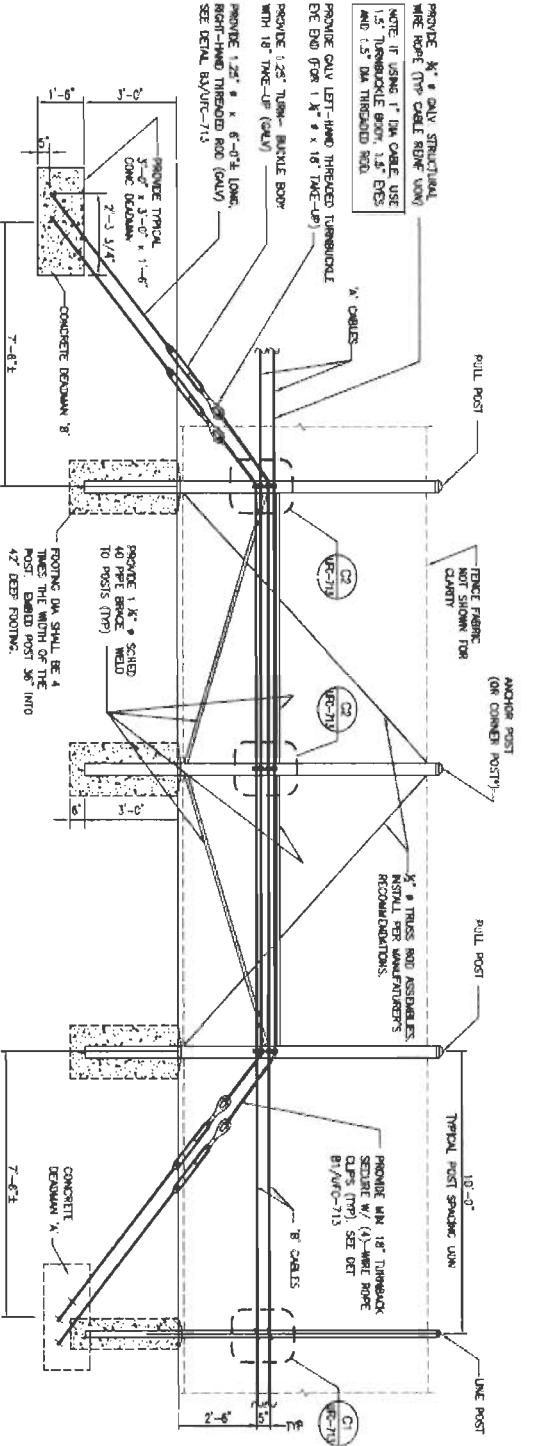
TYPICAL CABLE REINF CHAIN-LINK FENCE - DEADMAN AND LINE POST (ANTI-RAMMING CABLES), UFC-711



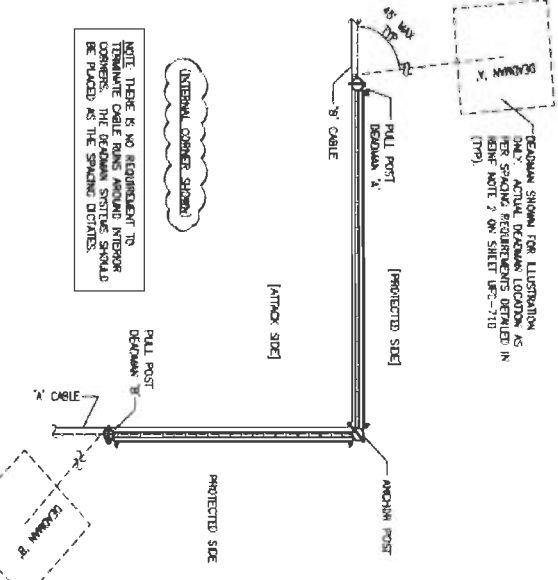
TYPICAL PLAN OF DEADMAN AND LINE POST LAYOUT
SCALE: 1/2" = 1'-0"



TYPICAL PLAN OF TURNING POINT POST LAYOUT
SCALE: 1/2" = 1'-0"



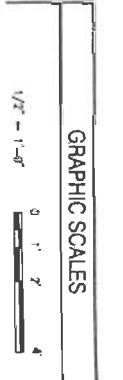
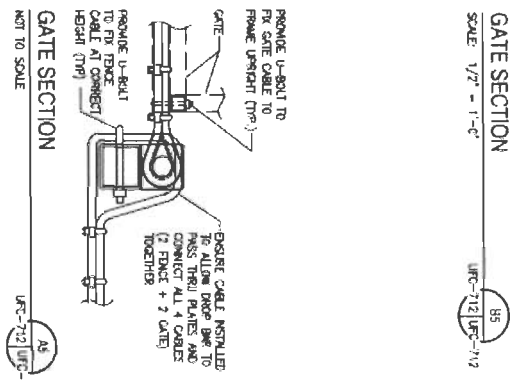
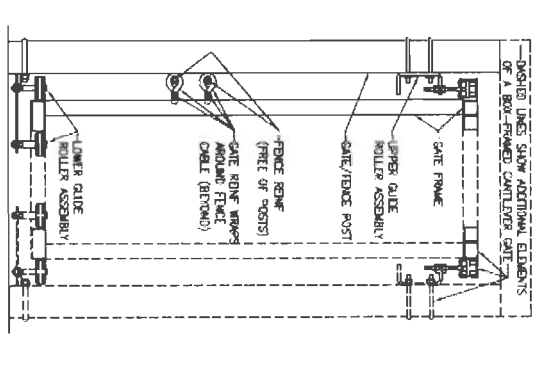
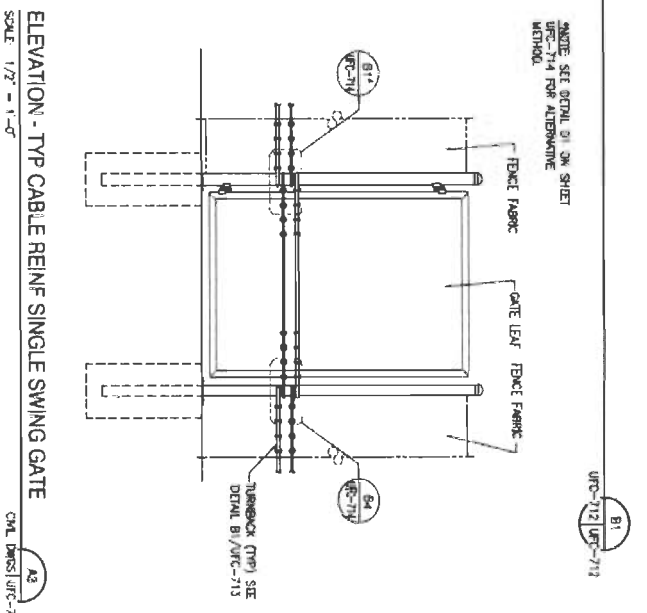
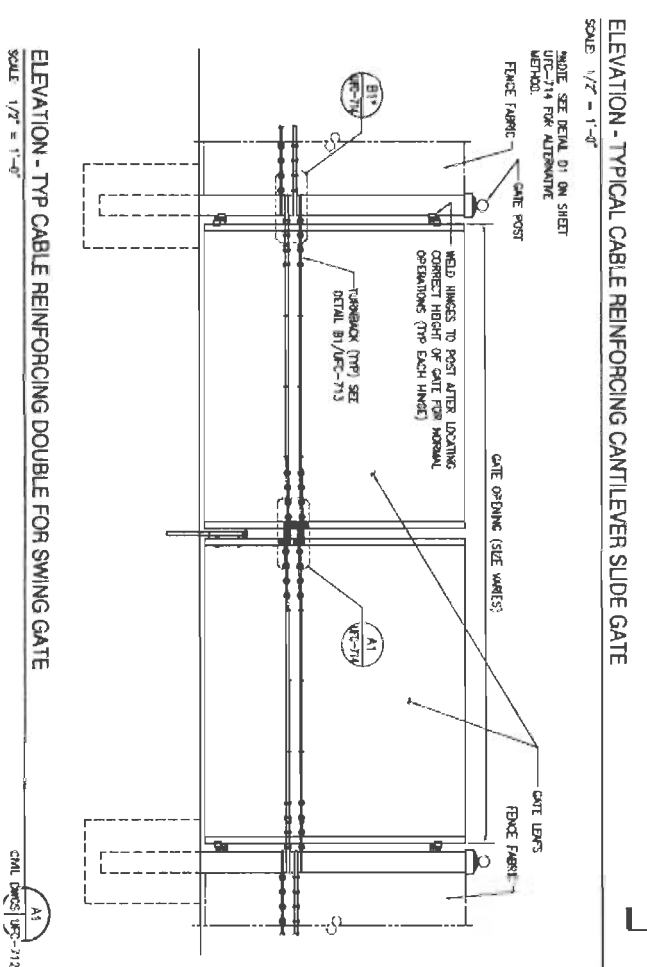
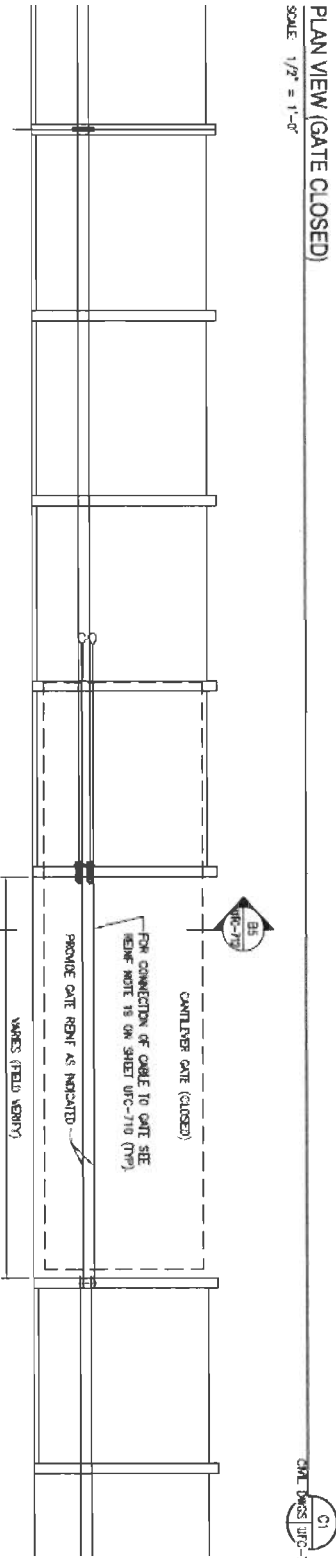
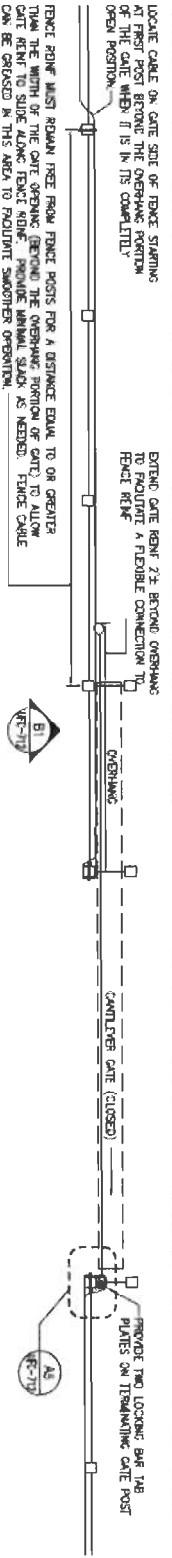
TYPICAL ELEVATION OF DEADMAN AND LINE POST LAYOUT
SCALE: 1/2" = 1'-0"



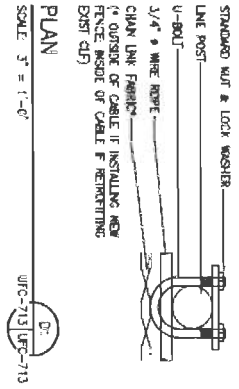
TYPICAL PLAN OF TURNING POINT POST LAYOUT
SCALE: 1/2" = 1'-0"



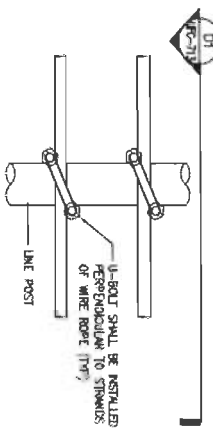
TYPICAL CABLE REINF CHAIN-LINK FENCE -GATES (ANTI-RAMMING CABLES), UFC-712



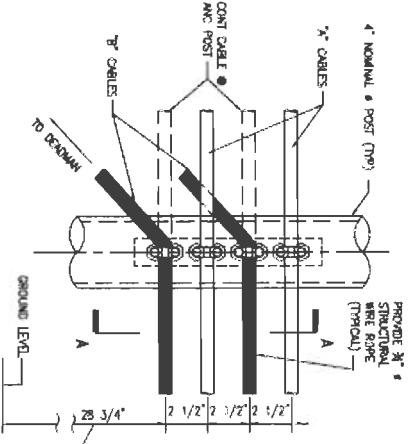
CABLE REINF (ANTI-RAMMING CABLES) DETAILS, UFC-713



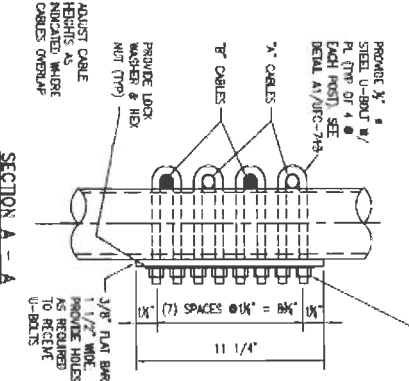
SCALE: 5" = 1'-0" UFC-713 | UFC-713



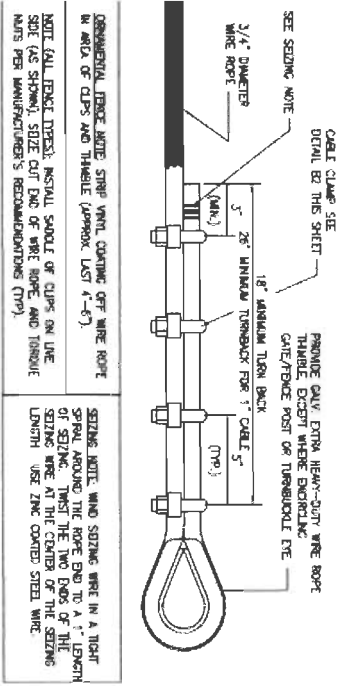
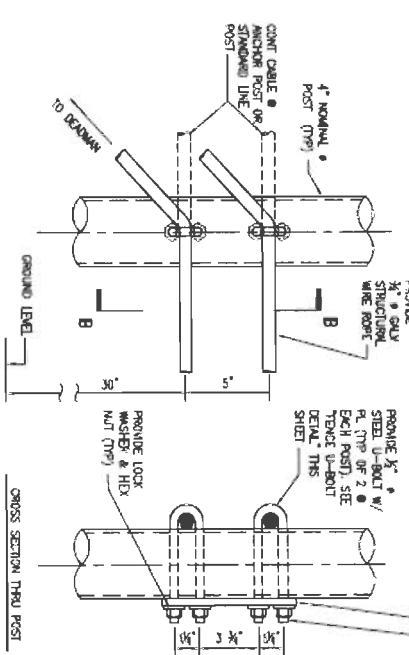
SCALE: 5" = 1'-0" UFC-711 | UFC-710 | UFC-713



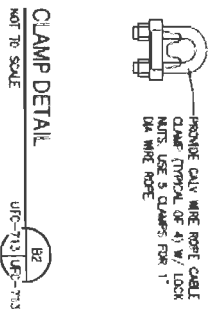
SCALE: 5" = 1'-0" UFC-710 | UFC-713



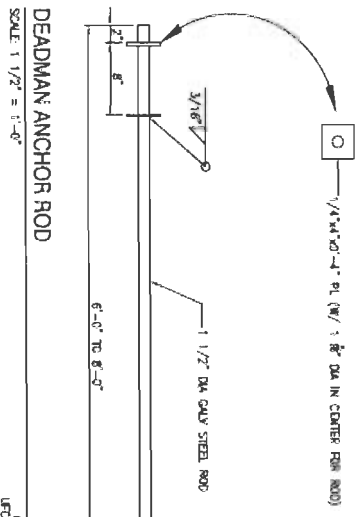
SCALE: 5" = 1'-0" UFC-710 | UFC-713



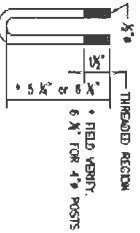
SCALE: 5" = 1'-0" UFC-710 | UFC-711 | UFC-712 | UFC-720 | UFC-721 | UFC-722 | UFC-713



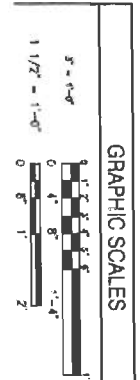
SCALE: 5" = 1'-0" UFC-712 | UFC-713



SCALE: 1 1/2" = 1'-0" UFC-710 | UFC-711 | UFC-713



SCALE: 5" = 1'-0" UFC-713 | UFC-713



GRAPHIC SCALES