

State of Florida  
Department of Transportation  
Procurement Office, MS 7-700  
11201 North McKinley Drive  
Tampa, Florida 33612-6456

**INVITATION TO BID (ITB) REGISTRATION**

\*\*\*\*\*

**PLEASE COMPLETE AND RETURN THIS FORM ASAP**

**FAX TO (813) 975-6473 OR E-MAIL TO LORI VICARI, LORI.VICARI@DOT.STATE.FL.US**

\*\*\*\*\*

Bid Number: ITB-DOT-17/18-7014LV

Title: District Seven Headquarters Lobby Restrooms and Offices of Transportation Development Renovations

Bid Due Date & Time (On or Before): See "TIMELINE" in INTRODUCTION SECTION

Potential bidders should notify our office by returning this Bid Registration Form as soon as possible after downloading. Complete the information below and fax this sheet only to the Florida Department of Transportation Procurement Office at (813) 975-6473 or e-mail to Lori Vicari, lori.vicari@dot.state.fl.us.

**THE ITB DOCUMENT YOU RECEIVED IS SUBJECT TO CHANGE. Notice of changes (Addenda), will be posted on the Florida Vendor Bid System at www.myflorida.com, under this bid number (click on "BUSINESS", click on "Doing Business with the State", under "Everything for Vendors and Customers", click on "Vendor Bid System (VBS)", then click on "Search Advertisements", click on the drop-down arrow beside the box under "Advertisement Type", select "Competitive Solicitation", click on the drop-down arrow beside the box under "Agency", select "DEPARTMENT OF TRANSPORTATION", then go to the bottom of the same page and click on "Advertisement Search"). It is the responsibility of all potential bidders to monitor this site for any changing information prior to submitting your bid.**

Company Name: \_\_\_\_\_

Address: \_\_\_\_\_

City, State, Zip: \_\_\_\_\_

Telephone: (\_\_\_\_) \_\_\_\_\_ Fax Number: (\_\_\_\_) \_\_\_\_\_

Contact Person: \_\_\_\_\_

Internet E-Mail Address: \_\_\_\_\_

For further information on this process, e-mail or telephone: Lori Vicari, Contract Administrator, lori.vicari@dot.state.fl.us, (813) 975-6199 or (800) 226-7220 x6199.

**State of Florida  
Department of Transportation**



**INVITATION TO BID  
DISTRICT SEVEN HEADQUARTERS LOBBY RESTROOMS  
AND OFFICES OF TRANSPORTATION DEVELOPMENT  
RENOVATIONS**

**ITB-DOT-17/18-7014LV**

**CONTACT FOR QUESTIONS:**

Lori Vicari, Contract Administrator

[lori.vicari@dot.state.fl.us](mailto:lori.vicari@dot.state.fl.us)

Fax: (813) 975-6473

Phone: (813) 975-6199 or (800) 226-7220 x6199

Florida Department of Transportation

Procurement Office, MS 7-700

11201 North McKinley Drive

Tampa, Florida 33612-6456

# INTRODUCTION SECTION

## 1) INVITATION

The State of Florida Department of Transportation (hereinafter referred to as the "Department") is soliciting written bids from qualified bidders to establish a contract to provide lobby restrooms and offices of Transportation Development renovations at District Seven Headquarters. It is anticipated that the term of the contract will begin upon execution and a notice to proceed and be effective for 60 days thereafter.

For the purpose of this document, the term "bidder" means the bidder acting on their own behalf and those individuals, partnerships, firms, or corporations comprising the bidder team. The term "bid package" means the complete response of the bidder to the Invitation to Bid, including properly completed forms and supporting documentation. After the award, said bidder will be referred to as the "Vendor".

## 2) TIMELINE

Provided below is a list of critical dates and actions. These dates are subject to change. Notices of changes (Addenda) will be posted on the Florida Vendor Bid System at [www.myflorida.com](http://www.myflorida.com) (click on "BUSINESS", click on "Doing Business with the State", under "Everything for Vendors and Customers", click on "Vendor Bid System (VBS)", click on "Search Advertisements") under this bid number. It is the responsibility of all potential bidders to monitor this site for any changing information prior to submitting your bid.

<b>ACTION / LOCATION</b>	<b>DATE</b>	<b>LOCAL TIME</b>
<b>MANDATORY PRE-BID CONFERENCE</b> Florida Department of Transportation 11201 North McKinley Drive Tampa, Florida 33612-6456 Pelican Conference Room	<b>12-11-2017</b>	<b>9:30 AM</b>
<b>DEADLINE FOR TECHNICAL QUESTIONS -</b> There is no deadline for administrative questions.	<b>12-12-2017</b>	<b>1:00 PM</b>
<b>BIDS DUE (ON OR BEFORE) -</b> Florida Department of Transportation Attn: Lori Vicari, MS 7-700 11201 North McKinley Drive Tampa, Florida 33612-6456 813 975-6199	<b>12-27-2017</b>	<b>1:30 PM</b>
<b>PUBLIC OPENING -</b> Florida Department of Transportation 11201 North McKinley Drive Tampa, Florida 33612-6456 Flamingo Conference Room	<b>12-28-2017</b>	<b>9:00 AM</b>
<b>POSTING OF INTENDED DECISION/AWARD -</b>	<b>01-02-2018</b>	<b>3:00 PM</b>

## 3) MANDATORY PRE-BID AGENDA

Starting Time: see section 2) Timeline

- Review contract/administrative requirements.
- Review Exhibit "A", Scope of Services, Exhibit "B", Method of Compensation, and Exhibit "C", Bid Sheet.
- Technical and administrative question and answer session.

- Adjourn.

#### **4) BID OPENING AGENDA**

The sealed bids will be opened by the Department's Procurement Office personnel at the date, time and location in the Timeline. All bid openings are open to the public and will be conducted according to the following agenda:

- Opening remarks – Approximate time of two minutes by Department Procurement Office personnel.
- Public input period – To allow a maximum of 15 minutes total for public input related to the bid solicitation.
- Bids opened – At conclusion of public input or 15 minutes, whichever occurs first, bids received timely will be opened with bidder's name and prices to be read aloud.
- Adjourn - After all bids received timely have been opened, the meeting will be adjourned.

#### **5) SPECIAL ACCOMMODATIONS**

Any person with a qualified disability requiring special accommodations at a pre-bid conference, public meeting, and/or opening shall contact the contact person at the phone number, e-mail address or fax number provided on the title page at least five working days prior to the event. If you are hearing or speech impaired, please contact this office by using the Florida Relay Services which can be reached at 1 (800) 955-8771 (TDD).

## **SPECIAL CONDITIONS**

#### **1) MYFLORIDAMARKETPLACE**

BIDDERS MUST BE REGISTERED IN THE STATE OF FLORIDA'S MYFLORIDAMARKETPLACE SYSTEM BY THE TIME AND DATE OF THE BID OPENING OR THEY MAY BE CONSIDERED NON-RESPONSIVE (see Special Condition 21). All prospective bidders that are not registered should go to <https://vendor.myfloridamarketplace.com/> to complete on-line registration, or call 1-866-352-3776 for assisted registration.

All payment(s) to the vendor resulting from this competitive solicitation **WILL** be subject to the MFMP Transaction Fee in accordance with the referenced Form PUR 1000 General Contract Condition #14. However, all vendors should be aware, that effective July 1, 2017 through June 30, 2018, in accordance with House Bill 5003 Sec.73, the Transaction Fee will be seven-tenths of one percent (.70%) of the payment issued. The Transaction Fees imposed shall be based upon the date of issuance of the payment.

#### **2) FLORIDA DEPARTMENT OF FINANCIAL SERVICES (DFS) W-9 REQUIREMENT**

The Florida Department of Financial Services (DFS) requires all vendors that do business with the state to submit an electronic Substitute Form W-9. Vendors must submit their W-9 forms electronically at <https://flvendor.myfloridacfo.com> to receive payments from the state. Contact the DFS Customer Service Desk at (850) 413-5519 or [FLW9@myfloridacfo.com](mailto:FLW9@myfloridacfo.com) with any questions.

#### **3) QUESTIONS & ANSWERS**

In accordance with section 287.057(23), Florida Statutes (F.S.), respondents to this solicitation or persons acting on their behalf may not contact, between the release of the solicitation and the end of the 72-hour period following the agency posting the notice of intended award, excluding Saturdays, Sundays, and state holidays, any employee or officer of the executive or legislative branch concerning any aspect of this solicitation, except in writing to the Contract Administrator as provided in the solicitation documents. Violation of this provision may be grounds for rejecting a response.

Any technical questions arising from this ITB must be forwarded, in writing, to the Contract Administrator

identified below. Questions must be received no later than the time and date reflected on the Timeline. The Department's written response to written inquiries submitted timely by bidders will be posted on the Florida Vendor Bid System at [www.myflorida.com](http://www.myflorida.com) (click on "BUSINESS", click on "Doing Business with the State", under "Everything for Vendors and Customers", click on "Vendor Bid System (VBS)", click on "Search Advertisements"), under this bid number. It is the responsibility of all potential bidders to monitor this site for any changing information prior to submitting their bid.

**WRITTEN TECHNICAL QUESTIONS** should be submitted to:

Lori Vicari, Contract Administrator  
[lori.vicari@dot.state.fl.us](mailto:lori.vicari@dot.state.fl.us)  
Florida Department of Transportation  
Procurement Office, MS 7-700,  
11201 N. McKinley Drive  
Tampa, Florida 33612-6456  
Fax: (813) 975-6473.

Questions regarding administrative aspects of the bid process should be directed to the Contract Administrator in writing at the address above or by phone: (813) 975-6199 or (800) 226-7220 x6199.

#### **4) ORAL INSTRUCTIONS / CHANGES TO THE INVITATION TO BID (ADDENDA)**

No negotiations, decisions, or actions will be initiated or executed by a bidder as a result of any oral discussions with a State employee. Only those communications which are in writing from the Department will be considered as a duly authorized expression on behalf of the Department.

Notices of changes (Addenda) will be posted on the Florida Vendor Bid System at [www.myflorida.com](http://www.myflorida.com) (click on "BUSINESS", click on "Doing Business with the State", under "Everything for Vendors and Customers", click on "Vendor Bid System (VBS)", click on "Search Advertisements") under this bid number. It is the responsibility of all potential bidders to monitor this site for any changing information prior to submitting your bid. All Addenda will be acknowledged by signature and subsequent submission of Addenda with bid when so stated in the Addenda.

#### **5) DIVERSITY ACHIEVEMENT**

##### **MINORITY BUSINESS ENTERPRISE (MBE) UTILIZATION**

The Department, in accordance with *Title VI of the Civil Rights Act of 1964, 42 USC 2000d- 2000d-4, Title 49, Code of Federal Regulations, U.S. Department of Transportation, Subtitle A, Office of the Secretary, Part 21*, Nondiscrimination in federally-assisted programs of the Department of Transportation issued pursuant to such Act, hereby notifies all bidders that the Department will affirmatively ensure that in any contract/agreement entered into pursuant to this advertisement, minority and disadvantaged business enterprises will be afforded the full opportunity to submit bids in response to this invitation and will not be discriminated on the basis of race, color, national origin, or sex in consideration for an award.

The Department encourages small, minority, women, and service-disabled veteran businesses to compete for Department contracts, both as "Vendor" and as subcontractors. The Department, its vendors, suppliers, and consultants should take all necessary and reasonable steps to ensure that small, minority, women, and service-disabled veteran businesses have the opportunity to compete for and perform contract work for the Department in a nondiscriminatory environment. Bidders are requested to indicate their intention regarding MBE participation on the MBE Planned Utilization form and to submit the completed form with their Bid Sheet. The contract vendor will be asked to submit payment certification for MBE subcontractors used.

To request certification or to locate certified MBEs, call the Office of Supplier Diversity, Department of Management Services at (850) 487-0915, or access their MBE directory on the Internet at [www.osd.dms.state.fl.us/](http://www.osd.dms.state.fl.us/).

## **6) SCOPE OF SERVICES**

Details of the services, information and items to be furnished by the Vendor are described in Exhibit "A", Scope of Services, attached hereto and made a part hereof.

## **7) INTENDED AWARD**

The Department intends to award this contract to the responsive and responsible bidder that submits the lowest responsive bid. If the Department is confronted with identical pricing or scoring from multiple vendors, the Department shall determine the order of award in accordance with section 295.187(4), F.S., and Rule 60A-1.011 Florida Administrative Code (F.A.C.)

## **8) MANDATORY PRE-BID CONFERENCE**

A MANDATORY pre-bid conference will be held at the date, time and location in the Timeline. The purpose of this meeting is to provide an open forum for the Department to review the Exhibit "A", Scope of Services and respond to questions from potential bidders regarding the Scope of Services, ITB requirements, contractual requirements, method of compensation, and other conditions or requirements that may, in any manner, affect the work to be performed. Any changes and/or resulting Addenda to the ITB will be the sole prerogative of the Department.

**Attendance at this pre-bid conference is MANDATORY.** Failure by a bidder to attend or be represented at this pre-bid conference will constitute a non-responsive determination of their bid package. Bids found to be non-responsive will not be considered.

## **9) QUALIFICATIONS**

### **9.1 GENERAL**

Bidder must meet the following minimum qualifications:

9.1.1 Been actively engaged in the type of business being requested for a minimum of five years.

9.1.2 Vendor must hold a Florida General Contractors License.

### **9.2 BIDDER QUALIFICATIONS**

When submitting the bid, each bidder must submit a written statement ("Minimum Qualifications Statement" form), detailing their qualifications that demonstrate they meet the minimum qualifications contained in Special Condition 9.1.1, above. Failure by the bidder to provide the above item(s) will constitute a non-responsive determination. Bids found to be non-responsive will not be considered.

### **9.3 AUTHORIZED TO DO BUSINESS IN THE STATE OF FLORIDA**

In accordance with sections 607.1501, 605.0211(2)(b), and 620.9102 F.S., out of state corporations, out of state limited liability companies, and out of state limited partnerships must be authorized to do business in the State of Florida. Such authorization should be obtained by the bid due date and time, but in any case, must be obtained prior to posting of the intended award of the contract. For authorization, contact:

Florida Department of State  
Tallahassee, Florida 32399  
(850) 245-6051

### **9.4 LICENSE TO CONDUCT SERVICES IN THE STATE OF FLORIDA**

If the services being provided requires that individuals be licensed by the Department of Business and

Professional Regulation, such licenses should be obtained by the bid due date and time, but in any case, must be obtained prior to posting of the intended award of the contract.

For licensing, contact:

Florida Department of Business and Professional Regulation  
Tallahassee, Florida 32399-0797  
(850) 487-1395

#### **10) WARRANTY/SUBSTITUTIONS**

When performance of the services requires the supply of commodities, a warranty is required on all items provided against defective materials, workmanship, and failure to perform in accordance with required industry performance criteria, for a period of not less than 90 days from the date of acceptance by the purchaser. Any deviation from this criteria must be documented in the bid response or the above statement shall prevail. Delivery of substitute commodities requires prior written approval from the ordering location.

Replacement of all materials found defective within the warranty period shall be made without cost to the purchaser, including transportation if applicable. All fees associated with restocking cancelled orders shall be the responsibility of the vendor.

All items provided during the performance of the contract found to be poorly manufactured will not be accepted, but returned to the vendor, at their expense, for replacement. Replacement of all items found defective shall be made without cost to the Department, including transportation, if applicable. As it may be impossible for each facility to inspect all items upon arrival, a reasonable opportunity must be given to these facilities for inspection of the items, and returning those that are defective.

#### **11) LIABILITY INSURANCE**

The Vendor shall not commence any work until they have obtained the following types of insurance, and certificates of such insurance have been received by the Department. Nor shall the Vendor allow any subcontractor to commence work on this project until all similar insurance required of the subcontractor has been so obtained. The Vendor shall submit the required Certificates of Insurance to the **Florida Department of Transportation, Procurement Office, MS 7-700, Attn: Lori Vicari, Contract Administrator [lori.vicari@dot.state.fl.us](mailto:lori.vicari@dot.state.fl.us), 11201 North McKinley Drive, Tampa, Florida 33612-6456** within 10 days after the ending date of the period for posting the intended award decision.

The Vendor must carry and keep in force during the period of this contract a general liability insurance policy or policies with a company authorized to do business in the State of Florida, affording public liability insurance with combined bodily injury limits of at least \$200,000.00 minimum per person and \$300,000.00 minimum each occurrence, and property damage insurance of at least \$200,000.00 minimum each occurrence, for the services to be rendered in accordance with this contract

With respect to any general liability insurance policy required pursuant to this Agreement, all such policies shall be issued by companies licensed to do business in the State of Florida. The Vendor shall provide to the Department certificates showing the required coverage to be in effect with endorsements showing the Department to be an additional insured prior to commencing any work under this Contract. The certificates and policies shall provide that in the event of any material change in or cancellation of the policies reflecting the required coverage, thirty days advance notice shall be given to the Department or as provided in accordance with Florida law.

The Department shall be exempt from, and in no way liable for, any sums of money which may represent a deductible in any insurance policy. The payment of such deductible shall be the sole responsibility of the Vendor or subcontractor providing such insurance. Policies that include Self Insured Retention (SIR) will not be accepted.

**12) PERFORMANCE BOND**

A Performance Bond is not required for this project.

**13) METHOD OF COMPENSATION**

Details of the Method of Compensation are described in Exhibit "B", attached hereto and made a part hereof.

**14) CONTRACT DOCUMENT**

**STANDARD WRITTEN AGREEMENT**

The Department's "Standard Written Agreement" is attached hereto and made a part hereof. The terms and conditions contained therein will become an integral part of the contract resulting from this solicitation. In submitting a bid, the bidder agrees to be legally bound by these terms and conditions.

**15) REVIEW OF BIDDER'S FACILITIES & QUALIFICATIONS**

After the bid due date and prior to contract execution, the Department reserves the right to perform or to have performed, an on-site review of the bidder's facilities and qualifications. This review will serve to verify data and representations submitted by the bidder and may be used to determine whether the bidder has adequate facilities, equipment, qualified and experienced staff, and overall management capabilities to provide the required services. The review may also serve to verify whether the bidder has financial capabilities adequate to meet the contract requirements.

**Should** the Department determine that the bid package has material misrepresentations or that the size or nature of the bidder's facilities, equipment, management capabilities, or the number of experienced personnel (including technical staff) are not adequate to ensure satisfactory contract performance, the Department has the right to reject the bid.

**16) PROTEST OF INVITATION TO BID SPECIFICATIONS**

Any person who is adversely affected by the contents of this ITB must file the following with the Department of Transportation, Clerk of Agency Proceedings, Office of the General Counsel, 605 Suwannee Street, Mail Station 58, Tallahassee, Florida 32399-0450:

1. A written notice of protest within 72 hours after the posting of the solicitation, (the notice of protest may be faxed to 850-414-5264), and
2. A formal written protest in compliance with Section 120.57(3), F.S., within 10 days of the date on which the written notice of protest is filed.

Failure to file a protest within the time prescribed in section 120.57(3), F.S., or failure to post the bond or other security required by law within the time allowed for filing a bond shall constitute a waiver of proceedings under Chapter 120, F.S.

**17) UNAUTHORIZED ALIENS**

The employment of unauthorized aliens by any contractor is considered a violation of Section 274A (e) of the Immigration and Nationality Act. If the contractor knowingly employs unauthorized aliens, such violation shall be cause for unilateral cancellation of the contract.

**18) SCRUTINIZED COMPANIES LISTS**



Responses of \$1 million or more must include a completed Vendor Certification Regarding Scrutinized Companies Lists to certify the respondent is not on either of those lists. The Form should be submitted with the Price Proposal.

Section 287.135, F.S., requires that at the time a vendor submits a bid or proposal for a contract for goods or services of \$1,000,000 or greater, the vendor must certify that the company is not on Scrutinized Companies with Activities in the Sudan List, the Scrutinized Companies with Activities in the Iran Petroleum Energy Sector List, or the Scrutinized Companies that Boycott Israel List.

For Contracts \$1,000,000 and greater, if the Department determines the Vendor submitted a false certification under Section 287.135(5) of the F.S., or if the Vendor has been placed on the Scrutinized Companies with Activities in the Sudan List, the Scrutinized Companies with Activities in the Iran Petroleum Energy Sector List, or the Scrutinized Companies that Boycott Israel List, the Department shall either terminate the Contract after it has given the Vendor notice and an opportunity to demonstrate the Department's determination of false certification was in error pursuant to Section 287.135(5)(a) of the F.S., or maintain the Contract if the conditions of Section 287.135(4) of the F.S. are met.

#### **19) RESERVATIONS**

The Department reserves the right to accept or reject any or all bids received and reserves the right to make an award without further discussion of the bids submitted. Therefore, the bidder should make sure that the bid package submitted is complete and accurate and submitted to ensure delivery on or before the bid opening time and date specified in this solicitation. It is understood that the bid will become a part of the Department's official file, without obligation to the Department.

#### **20) ADDITIONAL TERMS & CONDITIONS**

No conditions may be applied to any aspect of the ITB by the bidder. Any conditions placed on any aspect of the bid documents by the bidder may result in the bid being rejected as a conditional bid (see "RESPONSIVENESS OF BIDS"). **DO NOT WRITE IN CHANGES ON ANY ITB SHEET.** The only recognized changes to the ITB prior to bid opening will be a written Addenda issued by the Department.

#### **21) RESPONSIVENESS OF BIDS**

Bids will not be considered if not received by the Department **on or before** the date and time specified as the due date for submission. All bids must be typed or printed in ink. A responsive bid is an offer to provide the services specified in this ITB in accordance with all requirements of this ITB. Bids found to be non-responsive will not be considered. Bids may be rejected if found to be irregular or not in conformance with the requirements and instructions herein contained. A bid may be found to be irregular or non-responsive by reasons that include, but are not limited to, failure to utilize or complete prescribed forms, modifying the bid requirements, submitting conditional bids or incomplete bids, submitting indefinite or ambiguous bids, or executing forms or the bid sheet with improper and/or undated signatures. Other conditions which may cause rejection of bids include, evidence of collusion among bidders, obvious lack of experience or expertise to provide the required services, and failure to perform or meet financial obligations on previous contracts.

#### **22) BID SHEET**

The bidder must use the attached Bid Sheet to submit its bid. The Bid Sheet must be signed and dated in ink by a representative who is authorized to contractually bind the bidder. All bid sheets and other documentation submitted in response to this solicitation must be executed and submitted in a sealed envelope. **Indicate the bid number, with the time and date of the bid opening and Vendor name on the envelope used to return the bid.**

#### **23) ESTIMATED QUANTITIES**

The Department anticipates purchasing the estimated quantities shown on the bid sheet(s), for a one year period of any contract resulting from this bid. The estimated quantities are given only as a guideline for

preparing your bid and should not be construed as representing the actual quantities to be authorized under this contract. The Vendor(s) shall supply, at bid prices, the actual quantities authorized regardless of whether the total of such quantities is more or less than anticipated. This bid and the resulting contract will be subject to annual appropriated funding.

#### **24) "DRUG-FREE WORK PLACE" PREFERENCE**

Whenever two or more bids which are equal with respect to price, quality, and service are received, the Department shall determine the order of award in accordance with section 295.187(4), F.S., and Rule 60A-1.011 F.A.C., which includes a preference for bid responses that certify the business has implemented a drug-free workplace program in accordance with Section 287.087, F.S. The "Drug-Free Workplace Program Certification" must be completed and submitted with the bid response to be eligible for this preference.

#### **25) COPYRIGHTED MATERIAL**

Copyrighted material will be accepted as part of a bid only if accompanied by a waiver that will allow the Department to make paper and electronic copies necessary for the use of Department staff and agents. It is noted that copyrighted material is not exempt from the Public Records Law, Chapter 119, F.S. Therefore, such material will be subject to viewing by the public, but copies of the material will not be provided to the public.

#### **26) ATTACHMENT TO ITB SUBMITTAL - CONFIDENTIAL MATERIAL**

The Bidder must include any materials it asserts to be exempted from public disclosure under Chapter 119, F.S., in a separate bound document labeled "Attachment to ITB, Number ITB-DOT- 17/18-7014LV - Confidential Material". The Bidder must identify the specific Statute that authorizes exemption from the Public Records Law. Any claim of confidentiality on materials the Bidder asserts to be exempt from public disclosure and placed elsewhere in the bid will be considered waived by the Bidder upon submission, effective after opening.

#### **27) MAIL OR DELIVER BIDS TO: (DO NOT FAX OR SEND BY E-MAIL)**

Florida Department of Transportation  
Procurement Office, MS 7-700  
Attn: Lori Vicari, Contract Administrator  
11201 North McKinley Drive  
Tampa, Florida 33612-6456  
Phone # (813) 975-6199 or (800) 226-7220 x6199

It is the bidder's responsibility to assure that the bid is delivered to the proper place **on or before** the Bid Due date and time (See Introduction Section 2 Timeline). Bids which for any reason are not so delivered, will not be considered.

#### **28) MODIFICATIONS, RESUBMITTAL AND WITHDRAWAL**

Bidders may modify submitted bids at any time prior to the bid due date. Requests for modification of a submitted bid shall be in writing and must be signed by an authorized signatory of the bidder. Upon receipt and acceptance of such a request, the entire bid will be returned to the bidder and not considered unless resubmitted by the due date and time. Bidders may also send a change in a sealed envelope to be opened at the same time as the bid. The ITB number, opening date and time should appear on the envelope of the modified bid.

#### **29) POSTING OF INTENDED DECISION/AWARD**

##### **29.1 - General:**

The Department's decision will be posted on the Florida Vendor Bid System, at [www.myflorida.com](http://www.myflorida.com), (click on

"BUSINESS", click on "Doing Business with the State", under "Everything for Vendors and Customers", click on "Vendor Bid System (VBS)", on date and time in the Timeline, and will remain posted for a period of 72 hours. Any bidder who is adversely affected by the Department's recommended award or intended decision must file the following with the Department of Transportation, Clerk of Agency Proceedings, Office of the General Counsel, 605 Suwannee Street, Mail Station 58, Tallahassee, Florida 32399-0450:

1. A written notice of protest within 72 hours after posting of the Intended Award, (the notice of protest may be Faxed to 850-414-5264), and
2. A formal written protest and protest bond in compliance with Section 120.57(3), F.S., within 10 days of the date on which the written notice of protest is filed. At the time of filing the formal written protest, a bond (a cashier's check or money order may be accepted) payable to the Department must also be submitted in an amount equal to one percent of the estimated contract amount based on the contract price submitted by the protestor.

Failure to file a protest within the time prescribed in Section 120.57(3), F.S., or failure to post the bond or other security required by law within the time allowed for filing a bond shall constitute a waiver of proceedings under Chapter 120, F.S.

### **29.2 - Inability to Post:**

If the Department is unable to post as defined above, the Department will notify all bidders by electronic notification on the Florida Vendor Bid System (see special condition 29.1, above) or by mail, fax, and/or telephone. The Department will provide notification of any future posting in a timely manner.

### **29.3 - Request to Withdraw Bid:**

Requests for withdrawal will be considered if received by the Department, in writing, within 72 hours after the bid opening time and date. Requests received in accordance with this provision will be granted by the Department upon proof of the impossibility to perform based upon obvious error on the part of the bidder. Bidders that do not withdraw as stated above will forfeit their bid bond, if applicable.

## **30) AWARD OF THE CONTRACT**

Services will be authorized to begin when the Vendor receives the following document(s), as appropriate, indicating the encumbrance of funds and award of the contract:

A Standard Written Agreement executed by both parties, and a Notice to Proceed, issued by the Contract Manager.

## **31) ATTACHED FORMS**

Exhibit "C", Bid Sheet  
Minimum Qualifications Statement  
Drug-Free Workplace Program Certification (Form 375-040-18)  
Vendor Certification Regarding Scrutinized Companies Lists (Form 375-030-60)  
MBE Planned Utilization (Form 375-040-24)  
Bid Opportunity List

## **32) TERMS AND CONDITIONS**

### **32.1 General Contract Conditions (PUR 1000)**

The State of Florida's General Contract Conditions are outlined in form PUR 1000, which is a downloadable document incorporated into this ITB by reference. Any terms and conditions set forth in this ITB document take precedence over the PUR 1000 form where applicable.

<http://www.dms.myflorida.com/content/download/2933/11777/1000.pdf>

The following paragraphs do not apply to this ITB:

Paragraph 31, Dispute Resolution - PUR 1000

Paragraph 40, PRIDE – PUR 1000, when federal funds are utilized.

### **32.2 General Instructions to Respondents (PUR 1001)**

The State of Florida's General Instructions to Respondents are outlined in form PUR 1001, which is a downloadable document incorporated into this ITB by reference. Any terms and conditions set forth in this ITB document take precedence over the PUR 1001 form where applicable.

<http://www.dms.myflorida.com/content/download/2934/11780/1001.pdf>

The following paragraphs do not apply to this ITB:

Paragraph 3, Electronic Submission – PUR 1001

Paragraph 4, Terms and Conditions – PUR 1001

Paragraph 5, Questions – PUR 1001

### **32.3 MFMP Purchase Order Terms and Conditions**

All MFMP Purchase Order contracts resulting from this solicitation will include the terms and conditions of this solicitation and the State of Florida's standardized Purchase Order Terms and Conditions, which can be found at the Department of Management Services website at the following link:

[http://www.dms.myflorida.com/content/download/117735/646919/Purchase\\_Order\\_Terms\\_Sept\\_1\\_2015\\_.pdf](http://www.dms.myflorida.com/content/download/117735/646919/Purchase_Order_Terms_Sept_1_2015_.pdf)

Section 8(B), PRIDE, is not applicable when using federal funds.

### **33) ORDER OF PRECEDENCE**

All responses are subject to the terms and conditions of this solicitation, which, in case of conflict, shall have the following order of precedence listed:

Special Conditions

Exhibit "A", Scope of Services

Exhibit "B", Method of Compensation

Exhibit "C", Bid Sheet

Signed and Sealed Plans

Office of Transportation Development Plans

Standard Written Agreement

Instructions to Respondents (PUR 1001)

General Conditions (PUR 1000)

Introduction Section

### **34) BUDGETARY LIMITATION**

The Department has a budgetary amount for the contract resulting from this solicitation. Budgetary limit of \$35,030.00 for the lobby restrooms renovation and \$17,000.00 for Offices of Transportation Development renovations. Bids received that exceed the budgetary amount will be considered non-responsive. See Special Condition 21, RESPONSIVENESS OF BIDS.

## **EXHIBIT "A"**

### **SCOPE OF SERVICES**

#### **DISTRICT SEVEN HEADQUARTERS LOBBY RESTROOMS AND OFFICES OF TRANSPORTATION DEVELOPMENT RENOVATIONS**

##### **I. OBJECTIVE**

The Florida Department of Transportation (FDOT), District Seven Headquarters, located at 11201 N. McKinley Dr., Tampa, FL 33612, seeks to obtain complete construction services of a qualified, experienced and licensed Contractor to perform demolition and renovation of the following projects:

- Approximately 482 square feet (SF) of restroom space to create an Americans with Disabilities Act (ADA) compliant facility.
- Provide construction services for the removal of existing non-load bearing drywall and two doorways in Transportation Development.

##### **II. SERVICES TO BE PROVIDED**

- A. Vendor shall obtain/provide all necessary permits, equipment, materials, parts, supplies, labor, manufacturer's warranties and Vendor's warranties for parts and labor.
- B. All demolition work shall be conducted outside of normal business hours. Normal business hours are Monday through Friday, 8:00 a.m. to 5:00 p.m., excluding state holidays.
- C. Vendor shall demolish and relocate one wall and the entrance door frame of lobby Women's restroom. The existing door shall be installed in a new location in accordance with the lobby restroom floorplan.
- D. Vendor shall saw cut concrete slab, remove, demolish and repour the concrete floor as necessary to accommodate plumbing.
- E. Vendor shall demolish and replace all tile, substrate and grout in both Men and Women's restrooms.
- F. Vendor shall furr-out the East wall five inches in both the Men's and Women's restroom to create a 16"- 18" distance from the centerline of the toilets to the East wall, install and finish gypsum board to create a new finished wall.
- G. Vendor shall relocate sinks, toilets, drains and waterlines, as needed to create a

ADA compliant complete assembly in both restrooms.

- H. Vendor shall rough-in electrical in new wall of Women's restroom and existing wall in the lobby Men's restroom to accommodate a hand drier.
- I. Vendor shall rework electrical, lighting, heating, ventilating, and air conditioning (HVAC) and ceiling as needed to match existing and meet ADA requirements.
- J. Vendor shall provide and install wall tile, bullnose, Schluter edge, grout and/or any other tile accessory to create a complete assembly.
- K. Vendor shall install grab bars, toilet paper holders, wall mounted soap dispensers, recessed paper towel dispenser and waste receptacle, baby changing stations, 4"x 24" stainless-steel shelf's, feminine napkin dispenser, and robe hooks.
- L. Vendor shall patch and texture all new or repaired gypsum board to match existing.
- M. Vendor will be responsible for repairing and finishing of any damage to the facility made by the Vendor and/or their sub-vendors during construction. Prior to final acceptance by the Department, the Department will generate a closing punch list that the Vendor will use to make any corrections or repairs to complete the project.

### **III. GENERAL REQUIREMENTS**

- A. Vendor shall complete all work in accordance with plans, specifications and all local and state laws and codes.
- B. Vendor must obtain all necessary permits and comply with all applicable local and state codes.
- C. Vendor's bid shall include all required permits, labor, materials, equipment and all miscellaneous expenses including mileage and relevant insurance coverage as required to perform the construction. The bid must also account for meetings with the FDOT Facilities Management, Contract Manager and members of their project team to discuss inspection report details, answer questions, sign off on all fixtures and finishes and provide clarification as necessary.
- D. All material supplied by the Vendor will be NEW and without flaws.
- E. All work will be inspected and approved by the Contract Manager prior to payment.

#### **IV. VENDOR'S RESPONSIBILITIES**

- A. Vendor shall field verify dimensions on the construction plans. Where conflict in design to existing plans occurs, Vendor shall submit a proposed solution prior to taking action.
- B. Vendor shall be responsible for compliance with all Occupational Safety and Health Administration (OSHA) rules and regulations.
- C. Vendor is required to be registered and licensed in the State of Florida for the work being performed, and shall have been actively engaged in this type of work for a minimum of five years.
- D. Work will take place in a fully occupied building and work area. The Vendor shall take all necessary precautions and implement necessary measures to ensure the safety of all persons on site, visiting the site and working on the site.
- E. Vendor shall make all necessary accommodations to minimize disturbances to the daily operations taking place within the building.
- F. Trash and debris shall not be placed in the FDOT trash dumpster or property.
- G. Vendor shall be responsible for any structure or property damage resulting from the work.
- H. Vendor shall submit a work schedule, including a material acquisition plan, to the Contract Manager at the meeting prior to work commencing. The Vendor shall coordinate all work activity schedules, material acquisitions and property access with the Contract Manager
- I. Vendor will supply and install wall tile and grout (Dahl Tile, Linden point LP 20 Beige) to match existing tile floor in the lobby.
- J. Vendor shall make all necessary accommodations to minimize disturbances to the daily operations taking place within the building.
- K. All debris and trash shall be removed from the site daily. Vendor shall comply with all applicable laws and regulations. Drop cloths shall be used where needed for overspray or spills.
- L. Vendor shall not obstruct hallways, egress routes, offices or any other route that would interfere with daily operations in any way.
- M. Vendor shall take all necessary precautions to protect and prevent any damage to flooring directly and indirectly around work area.

- N. All restroom fixtures and accessories shall be mounted to comply with all the ADA and barrier free requirements, including The Uniform Federal accessibility standards and the Florida Building Code accessibility.
- O. All new walls shall match construction of existing walls in like kind. Finishing of new walls in contact with existing walls shall be visually seamless and inconspicuous.
- P. Vendor shall protect the public from construction activities and provide for a secure construction site.
- Q. Prior to commencement of Vendor's work, the Vendor and Contract Manager shall walk through the project to establish a list of existing conditions. Items not identified and later damaged due to construction shall be the Vendor's responsibility, all existing shall be coordinated with new space configurations to identify potential conflicts.
- R. With respect to construction services in the Transportation Development are, construct non-load bearing walls and install one existing door and new frame. Also, rework electrical, lighting, heating, ventilation and air conditioning (HVAC) and ceiling grid as necessary. Paint all new walls and door frames. (FDOT to provide paint).

**V. ACCESS TO THE SITE, DELIVERY AND INSTALLATION LOCATION**

- A. FDOT will provide access to the Vendor and their sub-vendors to the Headquarters Building. The Vendor must coordinate with the FDOT access requirements for all employees and equipment of the Vendor and/or sub-vendors.
- B. Vendor shall supply to the Contract Manager a schedule of work hours/days requested. The Contract Manager will review the requested work schedule (hours and dates) will approve or request that the schedule be modified due to the FDOT requirements. All work performed, unless otherwise authorized by the Contract Manager, shall be done between the hours of 7:00 a.m. and 10:00 p.m. Monday through Friday, and 7:00 a.m. and 11:00 p.m. on Saturday and Sunday. There will be no variance in this schedule unless authorized in advance by the Contract Manager. Upon completion of tasks, the Vendor shall remove all excess and/or additional materials from premises. NO material will be allowed to be dumped into existing FDOT dumpsters.
- C. Vendor shall not cause disruption to the operations taking place outside the project work area. Vendor shall notify the Contract Manager should any disruptions need to take place as part of work.
- D. The FDOT will provide a designated area for a construction materials dumpster, to be supplied by the Vendor, as needed for the duration of the Project.



E. All work other than demolition work, will be performed between 7:30 a.m. to 10:00 p.m. Monday through Friday, and between the hours of 6:00 a.m. and 11:00 p.m. on weekends. Upon completion of task all excess and/or additional materials will be removed from premises. Any alternate work hours shall be agreed upon by both parties with the contract is executed.

**VI. BEGINNING AND LENGTH OF SERVICE**

The performance period of this agreement shall commence upon contract execution. Notice to Proceed and continue for a period of 60 days. Any extensions of time must be approved by the Department.

**VII. SERVICES/MATERIALS PROVIDED BY THE DEPARTMENT:**

A. The Department will designate a Contract Manager for administering the terms and conditions of this agreement as follows:

Griffin Dalton, District Seven Fixed Capital Outlay (FCO) Specialist  
Facilities Management  
813-975-6144  
Email address: griffin.dalton@dot.state.fl.us  
Phone number (813) 975-6144

FDOT reserves the right to change the Contract Manager or appoint a delegate at any time. After execution of the contract and prior to any work being performed, the Contract Manager shall schedule a meeting to coordinate all work activity schedules, material acquisitions and property access with the Vendor or their representative.

B. Electricity, restrooms, water and parking will be provided to the Vendor by the Department.

C. Floor tile to be provided to the Vendor by the Department.

## EXHIBIT "B"

### METHOD OF COMPENSATION

#### DISTRICT SEVEN HEADQUARTERS LOBBY RESTROOMS AND OFFICES OF TRANSPORTATION DEVELOPMENT RENOVATIONS

**I. PURPOSE:**

This Exhibit defines the limits and method of compensation to be made to the Vendor for services set forth in Exhibit "A" and the method by which payments shall be made.

**II. COMPENSATION:**

For the satisfactory performance of the services detailed in Exhibit "A", the Vendor shall be paid a Lump Sum Amount of \_\_\_\_\_.

**III. PROGRESS PAYMENTS:**

The Vendor shall submit one invoice in a format acceptable to the Department. Payment shall be made to the Vendor upon completion of all services, as approved by the Department.

Invoices shall be submitted to:

Florida Department of Transportation  
Griffin Dalton, Fixed Capital Outlay (FCO) Specialist  
Facilities Management, MS 7-240  
11201 North McKinley Drive  
Tampa, Florida 33612-6456

The Vendor has certified that 0% MBE utilization would be achieved for this contract. If MBE utilization was certified by the Vendor, an MBE payment certification form shall be submitted with each invoice to verify the MBE utilization.

**IV. TANGIBLE PERSONAL PROPERTY:**

This contract does not involve the purchase of Tangible Personal Property, as defined in Chapter 273, F.S.

## **VI. FINANCIAL CONSEQUENCES:**

Payment shall be made only after receipt and approval of goods and services unless advance payments are authorized by the Chief Financial Officer of the State of Florida under Chapters 215 and 216, Florida Statutes. Deliverable(s) must be received and accepted in writing by the Contract Manager on the Department's invoice transmittal forms prior to payment. If the Department determines that the performance of the Vendor is unsatisfactory, the Department shall notify the Vendor of the deficiency to be corrected, which correction shall be made within a time-frame to be specified by the Department. The Vendor shall, within five days after notice from the Department, provide the Department with a corrective action plan describing how the Vendor will address all issues of contract non-performance, unacceptable performance, failure to meet the minimum performance levels, deliverable deficiencies, or contract non-compliance. If the corrective action plan is unacceptable to the Department, the Vendor shall be assessed a non-performance retainage equivalent to 10% of the total invoice amount. The retainage shall be applied to the invoice for the then-current billing period. The retainage shall be withheld until the vendor resolves the deficiency. If the deficiency is subsequently resolved, the Vendor may bill the Department for the retained amount during the next billing period. If the Vendor is unable to resolve the deficiency, the funds retained must be forfeited at the end of the agreement period.

**EXHIBIT "C"**

**BID SHEET**

**DISTRICT SEVEN HEADQUARTERS LOBBY RESTROOMS AND OFFICES OF  
TRANSPORTATION DEVELOPMENT RENOVATIONS**

DESCRIPTION	PRICE
Demolition and construction/renovation of approximately 482 square feet (SF) of restrooms space to create an ADA compliant facility.	\$
Provide construction services for the removal of existing non-load bearing drywall and two doorways in Transportation Development.	\$
TOTAL:	\$

The bidder is to submit a lump sum price that shall contain all costs to include travel, labor, materials, equipment, overhead, general and administrative, incidental expenses, operating margin, and subcontractor cost, if any.

A Lump Sum Price must be submitted. Submission of a "No Bid" for any item will result in the Vendor's bid being declared non-responsive and not being considered for award (Reference Section 21 of the Invitation to Bid)

Services to be provided as specified in attached Exhibit "A", Scope of Services.

**NOTE:** In submitting a response, the bidder acknowledges they have read and agree to the solicitation terms and conditions and their submission is made in conformance with those terms and conditions.

**ACKNOWLEDGEMENT:** I certify that I have read and agree to abide by all terms and conditions of this solicitation and that I am authorized to sign for the bidder. I certify that the response submitted is made in conformance with all requirements of the solicitation.

Bidder: \_\_\_\_\_ FEID# \_\_\_\_\_

Address: \_\_\_\_\_ City, State, Zip: \_\_\_\_\_

Phone: \_\_\_\_\_ Fax: \_\_\_\_\_ E-mail: \_\_\_\_\_

Authorized Signature: \_\_\_\_\_ Date: \_\_\_\_\_

Printed/Typed: \_\_\_\_\_ Title: \_\_\_\_\_

STATE OF FLORIDA DEPARTMENT OF TRANSPORTATION  
STANDARD WRITTEN AGREEMENT

375-040-19  
PROCUREMENT  
OGC - 03/17  
Page 1 of 10

Agreement No. \_\_\_\_\_  
Financial Project I.D. 438862-1-52-01  
F.E.I.D. No.: \_\_\_\_\_  
Appropriation Bill Number(s)/Line Item Number(s) for 1st year of  
contract, pursuant to s. 216.313, F.S.: \_\_\_\_\_  
(required for contracts in excess of \$5 million)  
Procurement No.: ITB-DOT-17/18-7014LV  
72101500, 72101507, 7212100,  
DMS Catalog Class No.: 72121103

BY THIS AGREEMENT, made and entered into this \_\_\_\_ day of \_\_\_\_\_, \_\_\_\_ by and between the STATE OF FLORIDA DEPARTMENT OF TRANSPORTATION, hereinafter called the "Department" and \_\_\_\_\_, of \_\_\_\_\_ duly authorized to conduct business in the State of Florida, hereinafter called "Vendor," hereby agree as follows:

1. SERVICES AND PERFORMANCE

- A. In connection with District Seven Headquarters Lobby Restroom and Offices of Transportation Development Renovations, the Department does hereby retain the Vendor to furnish certain services, information, and items as described in Exhibit "A," attached hereto and made a part hereof.
- B. Before making any additions or deletions to the work described in this Agreement, and before undertaking any changes or revisions to such work, the parties shall negotiate any necessary cost changes and shall enter into an Amendment covering such work and compensation. Reference herein to this Agreement shall include any amendment(s).
- C. All tracings, plans, specifications, maps, computer files, and reports prepared or obtained under this Agreement, as well as all data collected, together with summaries and charts derived therefrom, shall be the exclusive property of the Department without restriction or limitation on their use and shall be made available, upon request, to the Department at any time during the performance of such services and/or upon completion or termination of this Agreement. Upon delivery to the Department of said document(s), the Department shall become the custodian thereof in accordance with Chapter 119, Florida Statutes. The Vendor shall not copyright any material and products or patent any invention developed under this Agreement. The Department shall have the right to visit the site for inspection of the work and the products of the Vendor at any time.
- D. All final plans, documents, reports, studies, and other data prepared by the Vendor shall bear the professional's seal/signature, in accordance with the applicable Florida Statutes, Administrative Rules promulgated by the Department of Business and Professional Regulation, and guidelines published by the Department, in effect at the time of execution of this Agreement. In the event that changes in the statutes or rules create a conflict with the requirements of published guidelines, requirements of the statutes and rules shall take precedence.
- E. The Vendor agrees to provide project schedule progress reports in a format acceptable to the Department and at intervals established by the Department. The Department shall be entitled at all times to be advised, at its request, as to the status of work being done by the Vendor and of the details thereof. Coordination shall be maintained by the Vendor with representatives of the Department, or of other agencies interested in the project on behalf of the Department. Either party to this Agreement may request and be granted a conference.
- F. All services shall be performed by the Vendor to the satisfaction of the Director who shall decide all questions, difficulties, and disputes of any nature whatsoever that may arise under or by reason of this Agreement, the prosecution and fulfillment of the services hereunder and the character, quality, amount of value thereof; and the decision upon all claims, questions, and disputes shall be final and binding upon the parties hereto. Adjustments of compensation and contract time because of any major changes in the work that may become necessary or desirable as the work progresses shall be subject to mutual agreement of the parties, and amendment(s) shall be entered into by the parties in accordance herewith.

Reference herein to the Director shall mean the  
Transportation Support Manager

2. TERM

A Initial Term. This Agreement shall begin on date of execution and shall remain in full force and effect through completion of all services required or 45 days, whichever occurs first. Subsequent to the execution of this Agreement by both parties, the services to be rendered by the Vendor shall commence and be completed in accordance with the option selected below. (Select box and indicate date(s) as appropriate):

Services shall commence \_\_\_\_\_ and shall be completed by \_\_\_\_\_ or date of termination, whichever occurs first.

Services shall commence upon written notice from the Department's Contract Manager and shall be completed by \_\_\_\_\_ or date of termination, whichever occurs first.

Other: See Exhibit "A"

B RENEWALS (Select appropriate box):

This Agreement may not be renewed.

This Agreement may be renewed for a period that may not exceed three (3) years or the term of the original contract, whichever is longer. Renewals are contingent upon satisfactory performance evaluations by the Department and subject to the availability of funds. Costs for renewal may not be charged. Any renewal or extension must be in writing and is subject to the same terms and conditions set forth in this Agreement and any written amendments signed by the parties.

C EXTENSIONS. In the event that circumstances arise which make performance by the Vendor impracticable or impossible within the time allowed or which prevent a new contract from being executed, the Department, in its discretion, may grant an extension of this Agreement. Extension of this Agreement must be in writing for a period not to exceed six (6) months and is subject to the same terms and conditions set forth in this Agreement and any written amendments signed by the parties; provided the Department may, in its discretion, grant a proportional increase in the total dollar amount based on the method and rate established herein. There may be only one extension of this Agreement unless the failure to meet the criteria set forth in this Agreement for completion of this Agreement is due to events beyond the control of the Vendor.

It shall be the responsibility of the Vendor to ensure at all times that sufficient time remains in the Project Schedule within which to complete services on the project. In the event there have been delays which would affect the project completion date, the Vendor shall submit a written request to the Department which identifies the reason(s) for the delay and the amount of time related to each reason. The Department shall review the request and make a determination as to granting all or part of the requested extension.

3. COMPENSATION AND PAYMENT

A Payment shall be made only after receipt and approval of goods and services unless advance payments are authorized by the Chief Financial Officer of the State of Florida under Chapters 215 and 216, Florida Statutes. Deliverable(s) must be received and accepted in writing by the Contract Manager on the Department's invoice transmittal forms prior to payment. If the Department determines that the performance of the Vendor is unsatisfactory, the Department shall notify the Vendor of the deficiency to be corrected, which correction shall be made within a time-frame to be specified by the Department. The Vendor shall, within five days after notice from the Department, provide the Department with a corrective action plan describing how the Vendor will address all issues of contract non-performance, unacceptable performance, failure to meet the minimum performance levels, deliverable deficiencies, or contract non-compliance. If the corrective action plan is unacceptable to the Department, the Vendor shall be assessed a non-performance retainage equivalent to 10% of the total invoice amount. The retainage shall be applied to the invoice for the then-current billing period. The retainage shall be withheld until the vendor resolves the deficiency. If the deficiency is subsequently resolved, the Vendor

will bill the Department for the retained amount during the next billing period. If the Vendor is unable to resolve the deficiency, the funds retained will be forfeited at the end of the agreement period.

- B. If this Agreement involves units of deliverables, then such units must be received and accepted in writing by the Contract Manager prior to payments.
- C. Bills for fees or other compensation for services or expenses shall be submitted in detail sufficient for a proper preaudit and postaudit thereof.
- D. The bills for any travel expenses, when authorized by terms of this Agreement and by the Department's Project Manager, shall be submitted in accordance with Section 112.061, Florida Statutes. In addition, if compensation for travel is authorized under this Agreement and by the Department's Project Manager, then the Department shall not compensate the Vendor for lodging/hotel expenses in excess of \$150.00 per day (excluding taxes and fees). The Vendor may expend their own funds to the extent the lodging/hotel expense exceeds \$150.00 per day. The Department, in its sole discretion and pursuant to its internal policies and procedures, may approve compensation to the Vendor for lodging/hotel expenses in excess of \$150.00 per day.
- E. Vendors providing goods and services to the Department should be aware of the following time frames. Upon receipt, the Department has five (5) working days to inspect and approve the goods and services, unless otherwise specified herein. The Department has twenty (20) days to deliver a request for payment (voucher) to the Department of Financial Services. The twenty (20) days are measured from the latter of the date the invoice is received or the goods or services are received, inspected and approved.
- F. If a payment is not available within forty (40) days, a separate interest penalty as established pursuant to Section 215.422, Florida Statutes, shall be due and payable, in addition to the invoice amount, to the Vendor. Interest penalties of less than one (1) dollar shall not be enforced unless the Vendor requests payment. Invoices which have to be returned to a Vendor because of Vendor preparation errors shall result in a delay in the payment. The invoice payment requirements do not start until a properly completed invoice is provided to the Department.
- G. The State of Florida, through the Department of Management Services, has instituted MyFloridaMarketPlace, a statewide eProcurement system. Pursuant to Section 287.057(22), Florida Statutes, all payments shall be assessed a transaction fee of one percent (1%), which the Vendor shall pay to the State. For payments within the State accounting system (FLAIR or its successor), the transaction fee shall, when possible, be automatically deducted from payments to the Vendor. If automatic deduction is not possible, the Vendor shall pay the transaction fee pursuant to Rule 60A-1.031 (2), Florida Administrative Code. By submission of these reports and corresponding payments, Vendor certifies their correctness. All such reports and payments shall be subject to audit by the State or its designee. The Vendor shall receive a credit for any transaction fee paid by the Vendor for the purchase of any item(s) if such item(s) are returned to the Vendor through no fault, act, or omission of the Vendor. Notwithstanding the foregoing, a transaction fee is non-refundable when an item is rejected or returned, or declined, due to the Vendor's failure to perform or comply with specifications or requirements of the Agreement. Failure to comply with these requirements shall constitute grounds for declaring the Vendor in default and recovering reprocurement costs from the Vendor in addition to all outstanding fees. **VENDORS DELINQUENT IN PAYING TRANSACTION FEES MAY BE EXCLUDED FROM CONDUCTING FUTURE BUSINESS WITH THE STATE.**
- H. A vendor ombudsman has been established within the Department of Financial Services. The duties of this individual include acting as an advocate for vendors who may be experiencing problems in obtaining timely payment(s) from a state agency. The Vendor Ombudsman may be contacted at (850) 413-5516.
- I. Records of costs incurred under terms of this Agreement shall be maintained and made available upon request to the Department at all times during the period of this Agreement and for three (3) years after final payment for the work pursuant to this Agreement is made. Copies of these documents and records shall be furnished to the Department upon request. Records of costs incurred shall include the Vendor's general accounting records and the project records, together with supporting documents and records of the Vendor and all subcontractors performing work on the project, and all other records of the Vendor and subcontractors considered necessary by the Department for a proper audit of project costs.

- J The Department, during any fiscal year, shall not expend money, incur any liability, or enter into any contract which, by its terms, involves the expenditure of money in excess of the amounts budgeted as available for expenditure during such fiscal year. Any contract, verbal or written, made in violation of this subsection is null and void, and no money may be paid on such contract. The Department shall require a statement from the comptroller of the Department that funds are available prior to entering into any such contract or other binding commitment of funds. Nothing herein contained shall prevent the making of contracts for periods exceeding one (1) year, but any contract so made shall be executory only for the value of the services to be rendered or agreed to be paid for in succeeding fiscal years. Accordingly, the Department's performance and obligation to pay under this Agreement is contingent upon an annual appropriation by the Legislature.

4. INDEMNITY AND PAYMENT FOR CLAIMS

- A **INDEMNITY:** To the extent permitted by Florida Law, the Vendor shall indemnify and hold harmless the Department, its officers and employees from liabilities, damages, losses, and costs, including, but not limited to, reasonable attorney's fees, to the extent caused by negligence, recklessness, or intentional wrongful misconduct of the Vendor and persons employed or utilized by the Vendor in the performance of this Agreement.

It is specifically agreed between the parties executing this Agreement that it is not intended by any of the provisions of any part of the Agreement to create in the public or any member thereof, a third party beneficiary hereunder, or to authorize anyone not a party to this Agreement to maintain a suit for personal injuries or property damage pursuant to the terms or provisions of this Agreement.

**PAYMENT FOR CLAIMS:** The Vendor guaranties the payment of all just claims for materials, supplies, tools, or labor and other just claims against the Vendor or any subcontractor, in connection with the Agreement. The Department's final acceptance and payment does not release the Vendor's bond until all such claims are paid or released.

- B **LIABILITY INSURANCE.** (Select and complete as appropriate):

No general liability insurance is required.

The Vendor shall carry and keep in force during the term of this Agreement, a general liability insurance policy or policies with a company or companies authorized to do business in Florida, affording public liability insurance with a combined bodily injury limits of at least \$200,000.00 per person and \$300,000.00 each occurrence, and property damage insurance of at least \$200,000.00 each occurrence, for the services to be rendered in accordance with this Agreement

The Vendor shall have and maintain during the term of this Agreement, a professional liability insurance policy or policies or an irrevocable letter of credit established pursuant to Chapter 675 and Section 337.106, Florida Statutes, with a company or companies authorized to do business in the State of Florida, affording liability coverage for the professional services to be rendered in accordance with this Agreement in the amount of \$\_\_\_\_\_.

- C **WORKERS' COMPENSATION.** The Vendor shall also carry and keep in force Workers' Compensation insurance as required for the State of Florida under the Workers' Compensation Law.

- D **PERFORMANCE AND PAYMENT BOND.** (Select as appropriate):

No Bond is required.

Prior to commencement of any services pursuant to this Agreement and at all times during the term hereof, including renewals and extensions, the Vendor will supply to the Department and keep in force a bond provided by a surety authorized to do business in the State of Florida, payable to the Department and conditioned for the prompt, faithful, and efficient performance of this Agreement according to the terms and conditions hereof and within the time periods specified herein, and for the prompt payment of all persons furnishing labor, materials, equipment, and supplies therefor.



E CERTIFICATION.

With respect to any general liability insurance policy required pursuant to this Agreement, all such policies shall be issued by companies licensed to do business in the State of Florida. The Vendor shall provide to the Department certificates showing the required coverage to be in effect with endorsements showing the Department to be an additional insured prior to commencing any work under this Contract. Policies that include Self Insured Retention (SIR) will not be accepted. The certificates and policies shall provide that in the event of any material change in or cancellation of the policies reflecting the required coverage, thirty days advance notice shall be given to the Department or as provided in accordance with Florida law.

5. COMPLIANCE WITH LAWS

A The Vendor shall comply with Chapter 119, Florida Statutes. Specifically, the Vendor shall:

- (1) Keep and maintain public records required by the Department to perform the service.
- (2) Upon request from the Department's custodian of public records, provide the Department with a copy of the requested records or allow the records to be inspected or copied within a reasonable time at a cost that does not exceed the cost provided in Chapter 119, Florida Statutes, or as otherwise provided by law.
- (3) Ensure that public records that are exempt or confidential and exempt from public records disclosure requirements are not disclosed except as authorized by law for the duration of the Agreement term and following completion of the Agreement if the Vendor does not transfer the records to the Department.
- (4) Upon completion of the Agreement, transfer, at no cost, to the Department, all public records in possession of the Vendor or keep and maintain public records required by the Department to perform the service. If the Vendor transfers all public records to the Department upon completion of the Agreement, the Vendor shall destroy any duplicate public records that are exempt or confidential and exempt from public records disclosure requirements. If the Vendor keeps and maintains public records upon completion of the Agreement, the Vendor shall meet all applicable requirements for retaining public records. All records stored electronically must be provided to the Department, upon request from the Department's custodian of public records, in a format that is compatible with the information technology systems of the Department.

Failure by the Vendor to comply with Chapter 119, Florida Statutes, shall be grounds for immediate unilateral cancellation of this Agreement by the Department.

**IF THE VENDOR HAS QUESTIONS REGARDING THE APPLICATION OF CHAPTER 119, FLORIDA STATUTES, TO THE VENDOR'S DUTY TO PROVIDE PUBLIC RECORDS RELATING TO THIS AGREEMENT, CONTACT THE CUSTODIAN OF PUBLIC RECORDS AT:**

District 7

813-975-6044

D7prcustodian@dot.state.fl.us

Florida Department of Transportation

District 7 - Office of General Counsel

11201 N. McKinley Drive, MS 7-120

Tampa, FL 33612

- B** The Vendor agrees that it shall make no statements, press releases or publicity releases concerning this Agreement or its subject matter or otherwise discuss or permit to be disclosed or discussed any of the data or other information obtained or furnished in compliance with this Agreement, or any particulars thereof, during the period of the Agreement, without first notifying the Department's Contract Manager and securing prior written consent. The Vendor also agrees that it shall not publish, copyright, or patent any of the data developed under this Agreement, it being understood that such data or information are works made for hire and the property of the Department.
- C** The Vendor shall comply with all federal, state, and local laws and ordinances applicable to the work or payment for work thereof, and will not discriminate on the grounds of race, color, religion, sex, national origin, age, or disability in the performance of work under this Agreement.
- D** If the Vendor is licensed by the Department of Business and Professional Regulation to perform the services herein contracted, then Section 337.162, Florida Statutes, applies as follows:
- (1)** If the Department has knowledge or reason to believe that any person has violated the provisions of state professional licensing laws or rules, it shall submit a complaint regarding the violations to the Department of Business and Professional Regulation. The complaint shall be confidential.
  - (2)** Any person who is employed by the Department and who is licensed by the Department of Business and Professional Regulation and who, through the course of the person's employment, has knowledge to believe that any person has violated the provisions of state professional licensing laws or rules shall submit a complaint regarding the violations to the Department of Business and Professional Regulation. Failure to submit a complaint about the violations may be grounds for disciplinary action pursuant to Chapter 455, Florida Statutes, and the state licensing law applicable to that licensee. The complaint shall be confidential.
  - (3)** Any complaints submitted to the Department of Business and Professional Regulation are confidential and exempt from Section 119.07(1), Florida Statutes, pursuant to Chapter 455, Florida Statutes, and applicable state law.
- E** The Vendor covenants and agrees that it and its employees and agents shall be bound by the standards of conduct provided in applicable law and applicable rules of the Board of Business and Professional Regulation as they relate to work performed under this Agreement. The Vendor further covenants and agrees that when a former state employee is employed by the Vendor, the Vendor shall require that strict adherence by the former state employee to Sections 112.313 and 112.3185, Florida Statutes, is a condition of employment for said former state employee. These statutes will by reference be made a part of this Agreement as though set forth in full. The Vendor agrees to incorporate the provisions of this paragraph in any subcontract into which it might enter with reference to the work performed pursuant to this Agreement.
- F** A person or affiliate who has been placed on the convicted vendor list following a conviction for a public entity crime may not submit a bid, proposal, or reply on a contract to provide any goods or services to a public entity, may not submit a bid, proposal, or reply on a contract with a public entity for the construction or repair of a public building or public work, may not submit bids, proposals, or replies on leases of real property to a public entity, may not be awarded or perform work as a contractor, supplier, subcontractor, or consultant under a contract with any public entity, and may not transact business with any public entity in excess of the threshold amount provided in Section 287.017, Florida Statutes, for CATEGORY TWO for a period of thirty-six (36) months following the date of being placed on the convicted vendor list.
- G** An entity or affiliate who has been placed on the discriminatory vendor list may not submit a bid, proposal, or reply on a contract to provide any goods or services to a public entity, may not submit a bid, proposal, or reply on a contract with a public entity for the construction or repair of a public building or public work, may not submit bids, proposals, or replies on leases of real property to a public entity, may not be awarded or perform work as a contractor, supplier, subcontractor, or consultant under a contract with a public entity, and may not transact business with any public entity.
- H** The Department shall consider the employment by any vendor of unauthorized aliens a violation of Section 274A(e) of the Immigration and Nationality Act. If the Vendor knowingly employs unauthorized aliens, such violation shall be cause for unilateral cancellation of this agreement.

- I The Vendor agrees to comply with the Title VI Nondiscrimination Contract Provisions, Appendices A and E, available at <http://www.dot.state.fl.us/procurement/index.shtm>, incorporated herein by reference and made a part of this Agreement.
- J Pursuant to Section 216.347, Florida Statutes, the vendor may not expend any State funds for the purpose of lobbying the Legislature, the judicial branch, or a state agency.
- K Any intellectual property developed as a result of this Agreement will belong to and be the sole property of the State. This provision will survive the termination or expiration of the Agreement.
- L The Vendor agrees to comply with s.20.055(5), Florida Statutes, and to incorporate in all subcontracts the obligation to comply with s.20.055(5), Florida Statutes.

6. TERMINATION AND DEFAULT

- A This Agreement may be canceled by the Department in whole or in part at any time the interest of the Department requires such termination. The Department reserves the right to terminate or cancel this Agreement in the event an assignment be made for the benefit of creditors.
- B If the Department determines that the performance of the Vendor is not satisfactory, the Department shall have the option of (a) immediately terminating the Agreement, or (b) notifying the Vendor of the deficiency with a requirement that the deficiency be corrected within a specified time, otherwise the Agreement will be terminated at the end of such time, or (c) taking whatever action is deemed appropriate by the Department.
- C If the Department requires termination of the Agreement for reasons other than unsatisfactory performance of the Vendor, the Department shall notify the Vendor of such termination, with instructions as to the effective date of termination or specify the stage of work at which the Agreement is to be terminated.
- D If the Agreement is terminated before performance is completed, the Vendor shall be paid only for that work satisfactorily performed for which costs can be substantiated. Such payment, however, may not exceed an amount which is the same percentage of the agreement price as the amount of work satisfactorily completed is a percentage of the total work called for by this Agreement. All work in progress shall become the property of the Department and shall be turned over promptly by the Vendor.
- E For Contracts \$1,000,000 and greater, if the Department determines the Contractor submitted a false certification under Section 287.135(5) of the Florida Statutes, or if the Contractor has been placed on the Scrutinized Companies with Activities in the Sudan List, the Scrutinized Companies with Activities in the Iran Petroleum Energy Sector List, or the Scrutinized Companies that Boycott Israel List, the Department shall either terminate the Contract after it has given the Contractor notice and an opportunity to demonstrate the Department's determination of false certification was in error pursuant to Section 287.135(5)(a) of the Florida Statutes, or maintain the Contract if the conditions of Section 287.135(4) of the Florida Statutes are met.

7. ASSIGNMENT AND SUBCONTRACTS

- A The Vendor shall maintain an adequate and competent staff so as to enable the Vendor to timely perform under this Agreement and may associate with it such subcontractors, for the purpose of its services hereunder, without additional cost to the Department, other than those costs within the limits and terms of this Agreement. The Vendor is fully responsible for satisfactory completion of all subcontracted work. The Vendor, however, shall not sublet, assign, or transfer any work under this Agreement to other than subcontractors specified in the proposal, bid, and/or Agreement without the written consent of the Department.

B. Select the appropriate box:

The following provision is not applicable to this Agreement:

The following provision is hereby incorporated in and made a part of this Agreement:

It is expressly understood and agreed that any articles that are the subject of, or required to carry out this Agreement shall be purchased from a nonprofit agency for the blind or for the severely handicapped that is qualified pursuant to Chapter 413, Florida Statutes, in the same manner and under the same procedures set forth in Section 413.036(1) and (2), Florida Statutes; and for purposes of this Agreement the person, firm, or other business entity (Vendor) carrying out the provisions of this Agreement shall be deemed to be substituted for the state agency (Department) insofar as dealings with such qualified nonprofit agency are concerned. RESPECT of Florida provides governmental agencies within the State of Florida with quality products and services produced by persons with disabilities. Available pricing, products, and delivery schedules may be obtained by contacting:

RESPECT  
2475 Apalachee Pkwy  
Tallahassee, Florida 32301-4946  
Phone: (850)487-1471

The following provision is hereby incorporated in and made a part of this Agreement:  
It is expressly understood and agreed that any articles which are the subject of, or required to carry out this Agreement shall be purchased from the corporation identified under Chapter 946, Florida Statutes, in the same manner and under the procedures set forth in Sections 946.515(2) and (4), Florida Statutes; and for purposes of this Agreement the person, firm, or other business entity (Vendor) carrying out the provisions of this Agreement shall be deemed to be substituted for this agency (Department) insofar as dealings with such corporation are concerned. The "corporation identified" is Prison Rehabilitative Industries and Diversified Enterprises, Inc. (PRIDE). Available pricing, products, and delivery schedules may be obtained by contacting:

PRIDE Enterprises  
12425 - 28th Street, North  
St. Petersburg, FL 33716-1826 (800)643-8459

This Agreement involves the expenditure of federal funds and Section 946.515, Florida Statutes, as noted above, does not apply. However, Appendix I is applicable to all parties and is hereof made a part of this Agreement.

8. MISCELLANEOUS

- A. The Vendor and its employees, agents, representatives, or subcontractors are not employees of the Department and are not entitled to the benefits of State of Florida employees. Except to the extent expressly authorized herein, Vendor and its employees, agents, representatives, or subcontractors are not agents of the Department or the State for any purpose or authority such as to bind or represent the interests thereof, and shall not represent that it is an agent or that it is acting on the behalf of the Department or the State. The Department shall not be bound by any unauthorized acts or conduct of the Vendor or its employees, agents, representatives, or subcontractors. Vendor agrees to include this provision in all its subcontracts under this Agreement.
- B. All words used herein in the singular form shall extend to and include the plural. All words used in the plural form shall extend to and include the singular. All words used in any gender shall extend to and include all genders.
- C. This Agreement embodies the whole agreement of the parties. There are no promises, terms, conditions, or obligations other than those contained herein, and this Agreement shall supersede all previous communications, representations, or agreements, either verbal or written, between the parties hereto. The State of Florida terms and conditions, whether general or specific, shall take precedence

over and supersede any inconsistent or conflicting provision in any attached terms and conditions of the Vendor.

- D. It is understood and agreed by the parties hereto that if any part, term or provision of this Agreement is by the courts held to be illegal or in conflict with any law of the State of Florida, the validity of the remaining portions or provisions shall not be affected, and the rights and obligations of the parties shall be construed and enforced as if the Agreement did not contain the particular part, term, or provision held to be invalid.
- E. This Agreement shall be governed by and construed in accordance with the laws of the State of Florida.
- F. In any legal action related to this Agreement, instituted by either party, the Vendor hereby waives any and all privileges and rights it may have under Chapter 47 and Section 337.19, Florida Statutes, relating to venue, as it now exists or may hereafter be amended, and any and all such privileges and rights it may have under any other statute, rule, or case law, including, but not limited to those grounded on convenience. Any such legal action may be brought in the appropriate Court in the county chosen by the Department and in the event that any such legal action is filed by the Vendor, the Vendor hereby consents to the transfer of venue to the county chosen by the Department upon the Department filing a motion requesting the same.
- G. If this Agreement involves the purchase or maintenance of information technology as defined in Section 282.0041, Florida Statutes, the selected provisions of the attached Appendix II are made a part of this Agreement.
- H. If this Agreement is the result of a formal solicitation (Invitation to Bid, Request for Proposal or Invitation to Negotiate), the Department of Management Services Forms PUR1000 and PUR1001, included in the solicitation, are incorporated herein by reference and made a part of this Agreement.
- I. The Department may grant the Vendor's employees or subconsultants access to the Department's secure networks as part of the project. In the event such employees' or subconsultants' participation in the project is terminated or will be terminated, the Vendor shall notify the Department's project manager no later than the employees' or subconsultants' separation date from participation in the project or immediately upon the Vendor acquiring knowledge of such termination of employees' or subconsultants' participation in the project, whichever occurs later.
- J. Vendor/Contractor:
1. shall utilize the U.S. Department of Homeland Security's E-Verify system to verify the employment eligibility of all new employees hired by the Vendor/Contractor during the term of the contract; and
  2. shall expressly require any subcontractors performing work or providing services pursuant to the state contract to likewise utilize the U.S. Department of Homeland Security's E-Verify system to verify the employment eligibility of all new employees hired by the subcontractor during the contract term.
- K. Time is of the essence as to each and every obligation under this Agreement.
- L. The following attachments are incorporated and made a part of this agreement:  
Exhibit "A", Scope of Services, Exhibit "B", Method of Compensation, Exhibit "C", Bid Sheet , Signed and Sealed Plans, Office of Transportation Development Plans
- M. Other Provisions:  
ITB-DOT-17/18-7014LV

IN WITNESS WHEREOF, the parties have executed this Agreement by their duly authorized officers on the day, month and year set forth above.

STATE OF FLORIDA  
DEPARTMENT OF TRANSPORTATION

\_\_\_\_\_  
Name of Vendor

BY: \_\_\_\_\_  
Authorized Signature

\_\_\_\_\_  
(Print/Type)

Title: \_\_\_\_\_

BY: \_\_\_\_\_  
Authorized Signature

Rebecca L. Schwarz, FCCN

\_\_\_\_\_  
(Print/Type)

Title: Procurement Services Manager

FOR DEPARTMENT USE ONLY

APPROVED:

LEGAL REVIEW

\_\_\_\_\_  
Contract Supervisor

\_\_\_\_\_

**COMPONENTS OF CONTRACT PLANS SET**

**INDEX OF PLANS**

DESCRIPTION	SHEET NO.	SHEET TITLE
GENERAL	1	COVER SHEET
GENERAL	2	HOTEL, LOBBY & REST PLANS
ARCHITECTURAL	3	SEATING, CIRCULATION AND MEN & WOMEN PLANS
ARCHITECTURAL	4	TOILET ROOM FIXTURES & ACCESSORIES

STATE OF FLORIDA  
DEPARTMENT OF TRANSPORTATION

CONTRACT PLANS

FM# 438862-1-32-01

FDOT DISTRICT 7 HEADQUARTERS  
LOBBY TOILET RENOVATIONS

HILSBOROUGH COUNTY



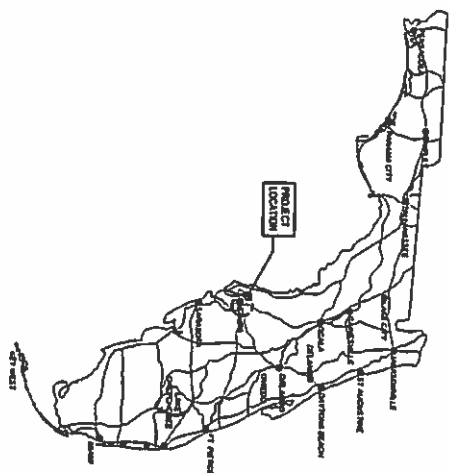
PROJECT ADDRESS  
11515 ROCKFELTON  
TAMPA, FL 33613

LOCATION MAP

NO.	DATE	REVISION / REVISION

NO.	DATE	REVISION / REVISION

100% CD 07/31/17




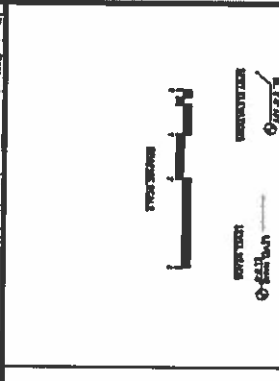
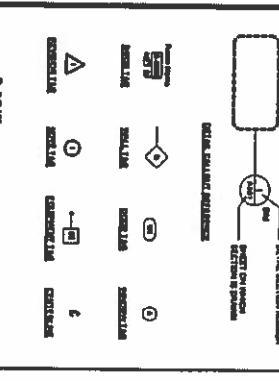
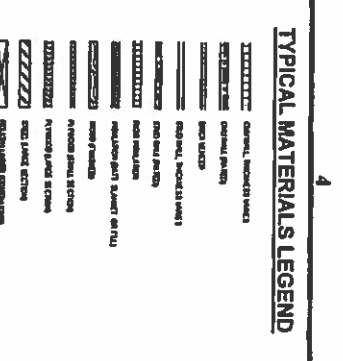

PLANS PREPARED BY:  
QUANTUM GROUP, INC. (DBA)  
3111 W. MARTIN LUTHER KING JR. BLVD., SUITE 203  
TAMPA, FL 33607  
813-844-2588  
ARCHITECT BUSINESS LICENSE NO. 1A24000274  
CERTIFICATE OF AUTHORIZATION NO. 0097  
VENOOR NO. 17002127881

ARCHITECT OF RECORD:  
[Signature]  
LICENSE NO. 48937117  
7.31.17

NOTE: THE SCALE OF THESE PLANS MAY  
HAVE CHANGED DUE TO REPRODUCTION.

FISCAL YEAR	DWS NO.
2017	1

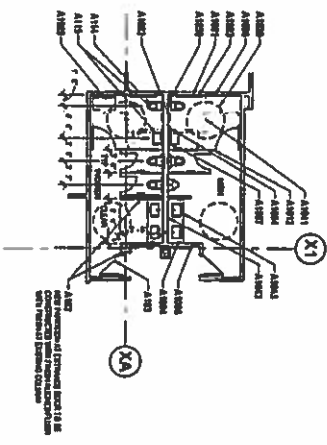
TO THE BEST OF THE ARCHITECT'S AND/OR ENGINEER'S KNOWLEDGE THESE PLANS AND SPECIFICATIONS COMPLY WITH THE APPLICABLE MINIMUM BUILDING CODES, AND THE APPLICABLE FIRE SAFETY STANDARDS.

<p>5 SYMBOLOLOGY LEGEND NOT SUBJECT FOR SPECIFIC MATERIALS</p> 	<p>4 TYPICAL MATERIALS LEGEND</p> 	<p>3 DIMENSIONING CONVENTIONS</p> 	<p>2 CODE RESEARCH</p> <p>ALL CODES SHALL BE RESEARCHED BY THE ARCHITECT AND THE CONSULTING ENGINEER.</p> <ol style="list-style-type: none"> <li>1. The code shall be the most restrictive code applicable to the project.</li> <li>2. The code shall be the code in effect at the time the contract is awarded.</li> <li>3. The code shall be the code in effect at the time the work is completed.</li> <li>4. The code shall be the code in effect at the time the work is inspected.</li> <li>5. The code shall be the code in effect at the time the work is accepted.</li> <li>6. The code shall be the code in effect at the time the work is paid for.</li> <li>7. The code shall be the code in effect at the time the work is released.</li> <li>8. The code shall be the code in effect at the time the work is abandoned.</li> <li>9. The code shall be the code in effect at the time the work is terminated.</li> <li>10. The code shall be the code in effect at the time the work is completed and accepted.</li> </ol>	<p>1 GENERAL NOTES</p> <ol style="list-style-type: none"> <li>1. ALL WORK SHALL BE PERFORMED IN ACCORDANCE WITH THE SPECIFICATIONS AND THE CONSTRUCTION DOCUMENTS.</li> <li>2. THE CONTRACTOR SHALL BE RESPONSIBLE FOR OBTAINING ALL NECESSARY PERMITS AND APPROVALS.</li> <li>3. THE CONTRACTOR SHALL MAINTAIN ACCESS TO ALL ADJACENT PROPERTIES AT ALL TIMES.</li> <li>4. THE CONTRACTOR SHALL PROTECT ALL EXISTING UTILITIES AND STRUCTURES.</li> <li>5. THE CONTRACTOR SHALL MAINTAIN RECORD DRAWINGS UP TO DATE.</li> <li>6. THE CONTRACTOR SHALL BE RESPONSIBLE FOR OBTAINING ALL NECESSARY PERMITS AND APPROVALS.</li> <li>7. THE CONTRACTOR SHALL MAINTAIN ACCESS TO ALL ADJACENT PROPERTIES AT ALL TIMES.</li> <li>8. THE CONTRACTOR SHALL PROTECT ALL EXISTING UTILITIES AND STRUCTURES.</li> <li>9. THE CONTRACTOR SHALL MAINTAIN RECORD DRAWINGS UP TO DATE.</li> <li>10. THE CONTRACTOR SHALL BE RESPONSIBLE FOR OBTAINING ALL NECESSARY PERMITS AND APPROVALS.</li> <li>11. THE CONTRACTOR SHALL MAINTAIN ACCESS TO ALL ADJACENT PROPERTIES AT ALL TIMES.</li> <li>12. THE CONTRACTOR SHALL PROTECT ALL EXISTING UTILITIES AND STRUCTURES.</li> <li>13. THE CONTRACTOR SHALL MAINTAIN RECORD DRAWINGS UP TO DATE.</li> <li>14. THE CONTRACTOR SHALL BE RESPONSIBLE FOR OBTAINING ALL NECESSARY PERMITS AND APPROVALS.</li> <li>15. THE CONTRACTOR SHALL MAINTAIN ACCESS TO ALL ADJACENT PROPERTIES AT ALL TIMES.</li> <li>16. THE CONTRACTOR SHALL PROTECT ALL EXISTING UTILITIES AND STRUCTURES.</li> <li>17. THE CONTRACTOR SHALL MAINTAIN RECORD DRAWINGS UP TO DATE.</li> <li>18. THE CONTRACTOR SHALL BE RESPONSIBLE FOR OBTAINING ALL NECESSARY PERMITS AND APPROVALS.</li> <li>19. THE CONTRACTOR SHALL MAINTAIN ACCESS TO ALL ADJACENT PROPERTIES AT ALL TIMES.</li> <li>20. THE CONTRACTOR SHALL PROTECT ALL EXISTING UTILITIES AND STRUCTURES.</li> <li>21. THE CONTRACTOR SHALL MAINTAIN RECORD DRAWINGS UP TO DATE.</li> <li>22. THE CONTRACTOR SHALL BE RESPONSIBLE FOR OBTAINING ALL NECESSARY PERMITS AND APPROVALS.</li> <li>23. THE CONTRACTOR SHALL MAINTAIN ACCESS TO ALL ADJACENT PROPERTIES AT ALL TIMES.</li> <li>24. THE CONTRACTOR SHALL PROTECT ALL EXISTING UTILITIES AND STRUCTURES.</li> <li>25. THE CONTRACTOR SHALL MAINTAIN RECORD DRAWINGS UP TO DATE.</li> </ol>
<p>WALL ASSEMBLY NOTES</p> <ol style="list-style-type: none"> <li>1. ALL WALLS SHALL BE CONSTRUCTED IN ACCORDANCE WITH THE SPECIFICATIONS AND THE CONSTRUCTION DOCUMENTS.</li> <li>2. THE CONTRACTOR SHALL BE RESPONSIBLE FOR OBTAINING ALL NECESSARY PERMITS AND APPROVALS.</li> <li>3. THE CONTRACTOR SHALL MAINTAIN ACCESS TO ALL ADJACENT PROPERTIES AT ALL TIMES.</li> <li>4. THE CONTRACTOR SHALL PROTECT ALL EXISTING UTILITIES AND STRUCTURES.</li> <li>5. THE CONTRACTOR SHALL MAINTAIN RECORD DRAWINGS UP TO DATE.</li> <li>6. THE CONTRACTOR SHALL BE RESPONSIBLE FOR OBTAINING ALL NECESSARY PERMITS AND APPROVALS.</li> <li>7. THE CONTRACTOR SHALL MAINTAIN ACCESS TO ALL ADJACENT PROPERTIES AT ALL TIMES.</li> <li>8. THE CONTRACTOR SHALL PROTECT ALL EXISTING UTILITIES AND STRUCTURES.</li> <li>9. THE CONTRACTOR SHALL MAINTAIN RECORD DRAWINGS UP TO DATE.</li> <li>10. THE CONTRACTOR SHALL BE RESPONSIBLE FOR OBTAINING ALL NECESSARY PERMITS AND APPROVALS.</li> <li>11. THE CONTRACTOR SHALL MAINTAIN ACCESS TO ALL ADJACENT PROPERTIES AT ALL TIMES.</li> <li>12. THE CONTRACTOR SHALL PROTECT ALL EXISTING UTILITIES AND STRUCTURES.</li> <li>13. THE CONTRACTOR SHALL MAINTAIN RECORD DRAWINGS UP TO DATE.</li> <li>14. THE CONTRACTOR SHALL BE RESPONSIBLE FOR OBTAINING ALL NECESSARY PERMITS AND APPROVALS.</li> <li>15. THE CONTRACTOR SHALL MAINTAIN ACCESS TO ALL ADJACENT PROPERTIES AT ALL TIMES.</li> <li>16. THE CONTRACTOR SHALL PROTECT ALL EXISTING UTILITIES AND STRUCTURES.</li> <li>17. THE CONTRACTOR SHALL MAINTAIN RECORD DRAWINGS UP TO DATE.</li> <li>18. THE CONTRACTOR SHALL BE RESPONSIBLE FOR OBTAINING ALL NECESSARY PERMITS AND APPROVALS.</li> <li>19. THE CONTRACTOR SHALL MAINTAIN ACCESS TO ALL ADJACENT PROPERTIES AT ALL TIMES.</li> <li>20. THE CONTRACTOR SHALL PROTECT ALL EXISTING UTILITIES AND STRUCTURES.</li> <li>21. THE CONTRACTOR SHALL MAINTAIN RECORD DRAWINGS UP TO DATE.</li> <li>22. THE CONTRACTOR SHALL BE RESPONSIBLE FOR OBTAINING ALL NECESSARY PERMITS AND APPROVALS.</li> <li>23. THE CONTRACTOR SHALL MAINTAIN ACCESS TO ALL ADJACENT PROPERTIES AT ALL TIMES.</li> <li>24. THE CONTRACTOR SHALL PROTECT ALL EXISTING UTILITIES AND STRUCTURES.</li> <li>25. THE CONTRACTOR SHALL MAINTAIN RECORD DRAWINGS UP TO DATE.</li> </ol>	<p>RESPONSIBILITIES</p> <p>THE ARCHITECT SHALL BE RESPONSIBLE FOR THE DESIGN AND SPECIFICATIONS OF THE PROJECT. THE ARCHITECT SHALL BE RESPONSIBLE FOR OBTAINING ALL NECESSARY PERMITS AND APPROVALS. THE ARCHITECT SHALL MAINTAIN ACCESS TO ALL ADJACENT PROPERTIES AT ALL TIMES. THE ARCHITECT SHALL PROTECT ALL EXISTING UTILITIES AND STRUCTURES. THE ARCHITECT SHALL MAINTAIN RECORD DRAWINGS UP TO DATE.</p>	<p>CONTRACT DRAWINGS NOTE</p> <p>THE CONTRACTOR SHALL BE RESPONSIBLE FOR THE CONSTRUCTION OF THE PROJECT. THE CONTRACTOR SHALL BE RESPONSIBLE FOR OBTAINING ALL NECESSARY PERMITS AND APPROVALS. THE CONTRACTOR SHALL MAINTAIN ACCESS TO ALL ADJACENT PROPERTIES AT ALL TIMES. THE CONTRACTOR SHALL PROTECT ALL EXISTING UTILITIES AND STRUCTURES. THE CONTRACTOR SHALL MAINTAIN RECORD DRAWINGS UP TO DATE.</p>	<p>BID ALTERNATE</p> <p>THE BIDDER SHALL BE RESPONSIBLE FOR THE SUBMITTAL OF THE BID. THE BIDDER SHALL BE RESPONSIBLE FOR OBTAINING ALL NECESSARY PERMITS AND APPROVALS. THE BIDDER SHALL MAINTAIN ACCESS TO ALL ADJACENT PROPERTIES AT ALL TIMES. THE BIDDER SHALL PROTECT ALL EXISTING UTILITIES AND STRUCTURES. THE BIDDER SHALL MAINTAIN RECORD DRAWINGS UP TO DATE.</p>	<p>KEY PLAN</p> 
<p>7-31-17</p> 	<p>STATE OF FLORIDA DEPARTMENT OF TRANSPORTATION</p> <p>COUNTY: HILLSBOROUGH COUNTY FINANCIAL PROJECT ID: 06901-15241</p>	<p>FOOT DISTRICT 7 HEADQUARTERS LOBBY TOILET RENOVATIONS</p> <p>NOTES, LEGENDS &amp; KEY PLAN</p>	<p>DWG NO. A201 SHEET NO. 2</p>	

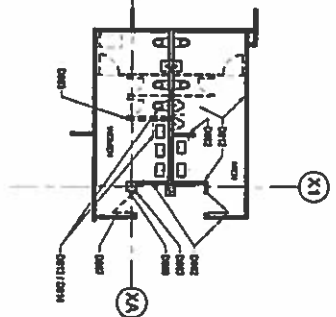


TO THE BEST OF THE ARCHITECT'S AND/OR ENGINEER'S KNOWLEDGE THESE PLANS AND SPECIFICATIONS COMPLY WITH THE APPLICABLE MINIMUM BUILDING CODES, AND THE APPLICABLE FIRE-SAFETY STANDARDS.

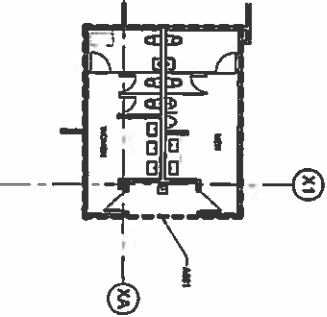
5 4 3 2



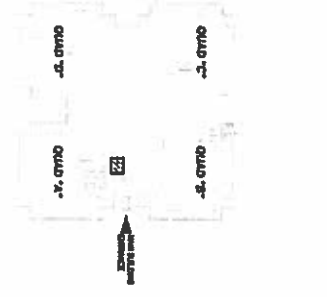
3 NEW FLOOR PLAN



2 DEMOLITION FLOOR PLAN



1 EXISTING FLOOR PLAN



KEY PLAN

STATE OF FLORIDA DEPARTMENT OF TRANSPORTATION		FOOT DISTRICT 7 HEADQUARTERS LOBBY TOILET RENOVATIONS	
ROAD NO.	COUNTY	FINANCIAL PROJECT ID	EXISTING, DEMOLITION AND NEW FLOOR PLAN
14350000000000000000	FLORIDA COUNTY	00000-132-01	
PROJECT INFORMATION			DWG NO.
ARCHITECT: TRINIS & ASSOCIATES, INC.			ASH
ENGINEER: TRINIS & ASSOCIATES, INC.			SHEET NO.
DATE: 7-21-17			3

1 NETWORK LAYOUT

1.01 NETWORK LAYOUT

1.02 NETWORK LAYOUT

1.03 NETWORK LAYOUT

1.04 NETWORK LAYOUT

1.05 NETWORK LAYOUT

1.06 NETWORK LAYOUT

1.07 NETWORK LAYOUT

1.08 NETWORK LAYOUT

1.09 NETWORK LAYOUT

1.10 NETWORK LAYOUT

1.11 NETWORK LAYOUT

1.12 NETWORK LAYOUT

1.13 NETWORK LAYOUT

1.14 NETWORK LAYOUT

1.15 NETWORK LAYOUT

1.16 NETWORK LAYOUT

1.17 NETWORK LAYOUT

1.18 NETWORK LAYOUT

1.19 NETWORK LAYOUT

1.20 NETWORK LAYOUT

1.21 NETWORK LAYOUT

1.22 NETWORK LAYOUT

1.23 NETWORK LAYOUT

1.24 NETWORK LAYOUT

1.25 NETWORK LAYOUT

1.26 NETWORK LAYOUT

1.27 NETWORK LAYOUT

1.28 NETWORK LAYOUT

1.29 NETWORK LAYOUT

1.30 NETWORK LAYOUT

1.31 NETWORK LAYOUT

1.32 NETWORK LAYOUT

1.33 NETWORK LAYOUT

1.34 NETWORK LAYOUT

1.35 NETWORK LAYOUT

1.36 NETWORK LAYOUT

1.37 NETWORK LAYOUT

1.38 NETWORK LAYOUT

1.39 NETWORK LAYOUT

1.40 NETWORK LAYOUT

1.41 NETWORK LAYOUT

1.42 NETWORK LAYOUT

1.43 NETWORK LAYOUT

1.44 NETWORK LAYOUT

1.45 NETWORK LAYOUT

1.46 NETWORK LAYOUT

1.47 NETWORK LAYOUT

1.48 NETWORK LAYOUT

1.49 NETWORK LAYOUT

1.50 NETWORK LAYOUT

1.51 NETWORK LAYOUT

1.52 NETWORK LAYOUT

1.53 NETWORK LAYOUT

1.54 NETWORK LAYOUT

1.55 NETWORK LAYOUT

1.56 NETWORK LAYOUT

1.57 NETWORK LAYOUT

1.58 NETWORK LAYOUT

1.59 NETWORK LAYOUT

1.60 NETWORK LAYOUT

1.61 NETWORK LAYOUT

1.62 NETWORK LAYOUT

1.63 NETWORK LAYOUT

1.64 NETWORK LAYOUT

1.65 NETWORK LAYOUT

1.66 NETWORK LAYOUT

1.67 NETWORK LAYOUT

1.68 NETWORK LAYOUT

1.69 NETWORK LAYOUT

1.70 NETWORK LAYOUT

1.71 NETWORK LAYOUT

1.72 NETWORK LAYOUT

1.73 NETWORK LAYOUT

1.74 NETWORK LAYOUT

1.75 NETWORK LAYOUT

1.76 NETWORK LAYOUT

1.77 NETWORK LAYOUT

1.78 NETWORK LAYOUT

1.79 NETWORK LAYOUT

1.80 NETWORK LAYOUT

1.81 NETWORK LAYOUT

1.82 NETWORK LAYOUT

1.83 NETWORK LAYOUT

1.84 NETWORK LAYOUT

1.85 NETWORK LAYOUT

1.86 NETWORK LAYOUT

1.87 NETWORK LAYOUT

1.88 NETWORK LAYOUT

1.89 NETWORK LAYOUT

1.90 NETWORK LAYOUT

1.91 NETWORK LAYOUT

1.92 NETWORK LAYOUT

1.93 NETWORK LAYOUT

1.94 NETWORK LAYOUT

1.95 NETWORK LAYOUT

1.96 NETWORK LAYOUT

1.97 NETWORK LAYOUT

1.98 NETWORK LAYOUT

1.99 NETWORK LAYOUT

2.00 NETWORK LAYOUT

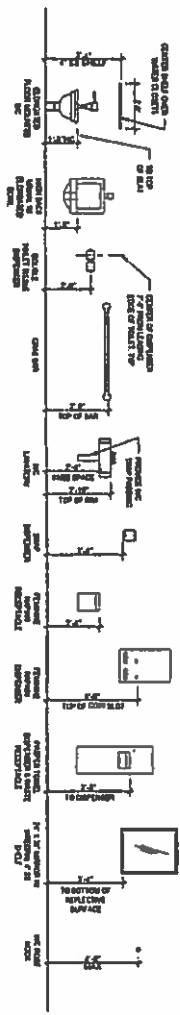
TO THE BEST OF THE ARCHITECT'S AND/OR ENGINEER'S KNOWLEDGE THESE PLANS AND SPECIFICATIONS COMPLY WITH THE APPLICABLE (MINIMUM) BUILDING CODES AND THE APPLICABLE FIRE SAFETY STANDARDS.

5 4 3 2 1

Project Name	Project Address	Client Name	Client Address
Project No.	Sheet No.	Scale	Date
STATE OF FLORIDA DEPARTMENT OF TRANSPORTATION COUNTY FINANCIAL PROJECT ID TOILET ROOM FIXTURES & ACCESSORIES		DIVISION NO. AM	
ROAD NO. COUNTY FINANCIAL PROJECT ID TOILET ROOM FIXTURES & ACCESSORIES		SHEET NO. 4	



1-31-17

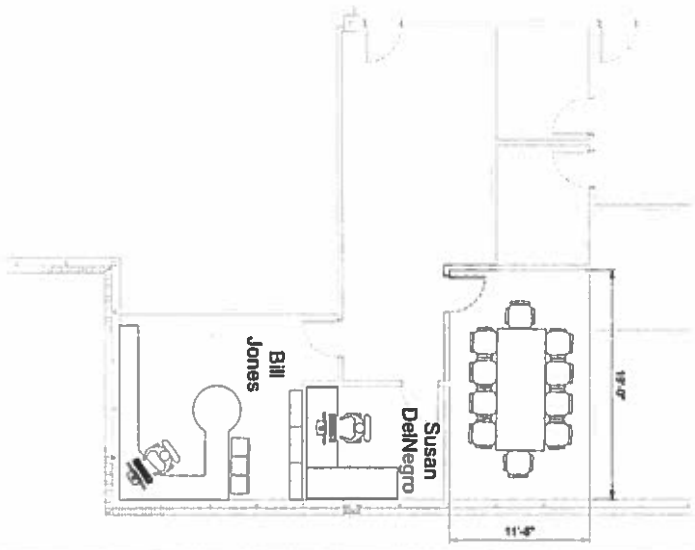


**NOTES**  
 1. ALL TOILET ROOM FIXTURES & ACCESSORIES SHALL BE ADAPTED TO COMPLY WITH ALL ADA AND BARBER FIRE REQUIREMENTS INCLUDING THE AMERICANS WITH DISABILITY ACT (ADA), THE UNIVERSAL DESIGN ACCESSIBILITY STANDARDS AND THE FLORIDA BUILDING CODE ACCESSIBILITY

- GENERAL NOTES:**
1. All work shall be in accordance with the Florida Building Code, Building Regulations and Code Enforcement Department, 2013 Edition, unless otherwise indicated.
  2. All materials and workmanship shall conform to the Florida Building Code, Building Regulations and Code Enforcement Department, 2013 Edition, unless otherwise indicated.
  3. All electrical work shall conform to the Florida Building Code, Building Regulations and Code Enforcement Department, 2013 Edition, unless otherwise indicated.
  4. All plumbing work shall conform to the Florida Building Code, Building Regulations and Code Enforcement Department, 2013 Edition, unless otherwise indicated.
  5. All mechanical work shall conform to the Florida Building Code, Building Regulations and Code Enforcement Department, 2013 Edition, unless otherwise indicated.
  6. All fire protection work shall conform to the Florida Building Code, Building Regulations and Code Enforcement Department, 2013 Edition, unless otherwise indicated.
  7. All structural work shall conform to the Florida Building Code, Building Regulations and Code Enforcement Department, 2013 Edition, unless otherwise indicated.
  8. All other work shall conform to the Florida Building Code, Building Regulations and Code Enforcement Department, 2013 Edition, unless otherwise indicated.
  9. All work shall be completed in accordance with the Florida Building Code, Building Regulations and Code Enforcement Department, 2013 Edition, unless otherwise indicated.
  10. All work shall be completed in accordance with the Florida Building Code, Building Regulations and Code Enforcement Department, 2013 Edition, unless otherwise indicated.
  11. All work shall be completed in accordance with the Florida Building Code, Building Regulations and Code Enforcement Department, 2013 Edition, unless otherwise indicated.

A B C D

DATE	DESCRIPTION	REVISIONS	DATE	DESCRIPTION	DATE	DESCRIPTION	DATE	DESCRIPTION	DATE	DESCRIPTION



**District Seven  
Headquarters Building**  
11201 N. Mackley Dr.  
Tampa, Florida 33612

STATE OF FLORIDA  
DEPARTMENT OF TRANSPORTATION  
PROJECT MANAGER  
PROJECT DATE  
FY 2016 - 2017

**Concept 1 Plan  
District Headquarters Building  
Director of Development Suite**

## MINIMUM QUALIFICATIONS STATEMENT

How many years has your business performed the type of services being requested? \_\_\_\_\_

Provide a written statement detailing your qualifications:

---

---

---

---

---

---

---

---

---

---

---

---

---

---

---

---

---

---

---

---

---

---

---

---

## WORK REFERENCES

List the names of three references for which your business has provided similar services.

<u>BUSINESS NAME</u>	<u>ADDRESS</u>	<u>CONTACT PERSON</u>	<u>PHONE NO.</u>
----------------------	----------------	-----------------------	------------------

1. \_\_\_\_\_

2. \_\_\_\_\_

3. \_\_\_\_\_

STATE OF FLORIDA DEPARTMENT OF TRANSPORTATION  
**DRUG-FREE WORKPLACE PROGRAM CERTIFICATION**

375-040-18  
PROCUREMENT  
03/17

287.087 Preference to businesses with drug-free workplace programs. --Whenever two or more bids, proposals, or replies that are equal with respect to price, quality, and service are received by the state or by any political subdivision for the procurement of commodities or contractual services, a bid, proposal, or reply received from a business that certifies that it has implemented a drug-free workplace program shall be given preference in the award process. In order to have a drug-free workplace program, a business shall:

(1) Publish a statement notifying employees that the unlawful manufacture, distribution, dispensing, possession, or use of a controlled substance is prohibited in the workplace and specifying the actions that will be taken against employees for violations of such prohibition.

(2) Inform employees about the dangers of drug abuse in the workplace, the business's policy of maintaining a drug-free workplace, any available drug counseling, rehabilitation, and employee assistance programs, and the penalties that may be imposed upon employees for drug abuse violations.

(3) Give each employee engaged in providing the commodities or contractual services that are under bid a copy of the statement specified in subsection (1).

(4) In the statement specified in subsection (1), notify the employees that, as a condition of working on the commodities or contractual services that are under bid, the employee will abide by the terms of the statement and will notify the employer of any conviction of, or plea of guilty or nolo contendere to, any violation of Chapter 893 or of any controlled substance law of the United States or any state, for a violation occurring in the workplace no later than 5 days after such conviction.

(5) Impose a sanction on, or require the satisfactory participation in a drug abuse assistance or rehabilitation program if such is available in the employee's community by, any employee who is so convicted.

(6) Make a good faith effort to continue to maintain a drug-free workplace through implementation of this section.

**Does the individual responding to this solicitation certify that their firm has implemented a drug-free workplace program in accordance with the provision of Section 287.087, Florida Statutes, as stated above?**

YES

NO

NAME OF BUSINESS: \_\_\_\_\_

STATE OF FLORIDA DEPARTMENT OF TRANSPORTATION  
**VENDOR CERTIFICATION REGARDING  
SCRUTINIZED COMPANIES LISTS**

Respondent Vendor Name: \_\_\_\_\_  
Vendor FEIN: \_\_\_\_\_  
Vendor's Authorized Representative Name and Title: \_\_\_\_\_  
Address: \_\_\_\_\_  
City: \_\_\_\_\_ State: \_\_\_\_\_ Zip: \_\_\_\_\_  
Phone Number: \_\_\_\_\_  
Email Address: \_\_\_\_\_

Section 287.135, Florida Statutes, prohibits agencies from contracting with companies for goods or services of \$1,000,000 or more, that are on either the Scrutinized Companies with Activities in Sudan List, the Scrutinized Companies with Activities in the Iran Petroleum Energy Sector Lists which are created pursuant to s. 215.473, F.S., or the Scrutinized Companies that Boycott Israel List, created pursuant to s. 215.4725, F.S., or companies that are engaged in a boycott of Israel.

As the person authorized to sign on behalf of Respondent, I hereby certify that the company identified above in the section entitled "Respondent Vendor Name" is not listed on either the Scrutinized Companies with Activities in Sudan List or the Scrutinized Companies with Activities in the Iran Petroleum Energy Sector List, or the Scrutinized Companies that Boycott Israel List. I further certify that the company is not engaged in a boycott of Israel. I understand that pursuant to section 287.135, Florida Statutes, the submission of a false certification may subject company to civil penalties, attorney's fees, and/or costs.

Certified By: \_\_\_\_\_  
who is authorized to sign on behalf of the above referenced company.  
Authorized Signature Print Name and Title: \_\_\_\_\_  
Date: \_\_\_\_\_

STATE OF FLORIDA DEPARTMENT OF TRANSPORTATION  
**MBE PLANNED UTILIZATION**

375-040-24  
PROCUREMENT  
03/17

PROCUREMENT NO. ITB-DOT-17/18-7014LV FINANCIAL PROJECT NO. 438862-1

(DEPARTMENT USE ONLY)

DESCRIPTION: District Seven Headquarters Lobby Restrooms and Offices of Transportation Development Renovations

I, \_\_\_\_\_, \_\_\_\_\_  
(name) (title)

of \_\_\_\_\_

plan to subcontract at least \_\_\_\_\_ % (percent) of the project costs on the above referenced project to Minority Business Enterprises.

If I have indicated above that a portion of the project costs will be subcontracted to MBE(s), the firms considered as proposed subconsultants/contractors and the types of services or commodities to be subcontracted are as follows:

MBE SUBCONSULTANTS/CONTRACTORS

TYPES OF SERVICES/COMMODITIES

I understand that I will need to submit Minority Business Enterprises (MBE) payment certification forms to the Department for reporting purposes only.

Signed: \_\_\_\_\_

Title: \_\_\_\_\_

Date: \_\_\_\_\_

STATE OF FLORIDA DEPARTMENT OF TRANSPORTATION  
**BID OPPORTUNITY LIST FOR COMMODITIES & CONTRACTUAL SERVICES**

375-040-82  
PROCUREMENT  
01/16

Prime Contractor: \_\_\_\_\_

Address/Phone Number: \_\_\_\_\_

Procurement Number: ITB-DOT-17/18-7014LV

**49 CFR Part 26.11** The list is intended to be a listing of all firms that are participating, or attempting to participate, on DOT-assisted contracts. The list must include all firms that bid on prime contracts, or bid or quote subcontracts and supplies materials on DOT-assisted projects, including both DBEs and non-DBEs. For consulting companies this list must include all subcontractors contacting you and expressing an interest in teaming with you on a specific DOT-assisted project. Prime contractors and consultants must provide information for Numbers 1, 2, 3 and 4, and should provide any information they have available on Numbers 5, 6, and 7 for themselves, and their subcontractors.

1. Federal Tax ID Number: _____	6. <input type="checkbox"/> DBE	7. Annual Gross Receipts
2. Firm Name: _____	<input type="checkbox"/> Non-DBE	<input type="checkbox"/> Less than \$1 million
3. Phone: _____		<input type="checkbox"/> Between \$1 - \$5 million
4. Address: _____		<input type="checkbox"/> Between \$5 - \$10 million
_____		<input type="checkbox"/> Between \$10 - \$15 million
_____		<input type="checkbox"/> More than \$15 million
5. Year Firm Established: _____		

1. Federal Tax ID Number: _____	6. <input type="checkbox"/> DBE	7. Annual Gross Receipts
2. Firm Name: _____	<input type="checkbox"/> Non-DBE	<input type="checkbox"/> Less than \$1 million
3. Phone: _____		<input type="checkbox"/> Between \$1 - \$5 million
4. Address: _____		<input type="checkbox"/> Between \$5 - \$10 million
_____		<input type="checkbox"/> Between \$10 - \$15 million
_____		<input type="checkbox"/> More than \$15 million
5. Year Firm Established: _____		

1. Federal Tax ID Number: _____	6. <input type="checkbox"/> DBE	7. Annual Gross Receipts
2. Firm Name: _____	<input type="checkbox"/> Non-DBE	<input type="checkbox"/> Less than \$1 million
3. Phone: _____		<input type="checkbox"/> Between \$1 - \$5 million
4. Address: _____		<input type="checkbox"/> Between \$5 - \$10 million
_____		<input type="checkbox"/> Between \$10 - \$15 million
_____		<input type="checkbox"/> More than \$15 million
5. Year Firm Established: _____		

1. Federal Tax ID Number: _____	6. <input type="checkbox"/> DBE	7. Annual Gross Receipts
2. Firm Name: _____	<input type="checkbox"/> Non-DBE	<input type="checkbox"/> Less than \$1 million
3. Phone: _____		<input type="checkbox"/> Between \$1 - \$5 million
4. Address: _____		<input type="checkbox"/> Between \$5 - \$10 million
_____		<input type="checkbox"/> Between \$10 - \$15 million
_____		<input type="checkbox"/> More than \$15 million
5. Year Firm Established: _____		

**AS APPLICABLE, PLEASE SUBMIT THIS FORM WITH YOUR: BID SHEET (Invitation to Bid - ITB)  
PRICE PROPOSAL (Request for Proposal - RFP)  
REPLY (Invitation to Negotiate - ITN)**



## BID CHECKLIST

(DOES NOT NEED TO BE RETURNED WITH YOUR BID)

This Checklist is provided as a guideline, only, to assist bidders in the preparation of their bid response. Included are some important matters that the bidder should check. This checklist is just a guideline, and is not intended to include all matters required by the ITB. Bidders are responsible to read and comply with the ITB in its entirety.

Check off each the following:

- 1. The "Bid Sheet" has been filled out completely, signed, and enclosed in the bid response.
- 2. The Federal Employers Identification Number or Social Security Number has been entered in the space provided.
- 3. "Drug-Free Workplace Program Certification" form has been read, signed, and enclosed in the bid response, if applicable.
- N/A 4. "Scrutinized Companies Lists" certification form has been read, signed, and enclosed in the bid response, if applicable (bids of \$1 million or more).
- 5. The Scope of Services section has been thoroughly reviewed for compliance to the bid requirements.
- 6. The prices bid have been reviewed for accuracy and all price corrections have been initialed in ink.
- 7. The www.myflorida.com website has been checked and any Addendums posted have been completed, signed, and included in the bid response.
- 8. The bid response must be received, at the location specified, **on or before** the Bid Due Date and Time designated in the ITB.
- 9. On the Lower Left Hand Corner of the Envelope transmitting your bid response, write in the following information:

Bid No.: ITB-DOT-17/18-7014LV

Vendor Name: \_\_\_\_\_

Title: District Seven Headquarters Lobby Restrooms and Office or Transportation Development Renovations

Opening Date & Time: See "TIMELINE" in INTRODUCTION SECTION