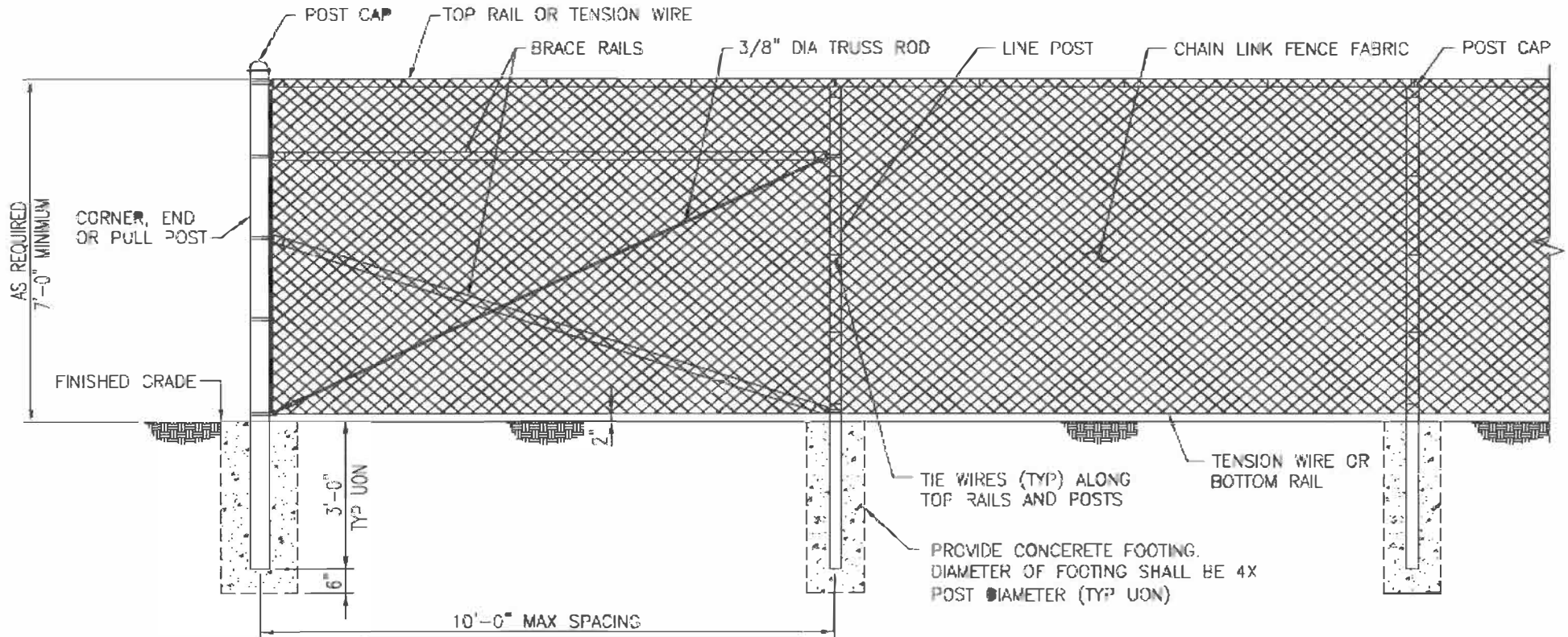
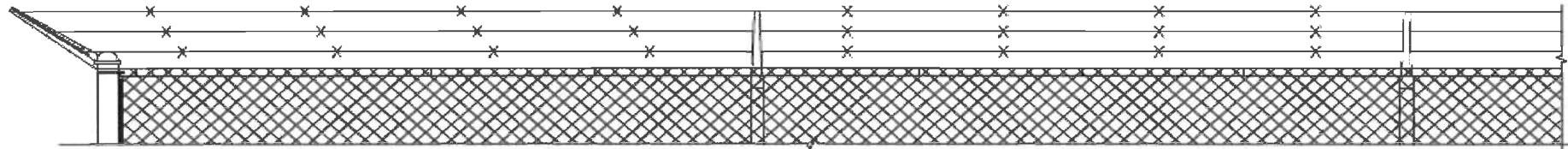


CHAIN-LINK FENCING AND DETAILS, UFC-700



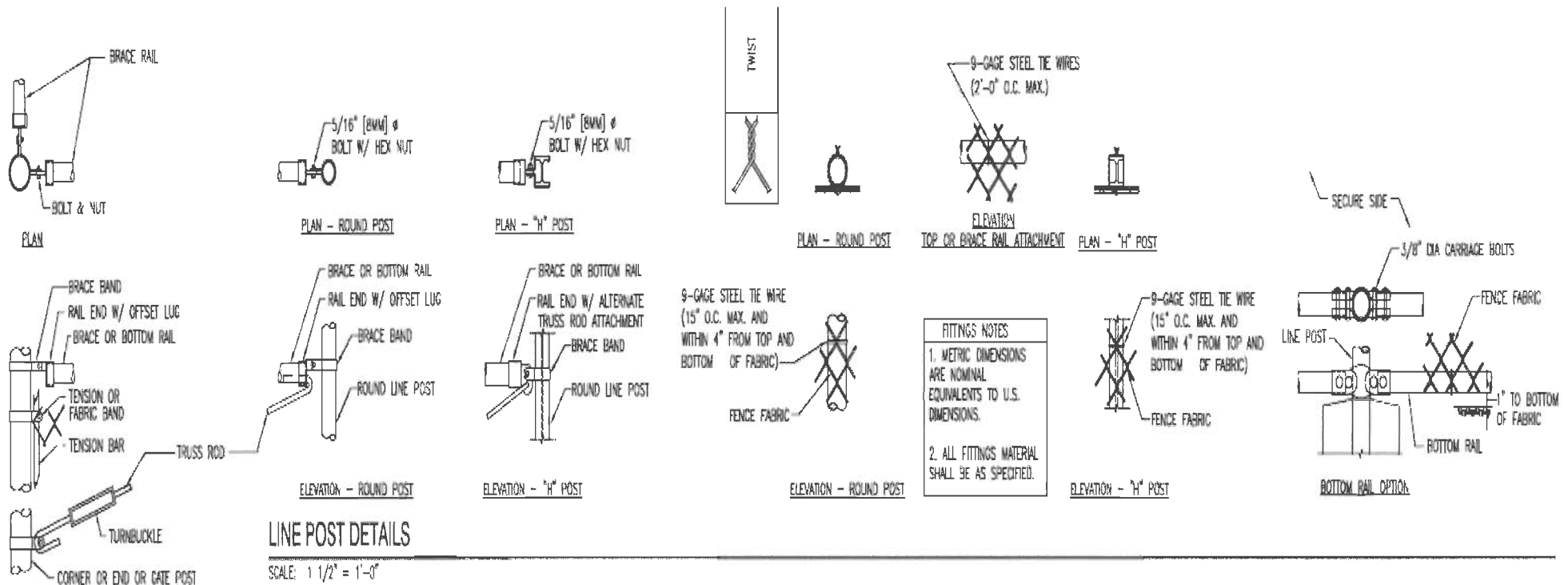
TYPICAL FENCE AND CORNER PANEL ELEVATION

SCALE: 1" = 1'-0"

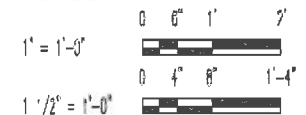


TYPICAL 3 STRAND BARBED WIRE AND SINGLE EXTENSION ARM CONFIGURATION

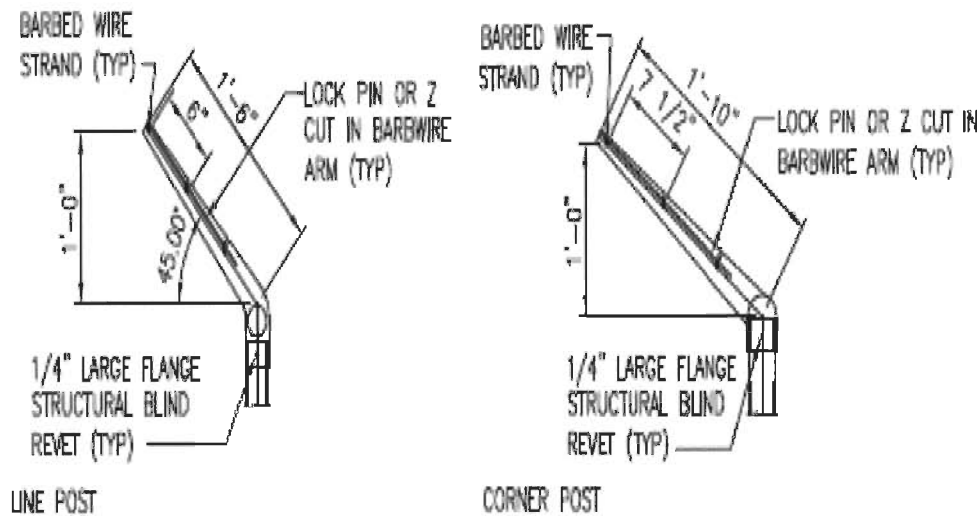
SCALE: 1" = 1'-0"



GRAPHIC SCALES

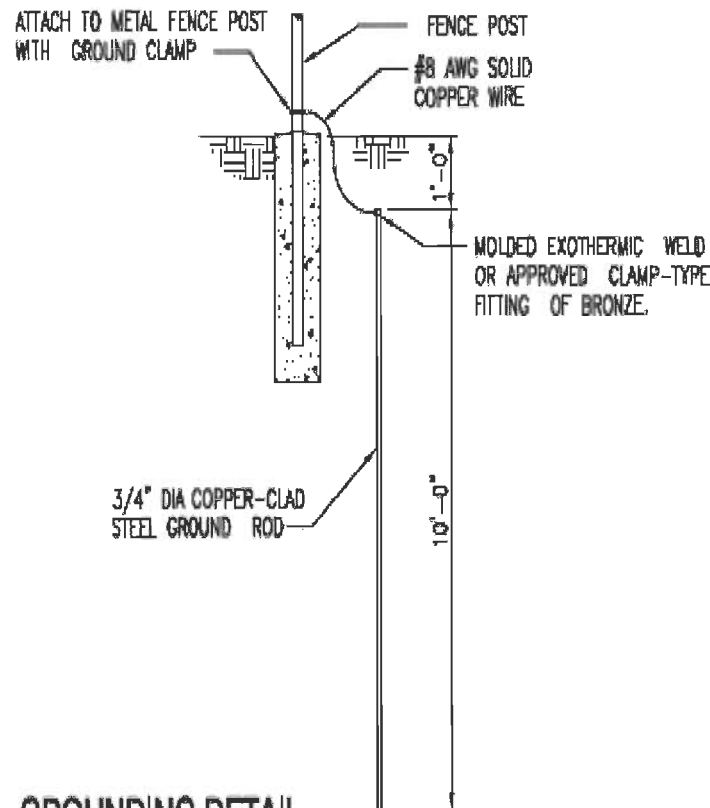


BARBED WIRE/ARRANGEMENT DETAILS, UFC-701



SINGLE EXTENSION ARM DETAILS

SCALE: 1" = 1'-0"



GROUNDING DETAIL

NO SCALE

CHAIN LINK FENCING NOTES

1. **FABRIC:** THE STANDARD FENCE FABRIC SHALL BE VINYL, ZINC OR ALUMINUM-COATED STEEL WIRE CHAIN LINK WITH MESH OPENINGS NOT LARGER THAN TWO INCHES PER SIDE AND A TWISTED AND BARBED SELVAGE AT TOP AND BOTTOM IN ACCORDANCE WITH THE SPECIFICATIONS. UTILIZE 6-GAUGE FOR BASE PERIMETER OR HEIGHTENED SECURITY ZONES AND 9-GAUGE FOR BASE INTERIOR OR WHEN JOINING AN EXISTING FENCE WHICH IS ALREADY 9-GAUGE.
2. **FABRIC TIES:** ONLY 12-GAUGE STEEL TIES SHALL BE USED. COATING OR PLATING WILL BE ELECTROLYTICALLY COMPATIBLE WITH THE FENCE FABRIC TO INHIBIT CORROSION.
3. **REINFORCEMENT:** TENSION WIRES SHALL BE INSTALLED AND INTERWOVEN (OR AFFIXED WITH FABRIC TIES) ALONG THE TOP & BOTTOM OF THE FENCE FOR STABILIZATION OF THE FENCE FABRIC.
4. **FENCE HEIGHT:** CHAIN LINK FABRIC SHALL BE 7' HIGH WITH AN ADDITIONAL 1' IN HEIGHT COMPOSED OF 3 STRANDS OF BARBED WIRE AS REQUIRED. THE TOTAL FENCE HEIGHT SHALL BE 8'.
5. **GROUND CLEARANCE:** BOTTOM OF THE FENCE FABRIC SHALL BE WITHIN TWO INCHES OF FIRM SOIL.
6. **TOP GUARDS:** A TOP GUARD IS AN OVERHANG OF BARBED WIRED ALONG THE TOP OF A FENCE, FACING OUTWARD (AWAY FROM PROTECTED SITE) AND UPWARD AT APPROX. 45° ANGLE. TOP GUARD SUPPORTING ARMS WILL BE PERMANENTLY AFFIXED TO THE TOP OF FENCE POSTS TO INCREASE THE OVERALL HEIGHT OF THE FENCE AT LEAST 1 FOOT. THREE STRANDS OF 12-GAUGE BARBED WIRE, EQUALLY SPACED, SHALL BE INSTALLED ON THE SUPPORTING ARMS.
7. **FENCE POSTS:** SHALL BE ASTM F1043 OR F1083 ROUND PIPE OR SQUARE TUBE AND SHALL BE GALVANIZED IN ACCORDANCE WITH THE SPECIFICATIONS. FENCE POST SPACING AND SIZE (DIAMETER) SHALL BE DETERMINED IN ACCORDANCE WITH CHAIN LINK FENCE MANUFACTURERS' INSTITUTE (WLG 2445). SPACING SHALL NOT EXCEED 10'-0" OC. SIZE (DIAMETER) SHALL NOT BE LESS THAN THAT SPECIFIED.

GRAPHIC SCALES

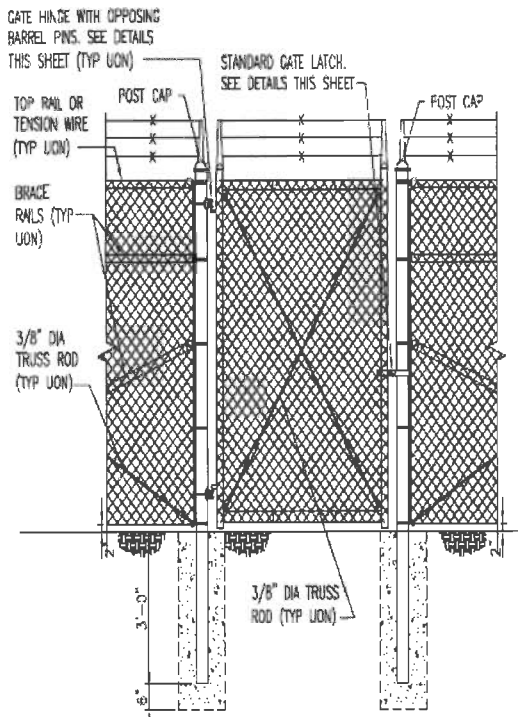


SINGLE SWING WALKING GATE, UFC-702



PLAN SINGLE SWING GATE

SCALE: 1" = 1'-0"



TYPICAL FENCE SINGLE SWING GATE ELEVATION

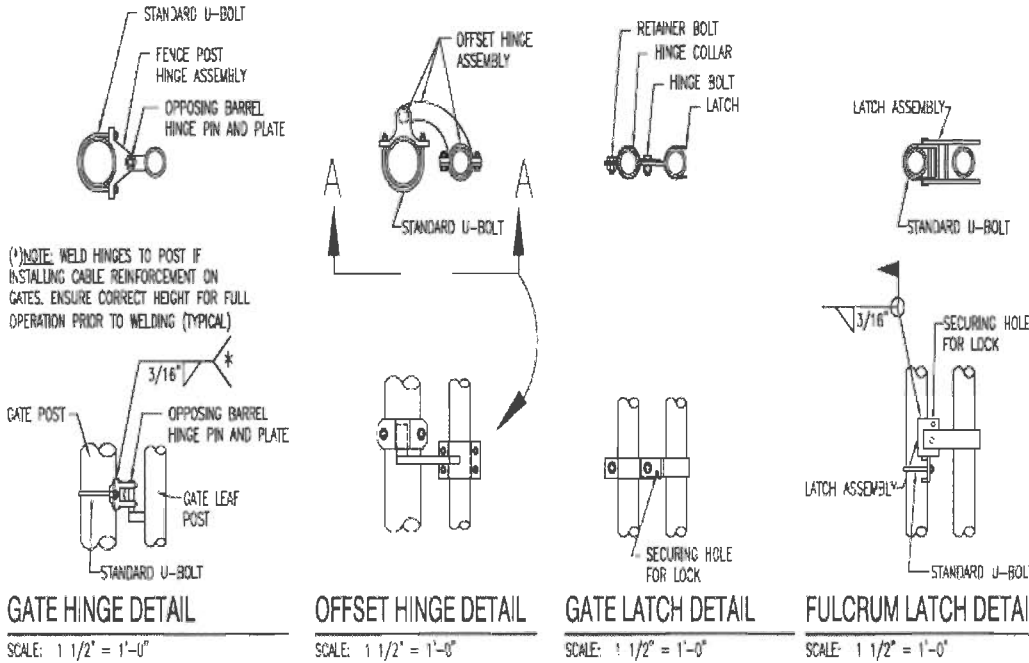
SCALE: 1/2" = 1'-0"

SINGLE OR DOUBLE LEAF GATES		
NOM HEIGHT (H)	U'PRIGHT HT (J)	FRAME HT (F)
NOM HT INCLUDING BARBED WIRE	ACTUAL DIM	ACTUAL DIM
8'-0" [2438MM]	7'-10" [2388MM]	6'-8 1/2" [2045MM]

SINGLE LEAF GATES		
OPENING	GATE POSTS	HINGE SPACE (S)
FACE TO FACE	SQUARE & ROUND SIZES	POST TO U'PRIGHT
3'-0" [914MM]	2.5" [63.5MM] SQ x 3/16" TH	FOR SQUARE & ROUND GATE POSTS: 2 1/4" [57MM]
THROUGH	OR	
6'-0" [1829MM]	2.875" [73MM] OD	
6'-0" [1829MM]	4" [102MM] SQ x 3/16" TH	FOR SQUARE & ROUND GATE POSTS: 2 1/4" [57MM]
THROUGH	OR	
12'-0" [3657MM]	4" [102MM] OD	
12'-0" [3657MM]	6" [153MM] SQ x 3/16" TH	FOR SQUARE & ROUND GATE POSTS: 2 1/4" [57MM]
THROUGH	OR	
18'-0" [5490MM]	6.625" [168MM] OD	
19'-0" [5790MM]	8" [203MM] SQ x 1/4" TH	FOR SQUARE & ROUND GATE POSTS: 2 1/4" [57MM]
THROUGH	OR	
23'-0" [7010MM]	8.625" [219MM] OD	

GATE POSTS & FOUNDATIONS: GATE POST SIZE AND ASSOCIATED FOOTING DIAMETER TO BE DETERMINED BY MANUFACTURER, BASED ON LEAF WEIGHT & DIMENSION, BUT NOT LESS THAN DIAMETER SHOWN ON THESE DRAWINGS. MINIMUM FOOTING DIAMETERS (TO BE FILLED W/4000 PSI CONC): 40" ϕ FOR 8" POST; 36" ϕ FOR 6" POST; 24" ϕ FOR 4" POST; OTHER SIZES TO BE DESIGNED BY MFR OR KTR. NO FOOTING WIDTH SHALL BE LESS THAN 4(X) THE POST WIDTH.

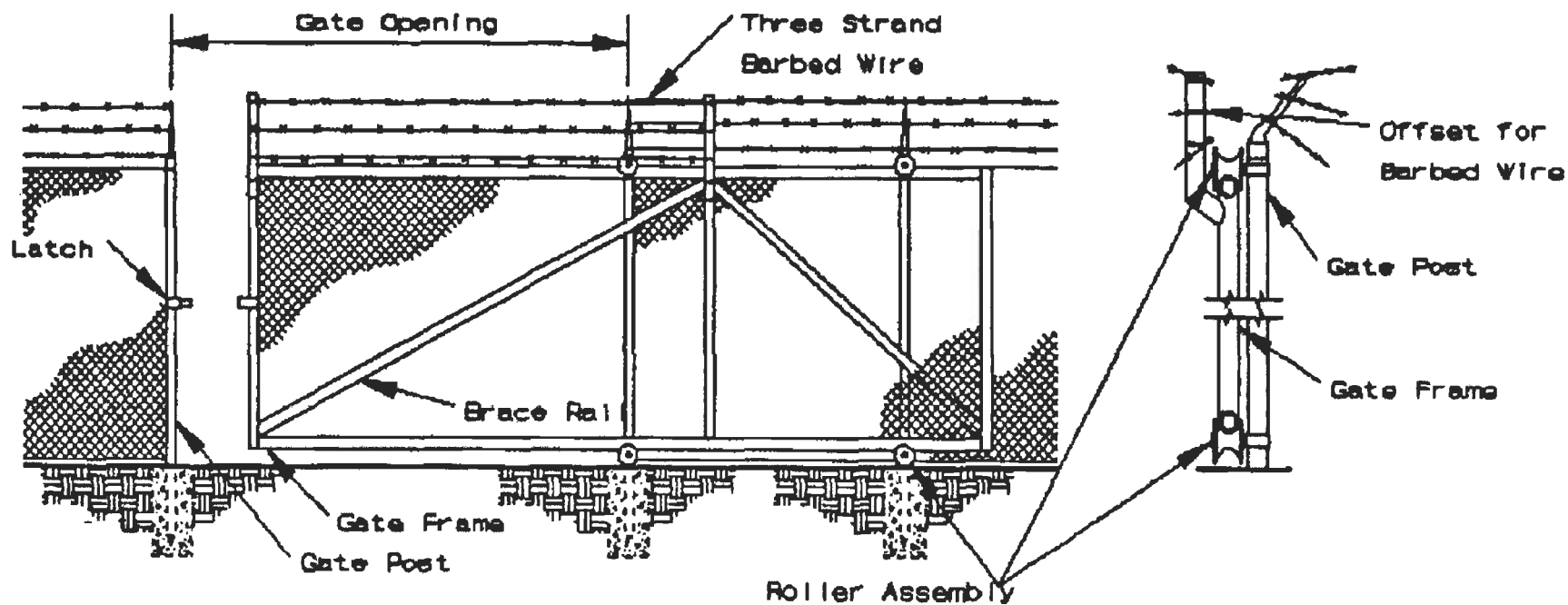
NOTE: IF GATE HINGES ARE NOT OPPOSING (AS SHOWN ABOVE) OR LEAF IS NOT LOCKED MECHANICALLY TO THE HINGES, WELD AN ANGLE, PLATE, OR BLOCK ABOVE HINGE TO RESTRICT LEAF FROM BEING REMOVED OR LIFTED OFF. RESTRICTION SHALL NOT HINDER OPERATION OF GATE.



GRAPHIC SCALES	
1/2" = 1'-0"	0 1' 2' 4'
1 1/2" = 1'-0"	0 4' 8' 1'-4"

Design single swing gates to match fence fabric height, with an additional 1 ft (305 mm) of three strand barbed wire added to the height if barb wire is part of the fence structure. The gate opening should not exceed a width of 14 ft (4.3 m).

CANTILEVER SLIDING GATE, UFC-703

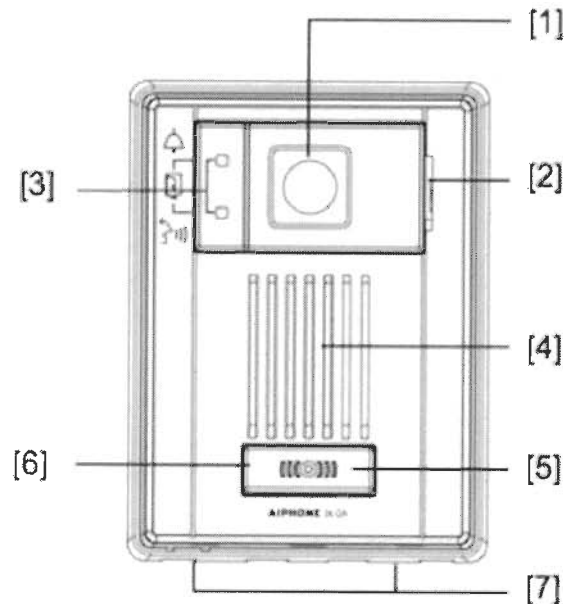


GATE POST FOUNDATIONS

Steel Post Diameter	Foundation Hole Diameter	Gate Leaf Length
2.875 in (73 mm)	18 in (450 mm)	0 - 6 ft (0 - 1.8 m)
4.000 in (101.6 mm)	24 in (609.6 mm)	6 - 12 ft (1.8 - 3.7 m)
6.625 in (168.3 mm)	36 in (914.4 mm)	12 - 18 ft (3.7 - 5.5 m)
8.625 in (219 mm)	40 in (1016 mm)	18 - 24 ft (5.5 - 7.3 m)

Aiphone IX-DA Video Surface Mount Door Station

- [1] Camera
- [2] Microphone
- [3] Status LED's
- [4] Speaker
- [5] Call button
- [6] White LED (for night viewing)
- [7] Water escape holes (do not obstruct)



SPECIFICATIONS:

Power Source: 802.3af PoE compliant

Communication: Open voice hands-free

Camera: 1/4" color CMOS

Min. illumination: 5 Lux

Wiring: CAT-5e or CAT-6

Door release: 24V AC/DC, 500mA (N/O, COM, N/C)

Audio out: 600 , 300mVrms

Operating temp: 14 degrees - 140 degrees F (-10 - -60C)

Dimensions: 3-13/16"W x 5-1/16"H x 1-05/8"D