



Daniel W. "Danny" Burgess, Jr.
Executive Director

State of Florida
DEPARTMENT OF VETERANS' AFFAIRS
Division of Administration and Public Information
11351 Ulmerton Road, Suite #311-K
Largo, FL 33778-1630
Phone: (727) 518-3202 Fax: (727) 518-3407

Ron DeSantis
Governor
Ashley Moody
Attorney General
Jimmy Patronis
Chief Financial Officer
Nikki Fried
Commissioner of Agriculture

ADDENDUM NO. 1
ITB NO. FDVA-ITB-20-022B
ITB TITLE: "BALDWIN & COPAS TVs AND ACCESSORIES"

ISSUE DATE: FRIDAY, MAY 22ND, 2020

The following shall address questions, responses, additions, clarifications, and/or changes relative to **FDVA-ITB-20-022B**. The below questions, responses, additions, clarifications, changes, and/or attachment(s) shall amend **FDVA-ITB-20-022B**.

- 1) Vendor Question:** In regards to this solicitation, can you please provide the exhibit A attachments in a new file. The ones attached to the solicitation are not legible in their current form?

FDVA Response: Attached to this Addendum No. 1 are Exhibit "A" and Exhibit "B".

Failure to file a protest within the time prescribed in Section 120.57(3), Florida Statutes, or failure to post the bond or other security required by law within the time allowed for filing a bond shall constitute a waiver of proceedings under Chapter 120, Florida Statutes. Any protest concerning this FDVA decision must be timely received by FDVA Agency Clerk at: Florida Department of Veterans' Affairs, Office of the General Counsel – Agency Clerk, The Capitol, Suite 2105, 400 South Monroe Street, Tallahassee, Florida 32399-0001.

REMINDER: Make sure to fully execute and include Solicitation No. FDVA-ITB-20-022B Form "4" Addendum Acknowledgment with complete bid package submission. Failure to do so may result in respondent bid being considered nonresponsive.

Solicitation No. FDVA-ITB-20-022B is revised to the extent specifically amended by this Addendum. Otherwise, all other terms, conditions, and provisions of Solicitation No. FDVA-ITB-20-022B remain in full force and effect.

As specified in Solicitation No. FDVA-ITB-20-022B, Respondents bids shall be delivered:

- **PRIOR TO:**

3:00 PM (local time), on Tuesday, June 9th, 2020

- **TO:**

Rodrigo Pasion
Purchasing Specialist
Florida Department of Veterans' Affairs
Mary Grizzle State Office Building
11351 Ulmerton Road, Suite 311-K
Largo, FL 33778-1630

Sincerely,
Rodrigo Pasion
Purchasing Specialist
Florida Department of Veterans' Affairs

This section is intentionally left blank

FDVA-ITB-20-022B
“EXHIBIT A”
EQUIPMENT SPECIFICATIONS

COPAS & BALDWIN TVs AND ACCESSORIES OR
FDVA APPROVED EQUIVALENT

ST650(P)



Mounting Pattern
742 x 405mm
(29.21" x 15.95")



Max Load
175lb
(79kg)

SMARTMOUNT

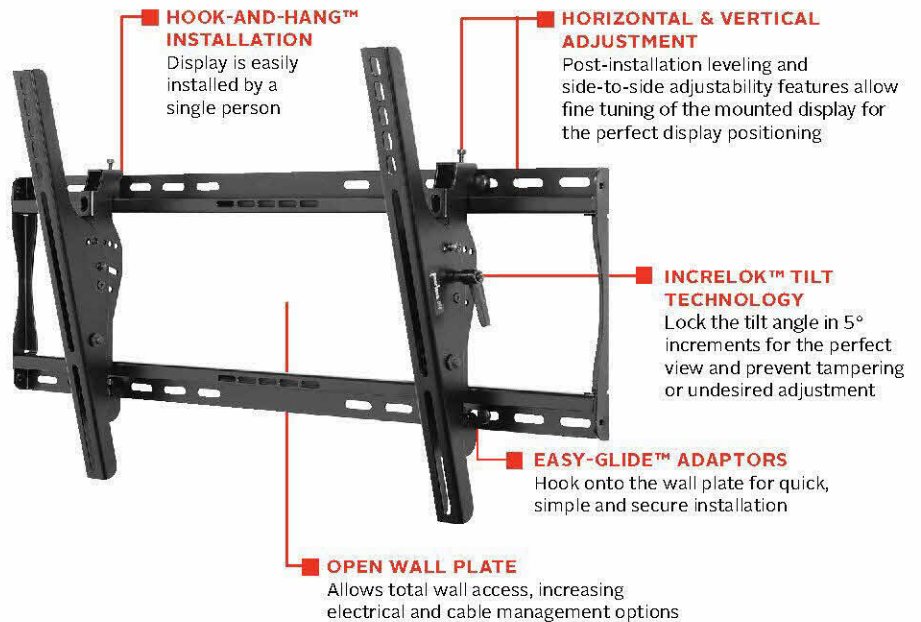
TAG A5210A

Universal Tilt Wall Mount

FOR 39" TO 75" DISPLAYS

The SmartMount® Universal Tilt Wall Mount series offers the most versatile installation features and mounting options. Horizontal and vertical adjustment abilities allow for post installation leveling and side-to-side positioning, making it easier than ever to find the perfect TV position. Lock the tilt angle at installation to prevent tampering or moving with the IncreLok™ tilt technology. Security screws provided in the ST650 models deter tampering and theft. The open wall plate design offers total wall access, increasing the electrical and cable management options. The display can now simply be installed by a single person with the Hook-and-Hang™ system. The Easy-Glide™ adaptors hook onto the wall plate for an overall quick, simple and secure installation.

- Universal mount fits displays with mounting patterns up to 742 x 405mm (29.21" W x 15.95" H) and accommodates up to 600 x 400mm VESA® patterns
- Adjustable 15° forward tilt and 5° backward tilt for finding the optimal viewing angle
- Easy-Grip™ ratcheting handle locks tilt angle into place
- Up to 0.25" (6mm) of vertical adjustment on each universal display adaptor bracket for post-installation leveling and height adjustment fine-tuning
- Horizontal display adjustment up to 8.00" (203mm) for centering display on wall
- Includes all necessary wall and display attachment hardware
- Integrated security options available
- Design is UL listed and tested to four times stated load capacity
- For mounts requiring theft resistant hardware, installed with security tool (included), please purchase ST650
- For mounts requiring standard hardware, installed with a Philips screwdriver, please purchase ST650P



+15°/-5° of tilt for versatile viewing angles.



Comes in color packaging with included installation hardware and easy to follow instructions.



Please visit peerless-av.com/en-us/patents for patent information.

- ST650P SmartMount® Universal Tilt Wall Mount for 39" to 75" Displays - Standard Models
- ST650 SmartMount® Universal Tilt Wall Mount for 39" to 75" Displays - Security Models

Product Specifications

	DIMENSIONS (W x H x D)	PRODUCT WEIGHT	LOAD CAPACITY	FINISH	AVAILABLE COLORS
ST650(P)	31.26" x 16.89" x 2.62"-5.40" (794 x 429 x 67-137mm)	8.15lb (3.70kg)	175lb (79kg)	Scratch Resistant Fused Epoxy	Semi-Gloss Black

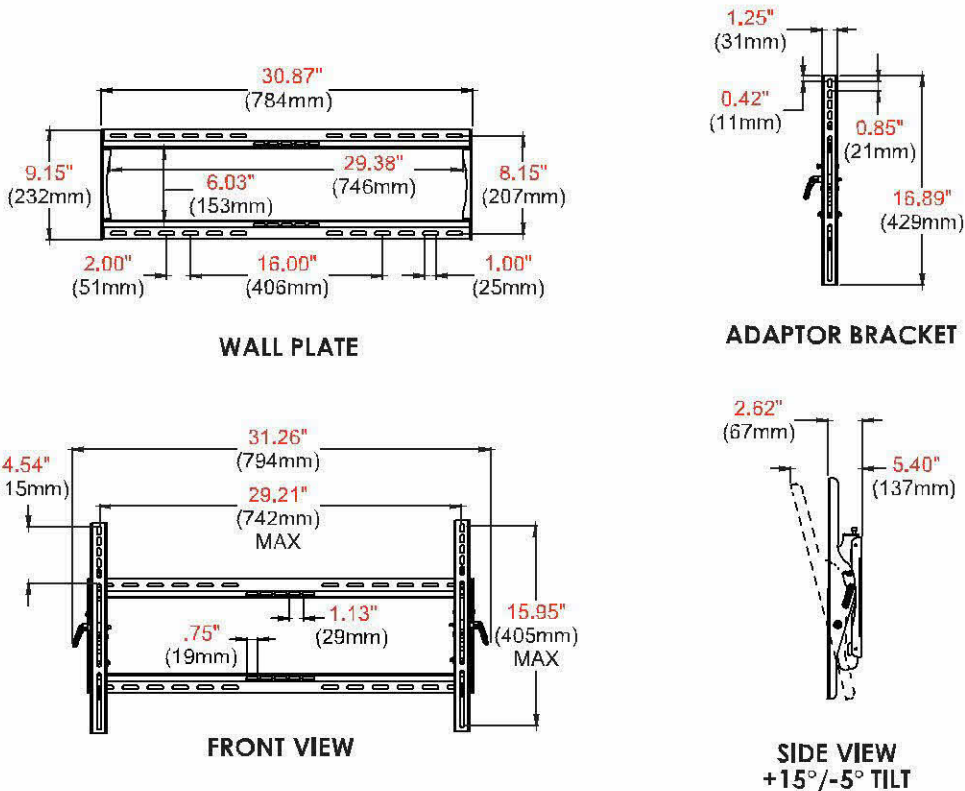
Package Specifications

	PACKAGE SIZE (W x H x D)	PACKAGE SHIP WEIGHT	PACKAGE UPC CODE	PACKAGE CONTENTS	UNITS IN PACKAGE
ST650(P)	33.19" x 2.95" x 10.71" (843 x 75 x 272mm)	10.35lb (4.70kg)	ST650: 735029235941 ST650P: 735029235965	Wall Mount, Wall and Display Installation Hardware, Installation Instructions	1

Accessories

- ACC415: 4-pack Metal Stud Fastener Kit
- ACC-WMVCs: Video Conferencing Shelf
- ACC309: Video Conference Shelf
- ESHV models: AV Wall Shelves
- ACC-UCM: Universal AV Component Mount
- IBA4-W: Easy Mount Recessed Low Voltage Cable Plate

All dimensions = inch (mm)



Architect Specifications

The SmartMount® Tilt Wall Mount shall be a Peerless-AV model ST650(P) and shall be located where indicated on the plans. Assembly and installation shall be done according to instructions provided by the manufacturer.

Visit peerless-av.com to see the complete line of AV solutions from Peerless-AV, including outdoor displays, wireless, kiosks, digital audio, display mounts, projector mounts, carts/stands, and a full assortment of accessories.

Peerless-AV
2300 White Oak Circle
Aurora, IL 60502 USA

(800) 865-2112
(630) 375-5100
Fax: (800) 359-6500

Peerless-AV EMEA
Unit 3 Watford Interchange
Colonial Way, Watford
Herts, WD24 4WP
United Kingdom
+44 (0) 1923 200100
Fax: +44 (0) 1923 200101

Peerless-AV Latin America
Ave de las Industrias 413
Parque Industrial Escobedo
Escobedo, N.L.,
Mexico 66062
+52 (81) 8384-8300
Fax: +52 (81) 8384-8360



FDVA-ITB-20-022B
“EXHIBIT B”
EQUIPMENT SPECIFICATIONS

COPAS & BALDWIN TVs AND ACCESSORIES OR
FDVA APPROVED EQUIVALENT

A5210A does not need articulating function, but must tilt and accommodate 42" to 60" displays.

A5210B

SMARTMOUNT[®]

Articulating Wall Arm

FOR 39" TO 75" DISPLAYS

42" to 60" Range



SA761PU



Mounting Pattern
600 x 400mm
(23.62" x 15.75")



Max Load
125lb
(57kg)

The SmartMount[®] Articulating Wall Arm series offers the most versatile installation features and mounting options. The I-Shaped Adaptor plate's innovative design helps avoid blocking connections on back of display. Vertical adjustment ability allows for post installation leveling, making it easier than ever to find the perfect display position. With SA761PU, extend the display up to 26.60" (676mm) or fully-retract it to just 3.10" (79mm) from the wall for the perfect viewing position. The display can now simply be installed by a single person with the Hook-and-Hang[™] system. One-Touch[™] tilt technology offers +15°/-5° vertical tilt movement for the ideal viewing angle. Integrated cable management protects, contains and conceals cables for a clean installation.

- Universal mount accommodates 200 x 100 to 600 x 400mm VESA[®] mounting patterns
- Retracts to hold display just 3.10" (79mm) from the wall
- ±90° of pivot allows for perfect display positioning
- Easy leveling ±5° after display installation
- Quick and easy, Hook-and-Hang[™] one-person installation
- Landscape or portrait mounting options increases display versatility
- Stylish wall plate covers create a finished look and are easy to install and remove
- Open wall plate design increases electrical and cable management options
- Removable cover for wall plate knockout included
- Includes all necessary wall and display attachment hardware
- Design is UL listed and tested to four times stated load capacity



Swivel, tilt, extend or retract the display for the perfect viewing angle.



Integrated cable management keeps cords and cables out of the way.



Comes in color packaging with included installation hardware and easy-to-follow instructions.



Please visit peerless-av.com/en-us/patents for patent information.

✉ info@peerless-av.com
🌐 peerless-av.com

peerless-AV[®]
Driving Technology Through Innovation

SA761PU SmartMount® Articulating Wall Arm for 39" to 75" Displays

Product Specifications

	DIMENSIONS (W x H x D)	PRODUCT WEIGHT	LOAD CAPACITY	FINISH	AVAILABLE COLORS
SA761PU	24.50" x 19.87" x 3.10"-26.60" (622 x 505 x 79-676mm)	24.5lb (11.1kg)	125lb (57kg)	Scratch Resistant Fused Epoxy	Semi-Gloss Black

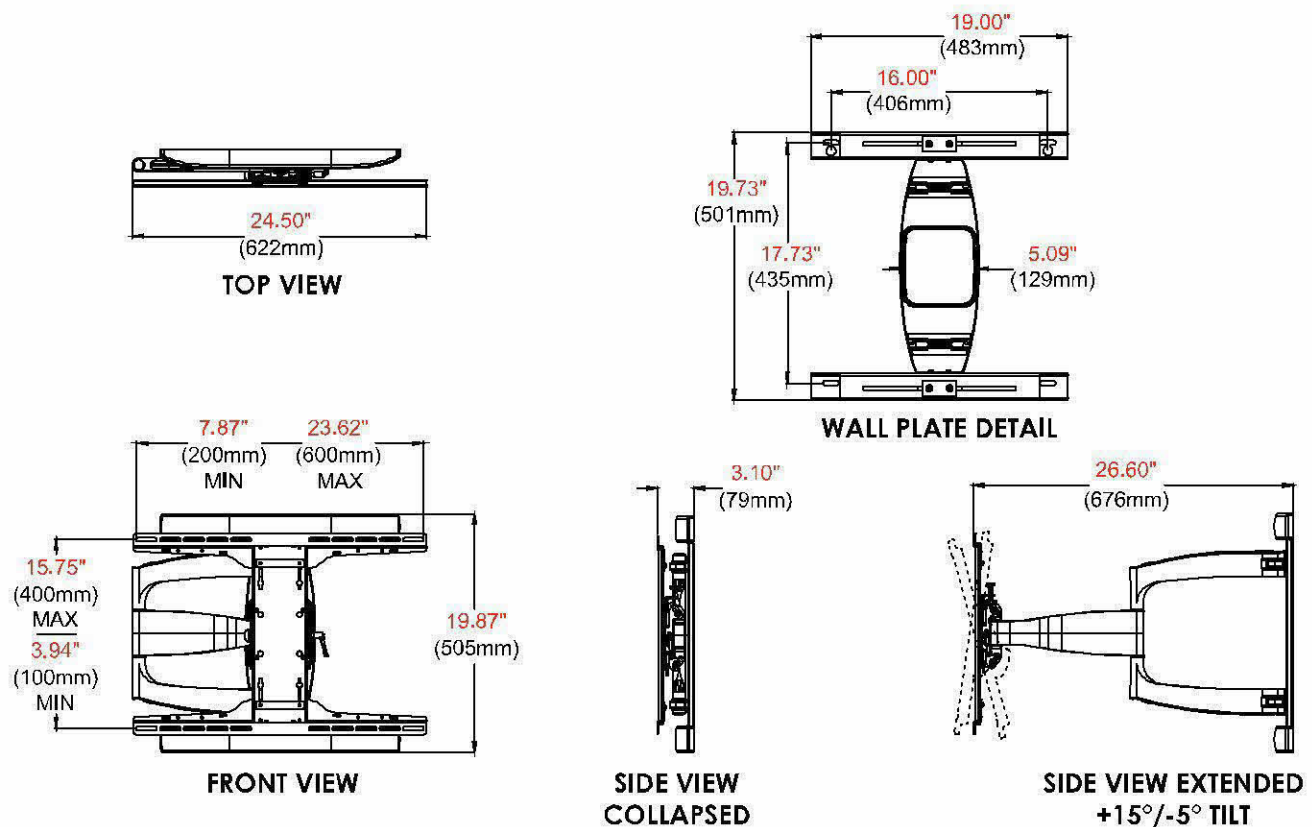
Package Specifications

	PACKAGE SIZE (W x H x D)	PACKAGE SHIP WEIGHT	PACKAGE UPC CODE	PACKAGE CONTENTS	UNITS IN PACKAGE
SA761PU	40.75" x 23.75" x 4.75" (1035 x 603 x 121mm)	33.6lb (15.2kg)	00735029266587	Wall Mount, Wall and Display Installation Hardware, Installation Instructions	1

Accessories

- ACCXT400:** Recessed Power Outlet with Low Voltage In-Wall Cable Routing
- IBA4-W:** Easy Mount Recessed Low Voltage Cable Plate
- IBA5-W:** Recessed Low Voltage Media Plate with Duplex Surge Suppressor
- WSP756:** Metal Stud Wall Plate

All dimensions = inch (mm)



Architect Specifications

The SmartMount® Articulating Wall Arm shall be a Peerless-AV model SA761PU and shall be located where indicated on the plans. Assembly and installation shall be done according to instructions provided by the manufacturer.

Visit peerless-av.com to see the complete line of AV solutions from Peerless-AV, including outdoor displays, wireless, kiosks, digital audio, display mounts, projector mounts, carts/stands, and a full assortment of accessories.

Peerless-AV
2300 White Oak Circle
Aurora, IL 60502 USA
(800) 865-2112
(630) 375-5100
Fax: (800) 359-6500

Peerless-AV EMEA
Unit 3 Watford Interchange
Colonial Way, Watford
Herts, WD24 4WP
United Kingdom
+44 (0) 1923 200100
Fax: +44 (0) 1923 200101

Peerless-AV Latin America
Ave de las Industrias 413
Parque Industrial Escobedo
Escobedo, N.L.,
Mexico 66062
+52 (81) 8384-8300
Fax: +52 (81) 8384-8360

