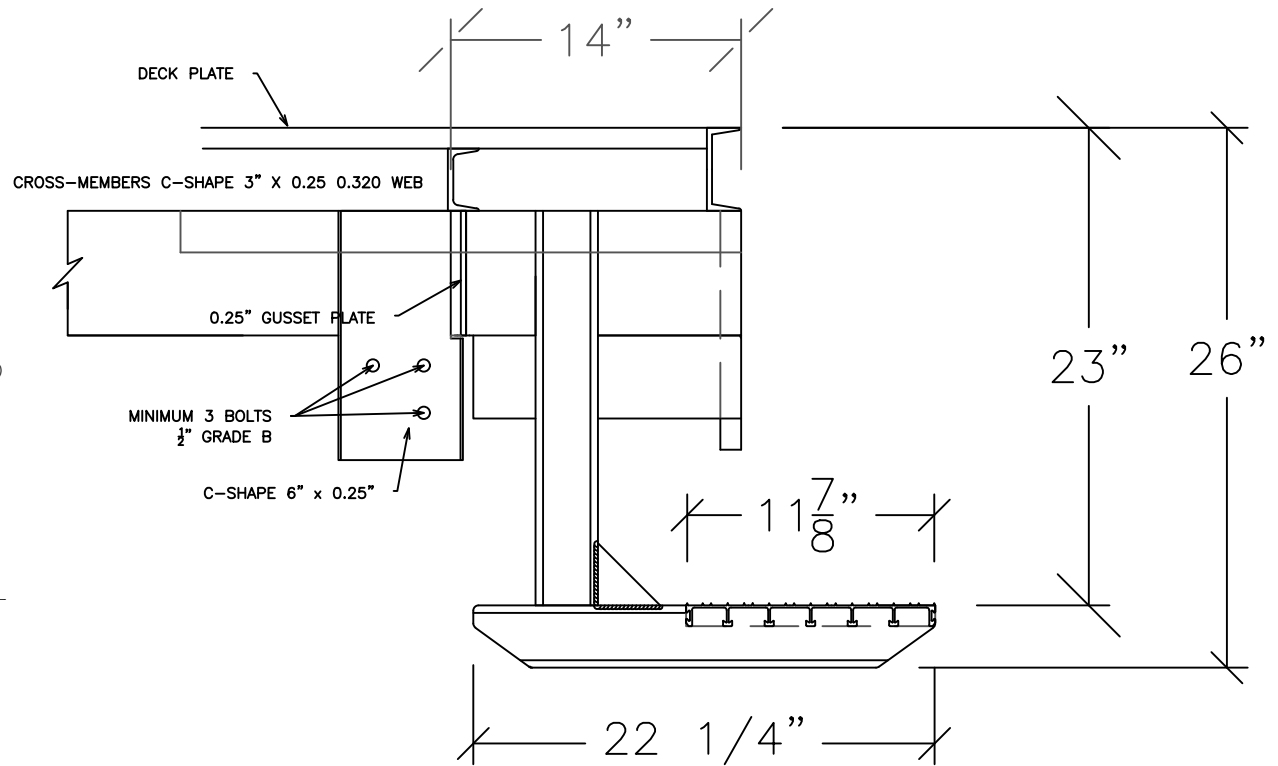


FLORIDA DEPARTMENT OF ENVIRONMENTAL PROTECTION

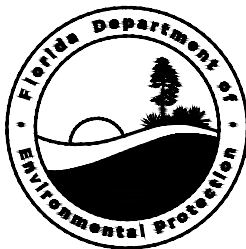
FPS FIRE ENGINE  
DRAWINGS & TECHNICAL SPECIFICATIONS





## BUMPER NOTES:

- INSTALL TRAILER HITCH PRIOR TO BUMPER CONSTRUCTION
- MUST BE CONSTRUCTED OF ALUMINUM EXTRUDED PLANKING DIE NUMBER 515518.
- MATERIAL SUCH AS DIAMONDBACK EASY GRIP VENTILATED DECK PLATE PLANK OR A DEP APPROVED EQUIVALENT WILL BE USED.
- FOR AN EQUIVALENT TO BE CONSIDERED, THE VENDOR MUST SUBMIT A SAMPLE FOR DEP EVALUATION AND POSSIBLE APPROVAL. DEP SHALL DETERMINE IN ITS SOLE DISCRETION WHETHER THE ALTERNATE INSTALLATION IS ACCEPTABLE.
- BUMPER TOP WILL BE MOUNTED AT AN APPROXIMATE 23 INCH DROP FROM TOP DECK HEIGHT BASED ON PRIOR INSTALLATION OF A TRAILER HITCH.
- BUMPER PLATFORM WILL BE ATTACHED TO THE BED AND SUPPORTED BY 3-INCH BY 1.5-INCH ALUMINUM CHANNEL OF 0.124-INCH THICKNESS.
- BUMPER MUST CONFORM TO ALL STATE AND/OR FEDERAL STANDARDS.
- DIMENSIONS VARY WITH MODEL TYPE OF TRUCK. MOUNTING OF THE STEP UNDERNEATH TO THE FRAME IS DEPENDANT ON THE TRUCKS FRAME
- REAR BED MOUNT MAY NEED MODIFICATION DUE TO HITCH INSTALLATION



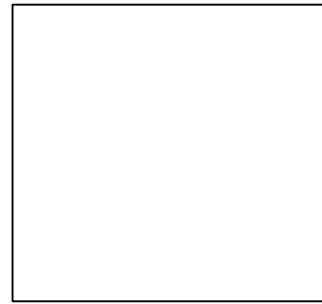
FLORIDA DEPARTMENT OF ENVIRONMENTAL PROTECTION

## FPS FIRE ENGINE

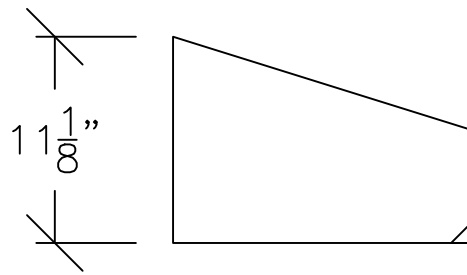
DRAWINGS & TECHNICAL SPECIFICATIONS



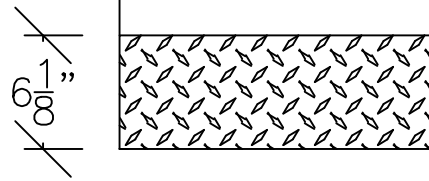
17  $\frac{1}{4}$ "



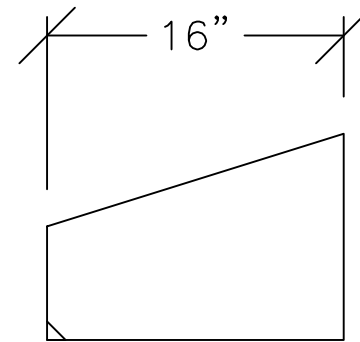
TOP



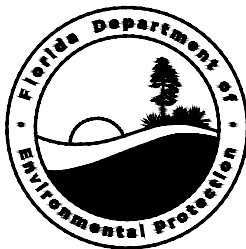
LEFT SIDE



FRONT



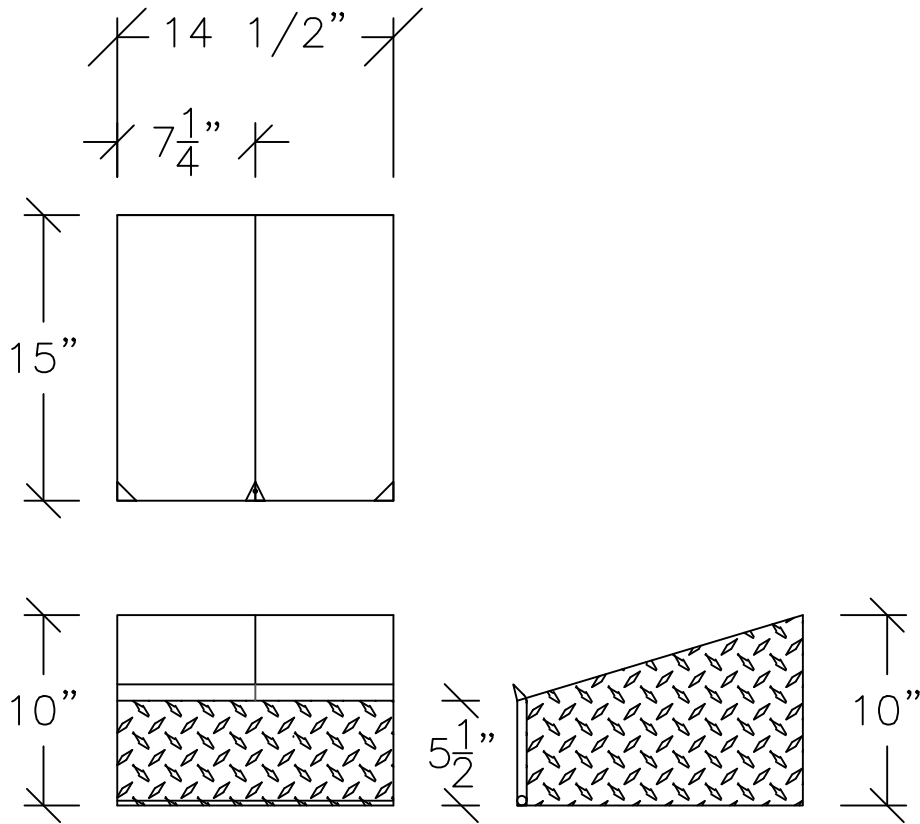
RIGHT SIDE



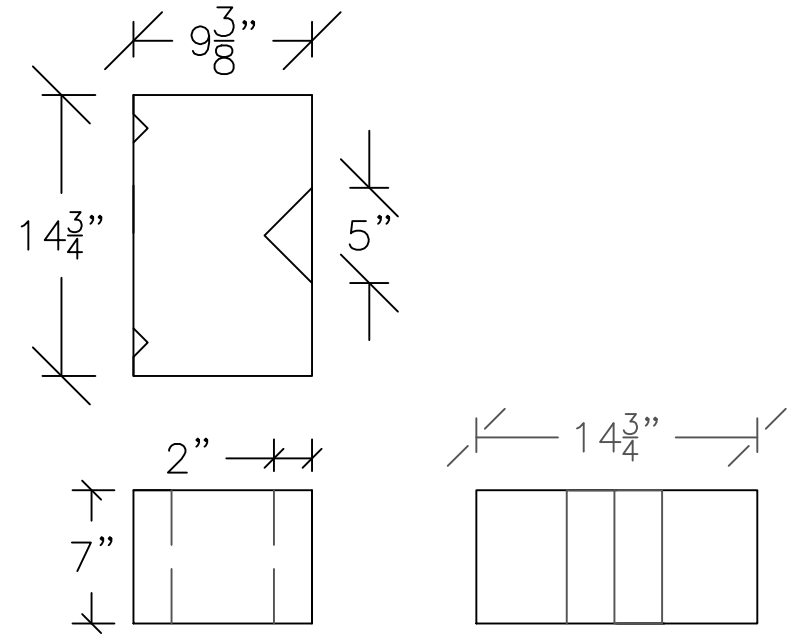
FLORIDA DEPARTMENT OF ENVIRONMENTAL PROTECTION

FPS FIRE ENGINE  
DRAWINGS & TECHNICAL SPECIFICATIONS





GERRY CAN HOLDER



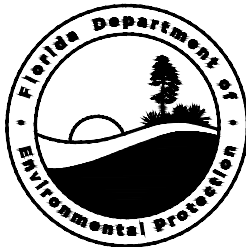
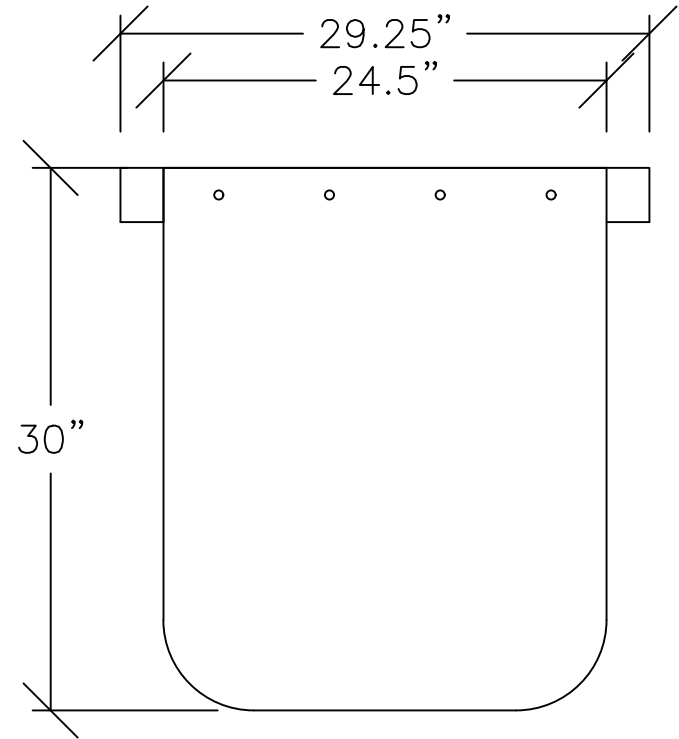
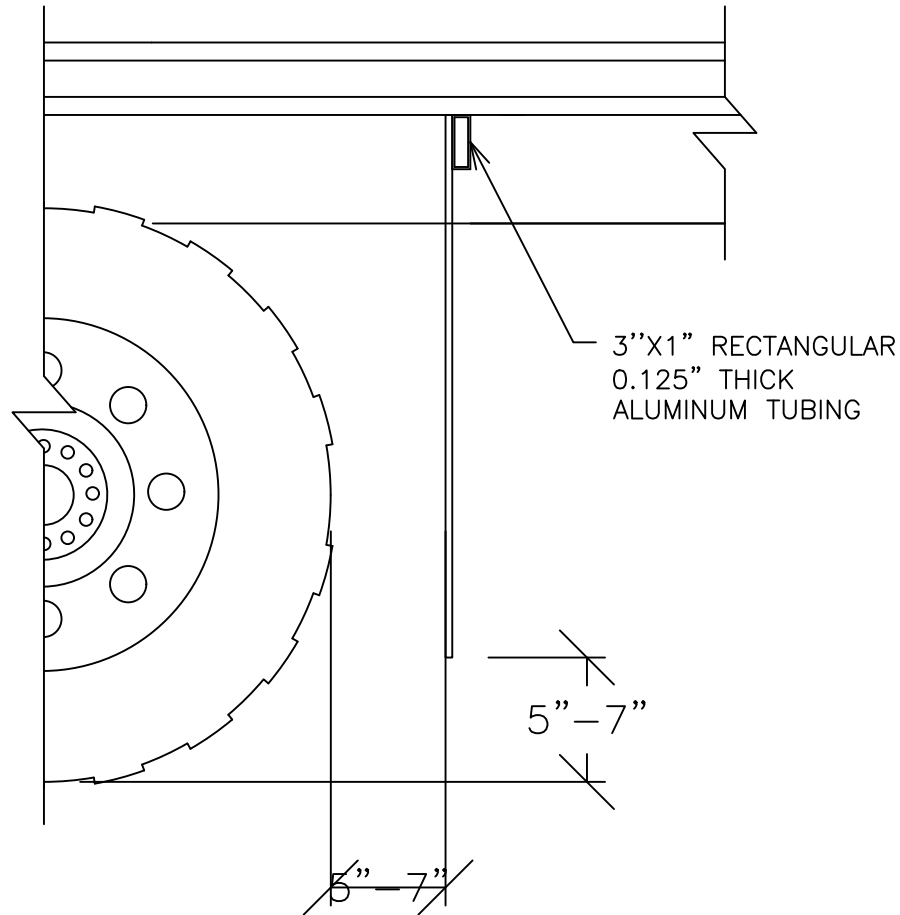
DRIP TORCH HOLDER



FLORIDA DEPARTMENT OF ENVIRONMENTAL PROTECTION

FPS FIRE ENGINE  
DRAWINGS & TECHNICAL SPECIFICATIONS

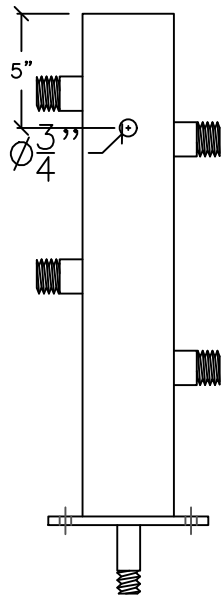




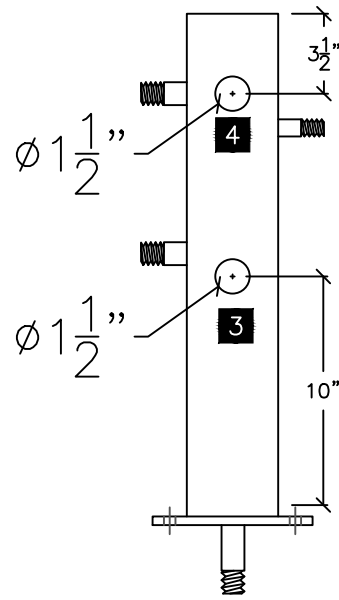
FLORIDA DEPARTMENT OF ENVIRONMENTAL PROTECTION

FPS FIRE ENGINE  
DRAWINGS & TECHNICAL SPECIFICATIONS

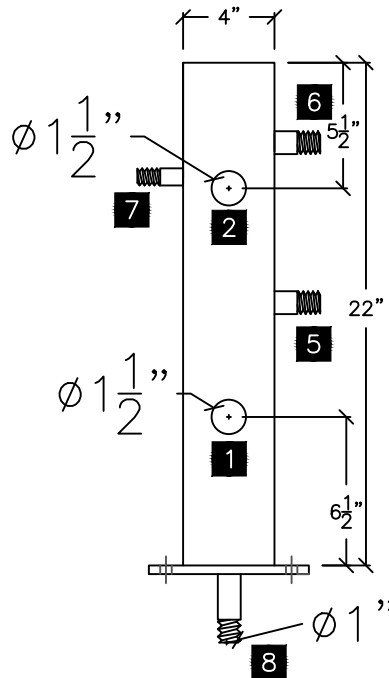




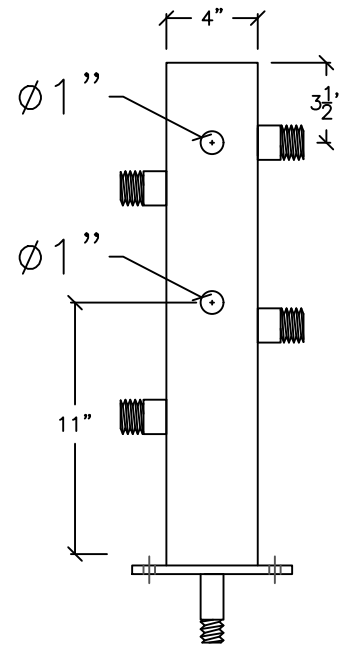
LEFT



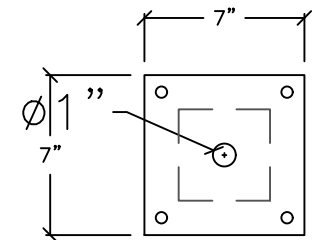
BACK



FRONT



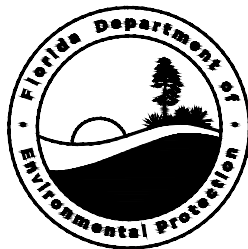
RIGHT



BOTTOM

MANIFOLD NOTES:

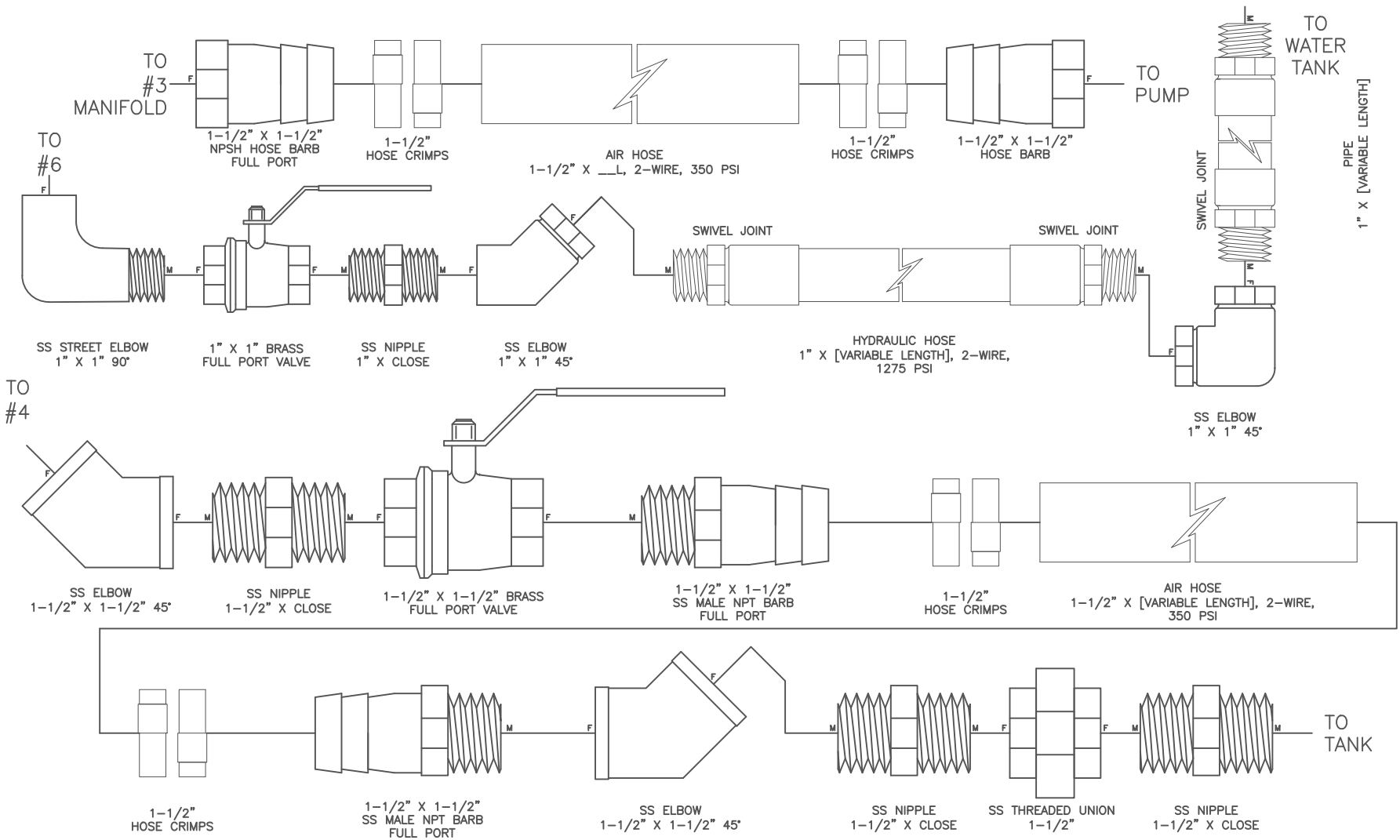
- BASE PLATE SHALL HAVE 4 PRE-DRILLED 1/4 INCH CORNER HOLES FOR ATTACHMENT TO THE TRUCK DECK.
- DEP WILL CONFIRM LOCATIONS OF CORNER HOLES ONCE DECK IS CONSTRUCTED.
- ALL NIPPLES ARE THREADED MALE NPT AND 2-INCH IN LENGTH.
- ALL MANIFOLDS SHALL BE PRESSURE TESTED AT 300 PSI.



FLORIDA DEPARTMENT OF ENVIRONMENTAL PROTECTION

FPS FIRE ENGINE  
DRAWINGS & TECHNICAL SPECIFICATIONS

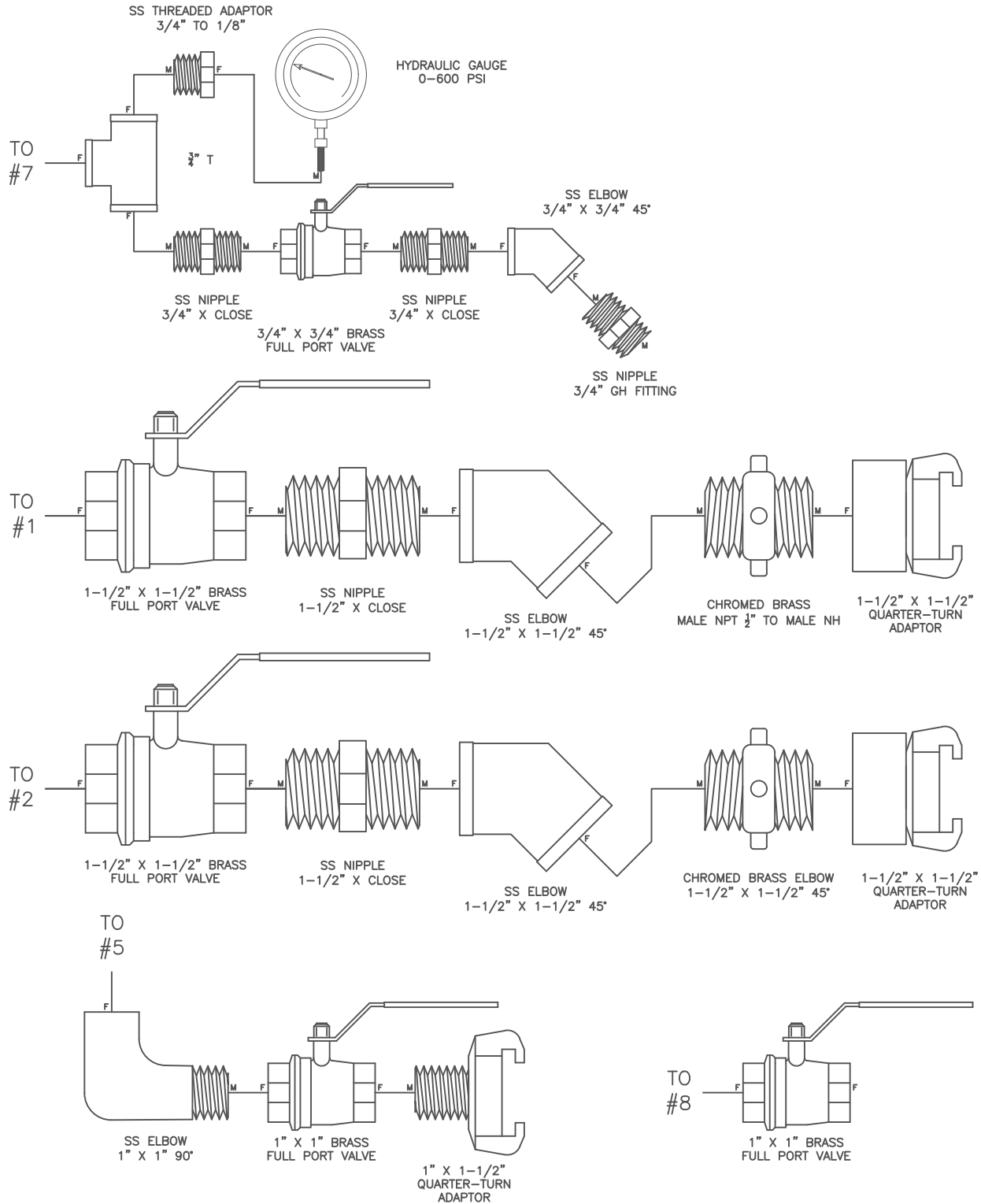




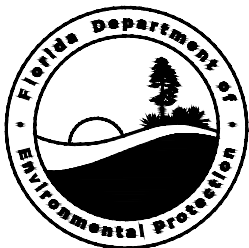
FLORIDA DEPARTMENT OF ENVIRONMENTAL PROTECTION

## FPS FIRE ENGINE DRAWINGS & TECHNICAL SPECIFICATIONS





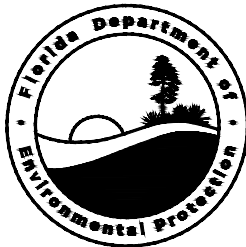
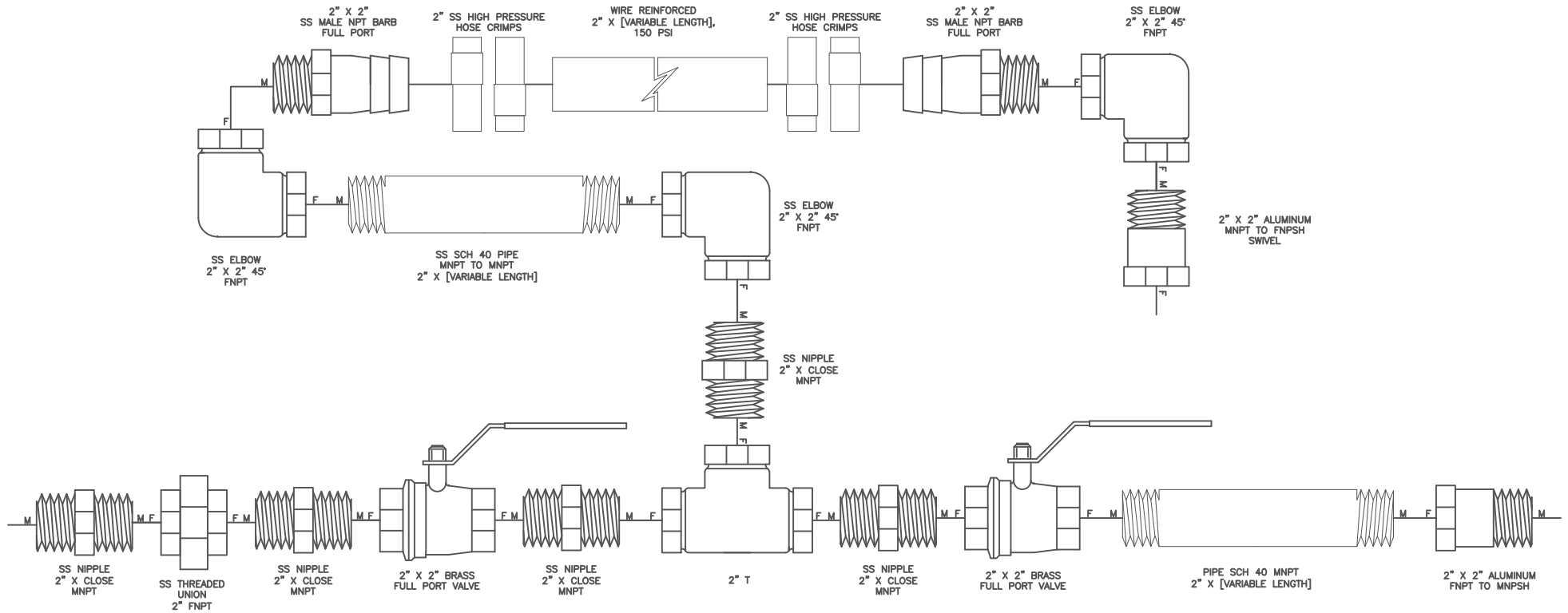
FLORIDA DEPARTMENT OF ENVIRONMENTAL PROTECTION



FPS FIRE ENGINE  
DRAWINGS & TECHNICAL SPECIFICATIONS



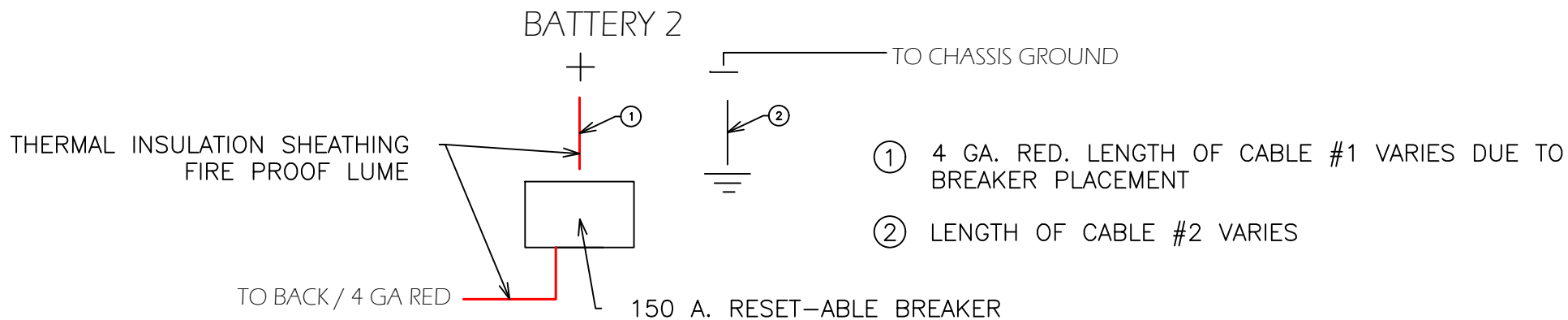
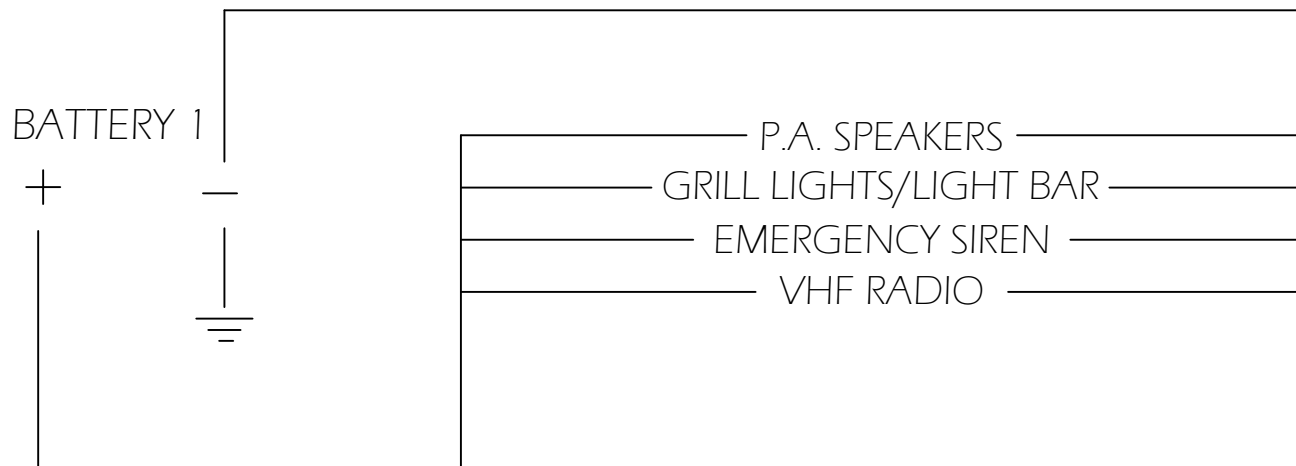




FLORIDA DEPARTMENT OF ENVIRONMENTAL PROTECTION

## FPS FIRE ENGINE DRAWINGS & TECHNICAL SPECIFICATIONS



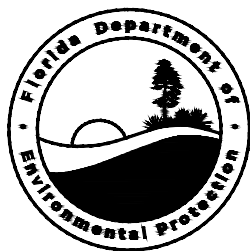
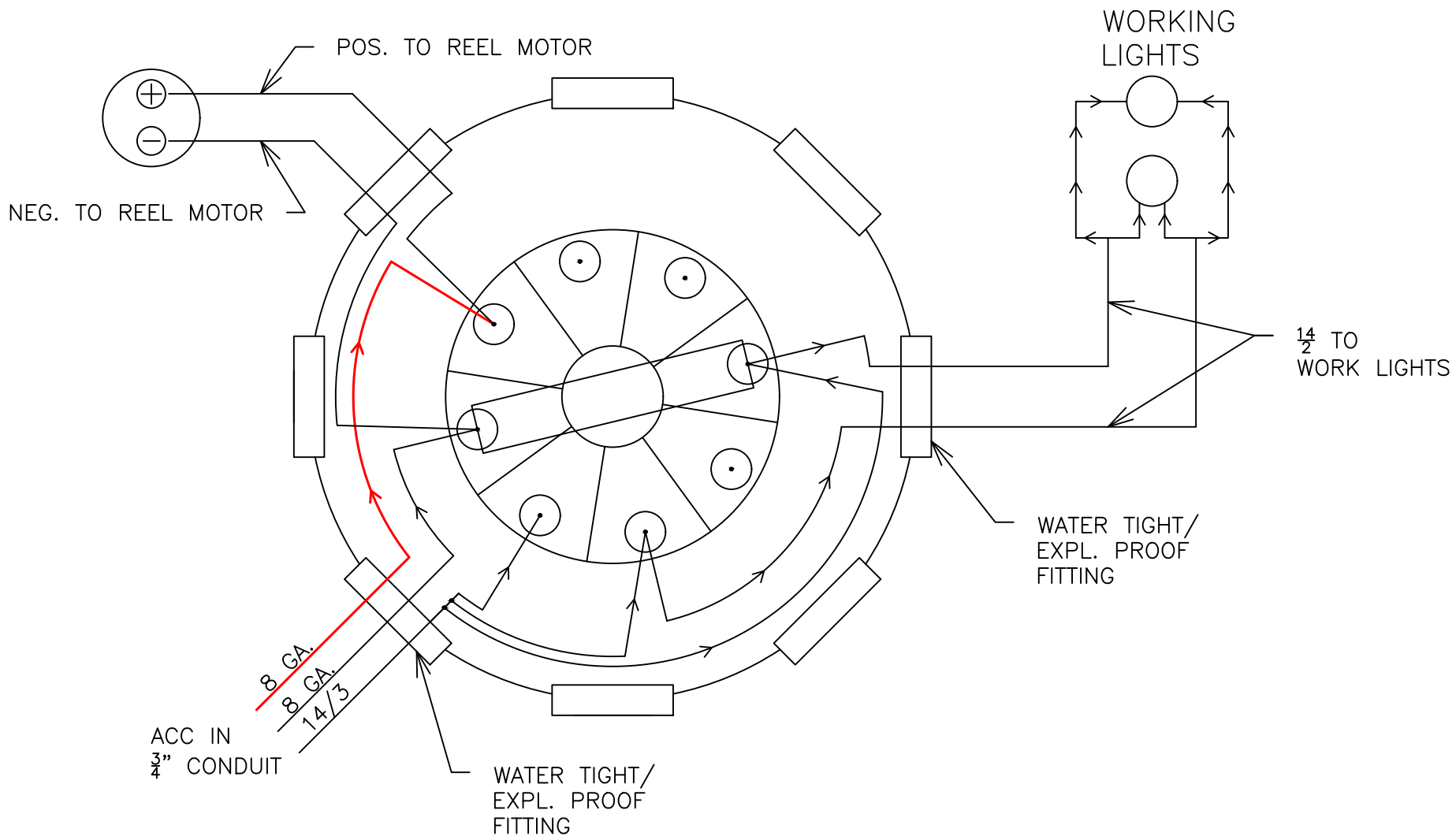


FLORIDA DEPARTMENT OF ENVIRONMENTAL PROTECTION

## FPS FIRE ENGINE

DRAWINGS & TECHNICAL SPECIFICATIONS



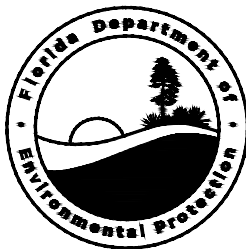
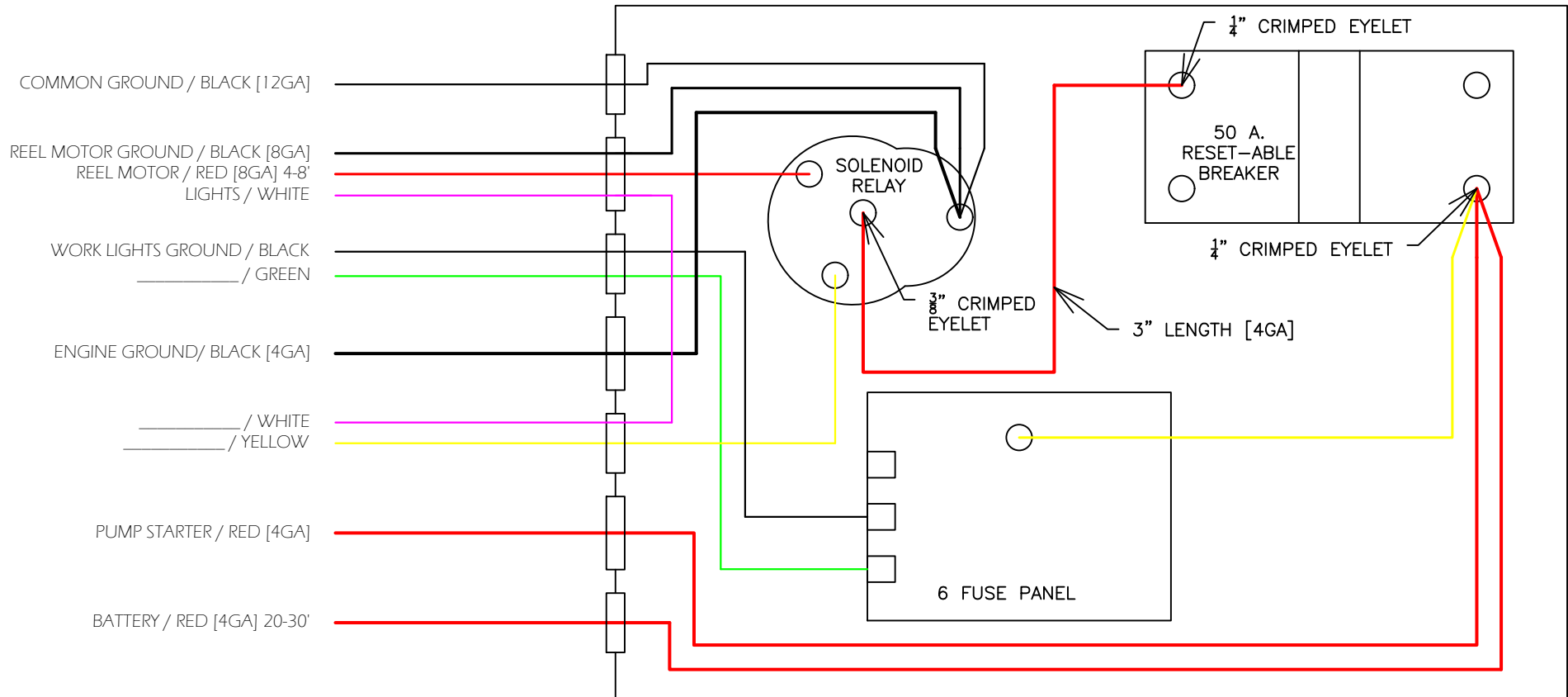


FLORIDA DEPARTMENT OF ENVIRONMENTAL PROTECTION

## FPS FIRE ENGINE

DRAWINGS & TECHNICAL SPECIFICATIONS



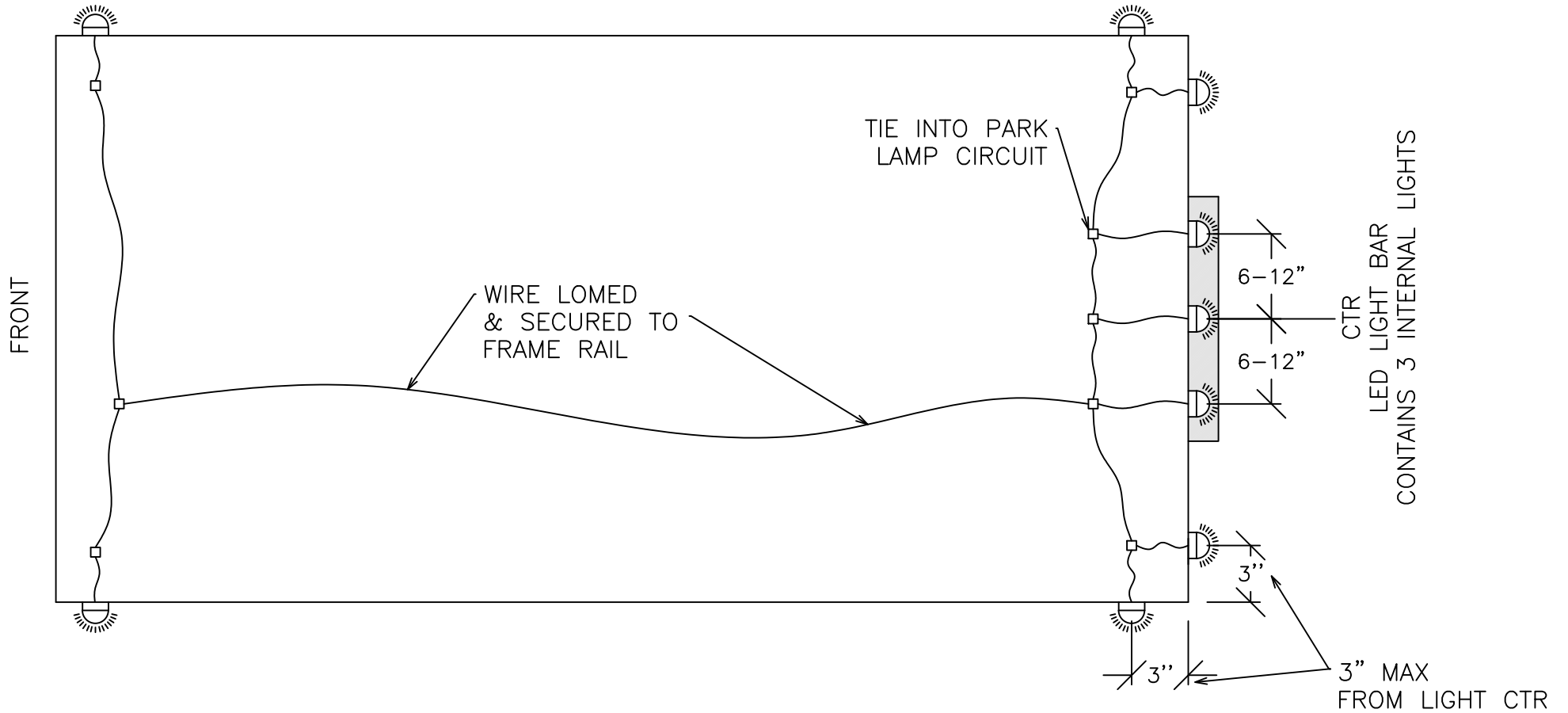


FLORIDA DEPARTMENT OF ENVIRONMENTAL PROTECTION

## FPS FIRE ENGINE

DRAWINGS & TECHNICAL SPECIFICATIONS

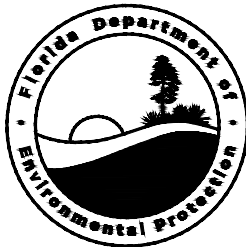
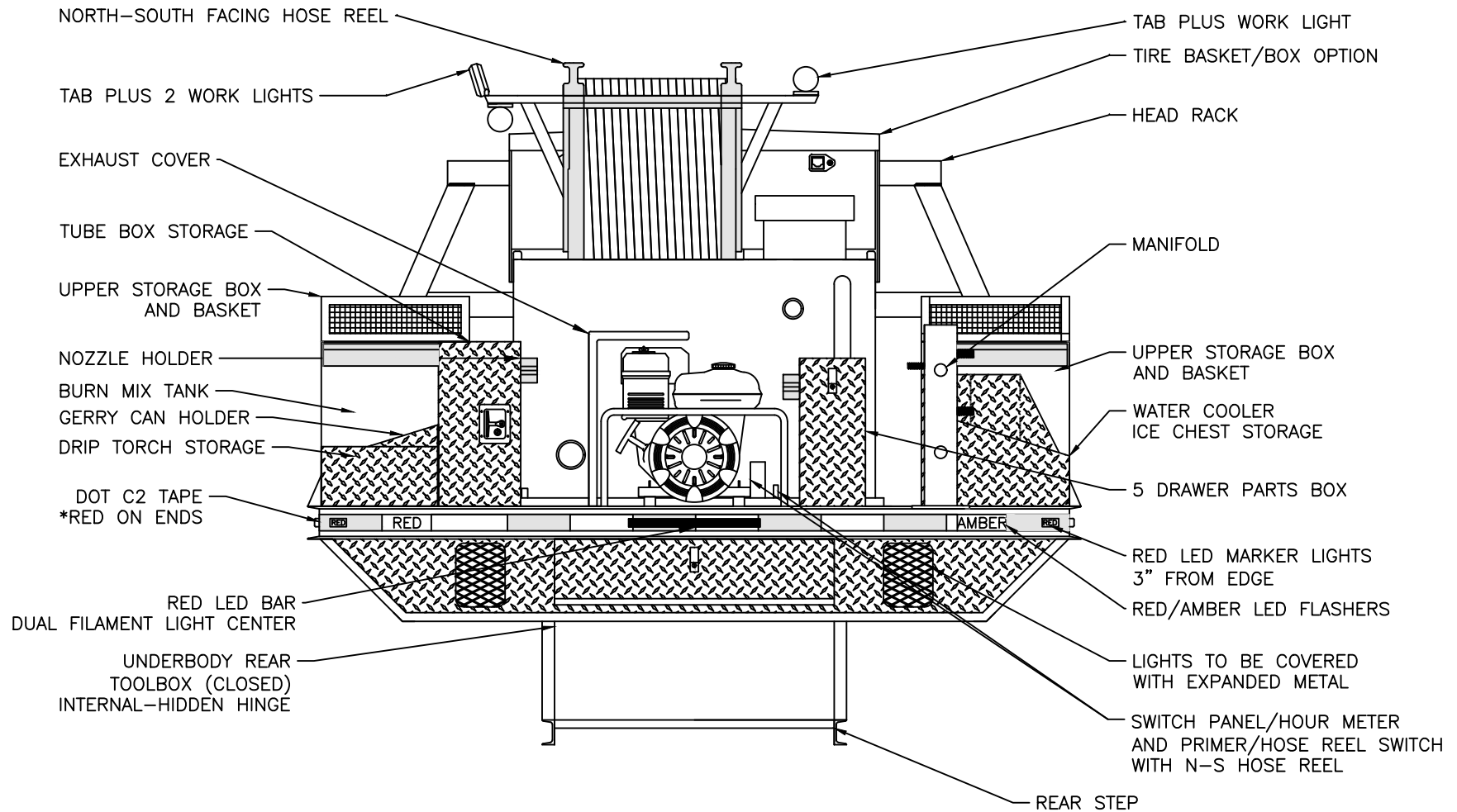




FLORIDA DEPARTMENT OF ENVIRONMENTAL PROTECTION

FPS FIRE ENGINE  
DRAWINGS & TECHNICAL SPECIFICATIONS



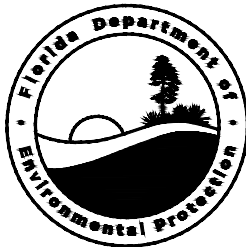
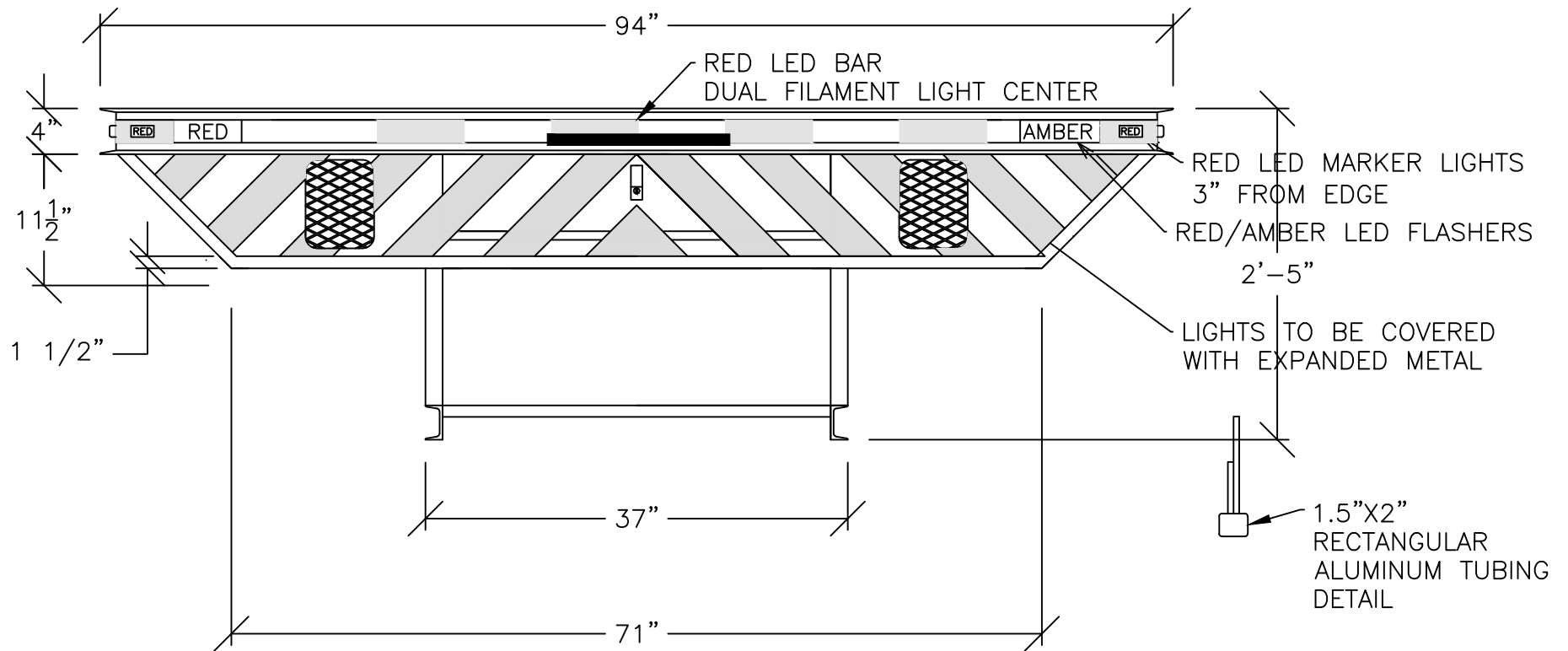


FLORIDA DEPARTMENT OF ENVIRONMENTAL PROTECTION

## FPS FIRE ENGINE

DRAWINGS & TECHNICAL SPECIFICATIONS

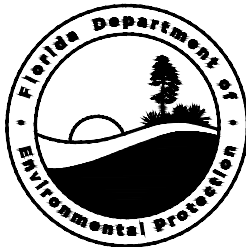
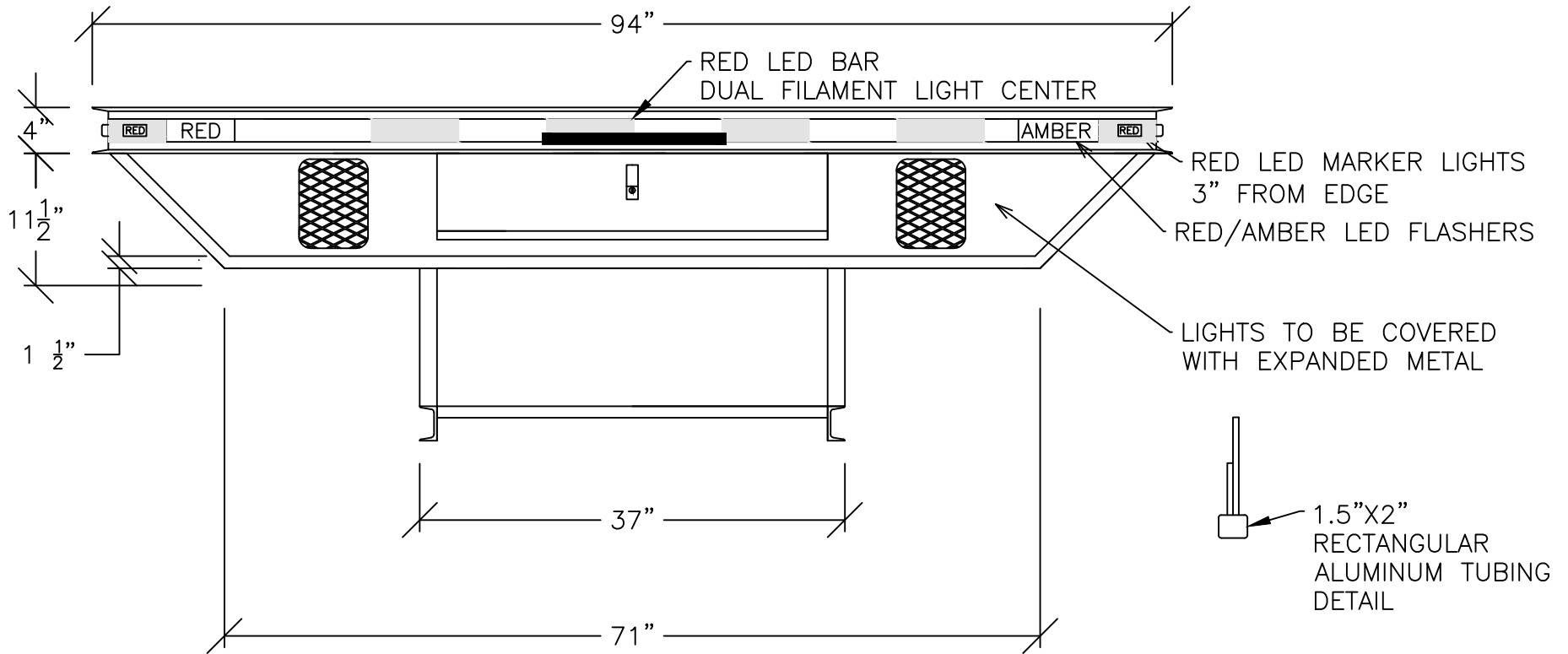




FLORIDA DEPARTMENT OF ENVIRONMENTAL PROTECTION

FPS FIRE ENGINE  
DRAWINGS & TECHNICAL SPECIFICATIONS



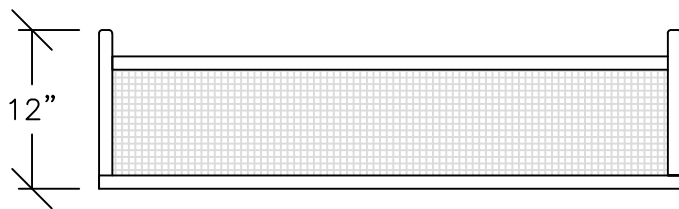
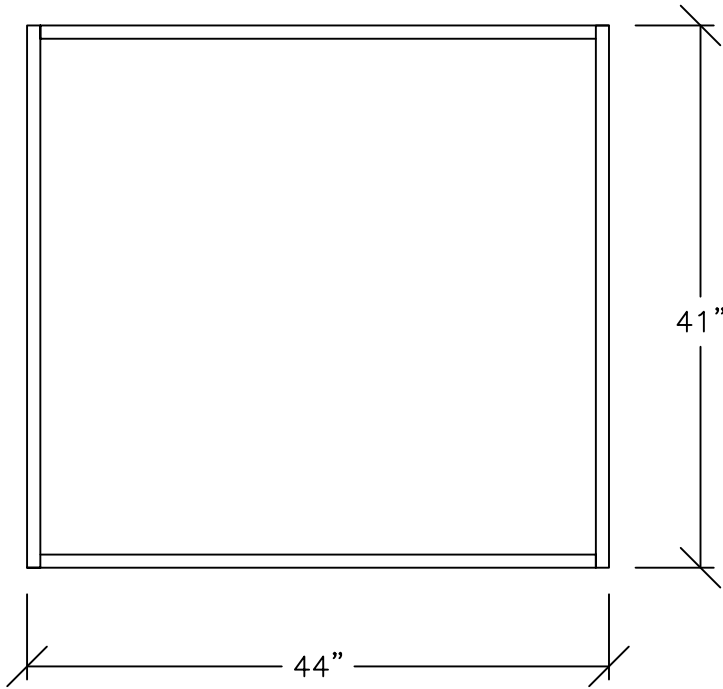


FLORIDA DEPARTMENT OF ENVIRONMENTAL PROTECTION

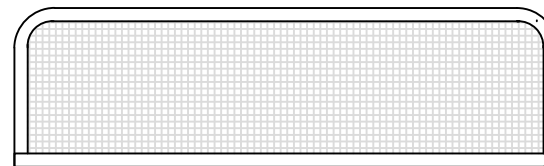
FPS FIRE ENGINE  
DRAWINGS & TECHNICAL SPECIFICATIONS







TAILGATE VIEW



DRIVER SIDE VIEW



FLORIDA DEPARTMENT OF ENVIRONMENTAL PROTECTION

FPS FIRE ENGINE  
DRAWINGS & TECHNICAL SPECIFICATIONS

