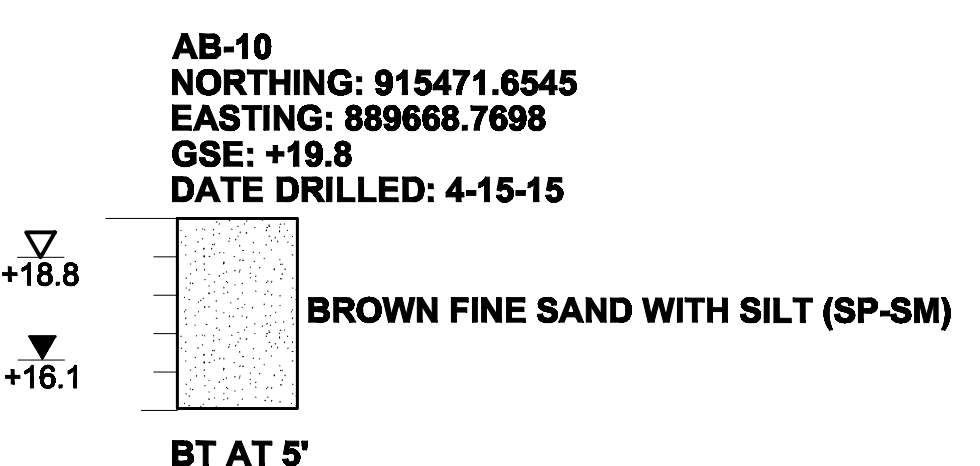
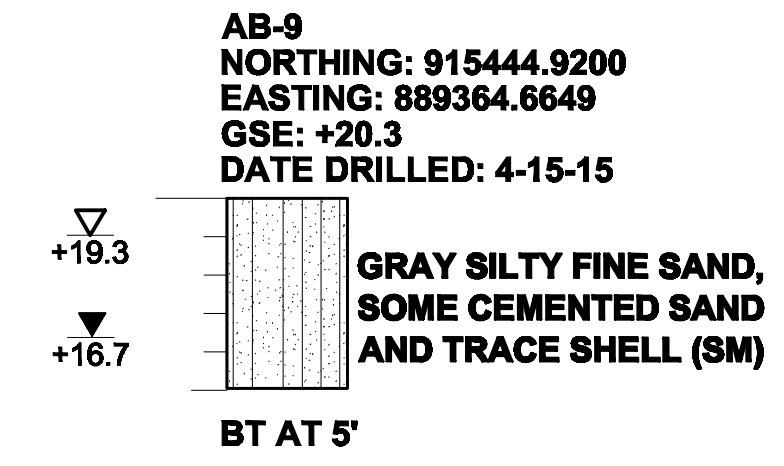
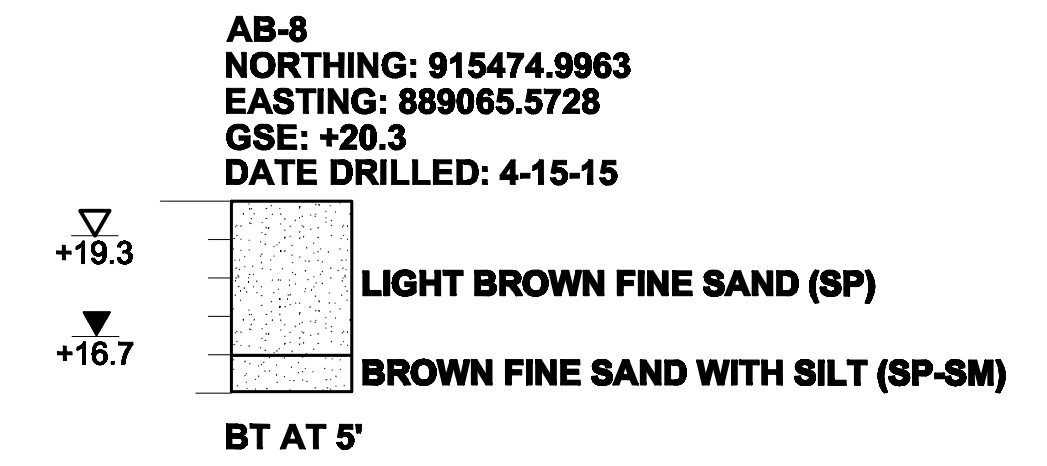
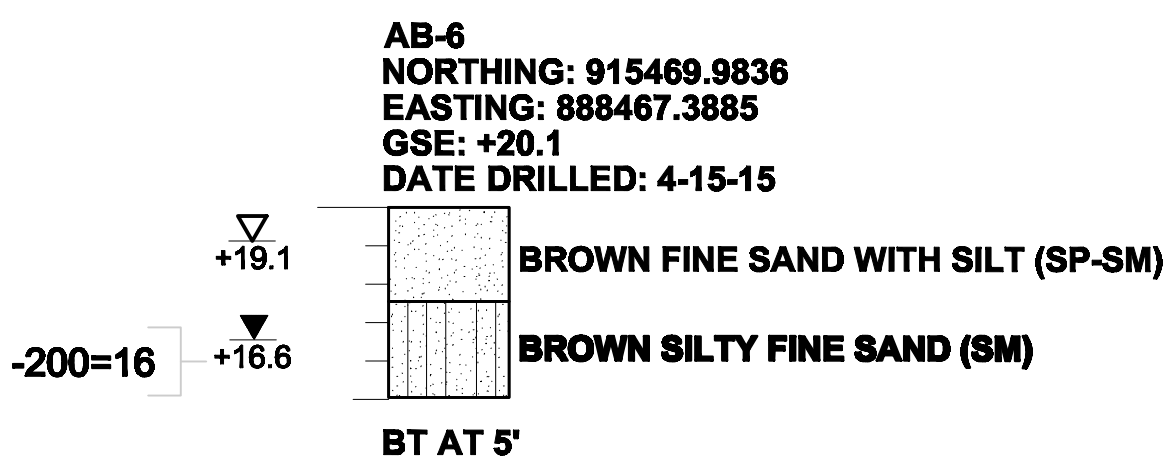
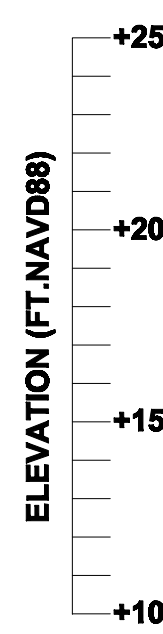
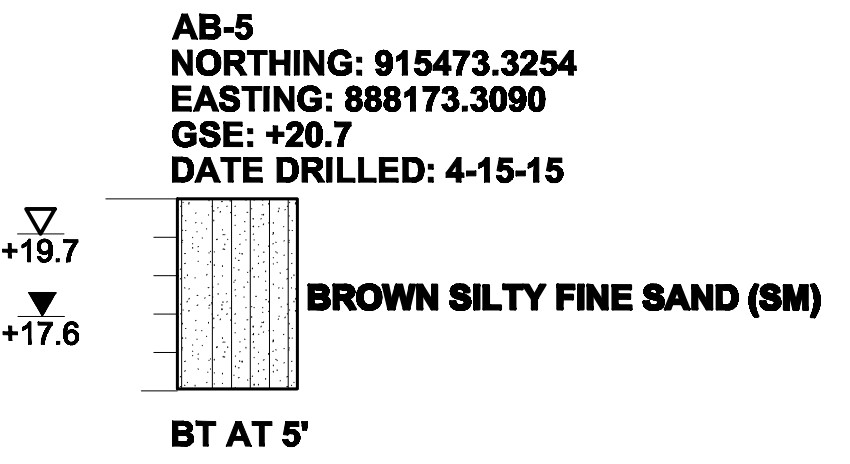
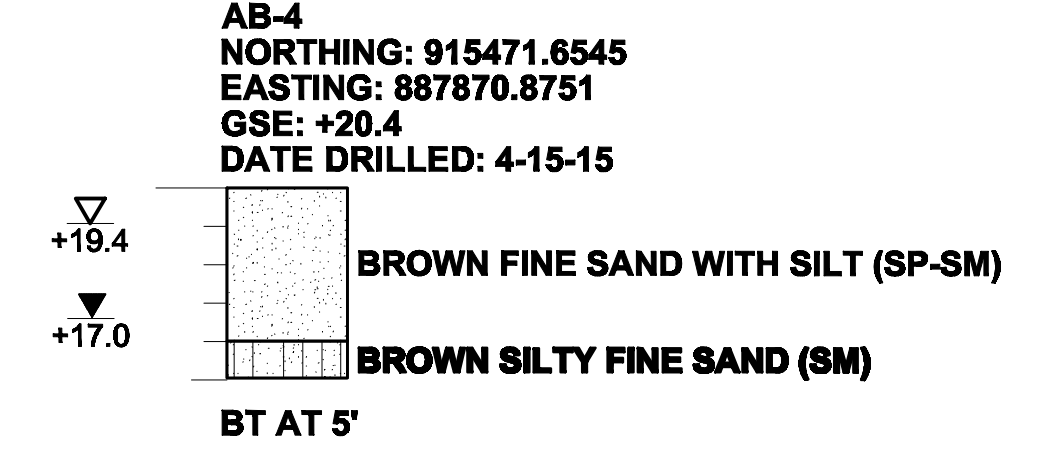
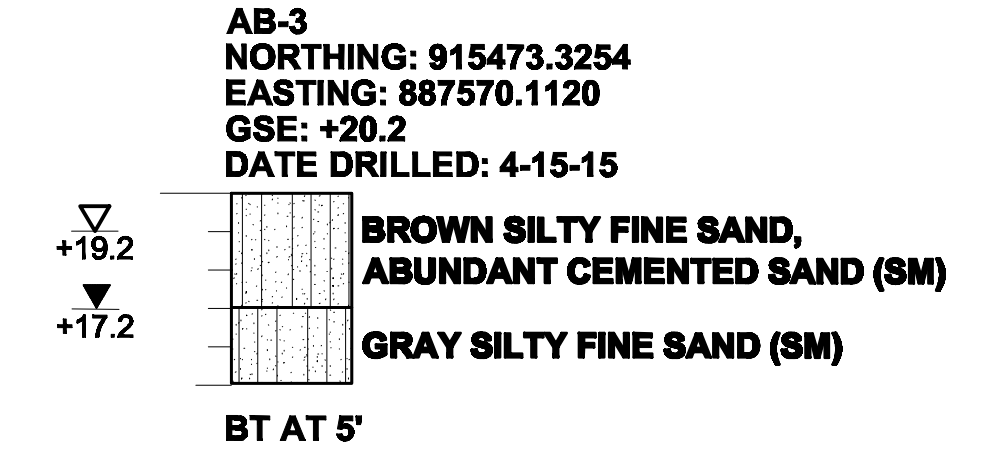
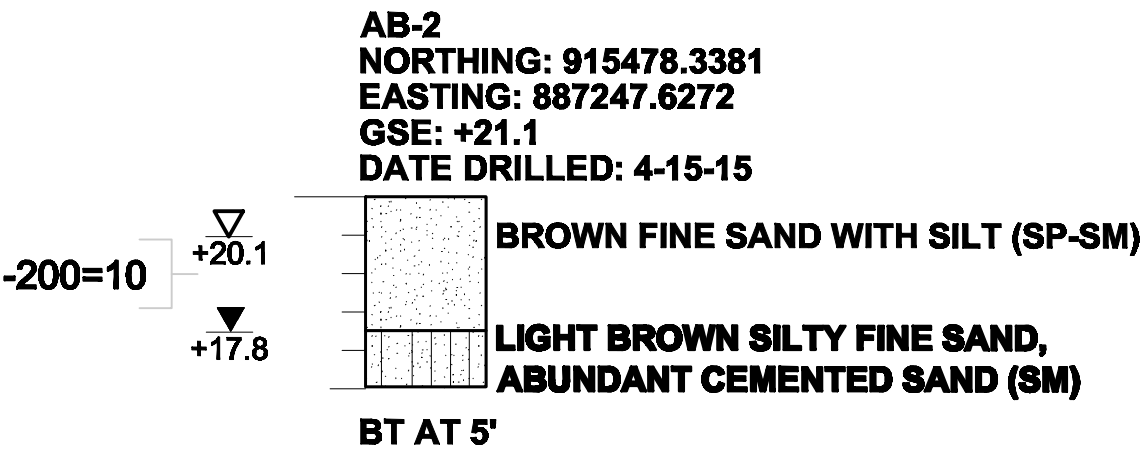
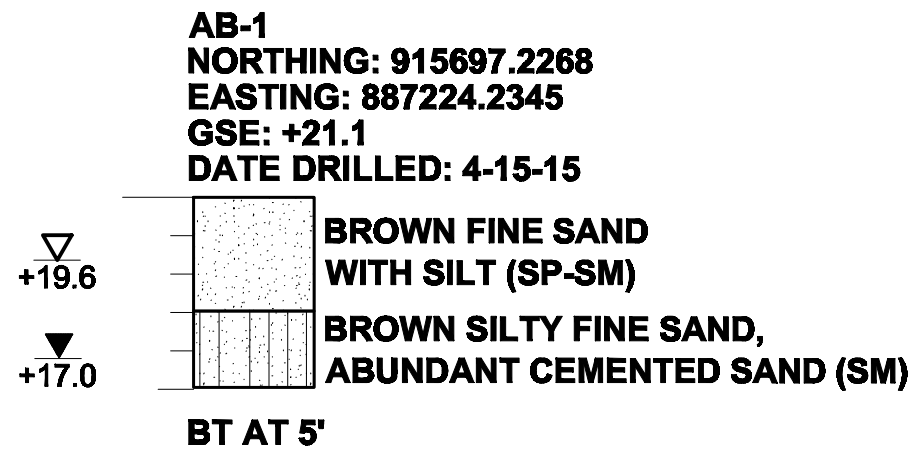
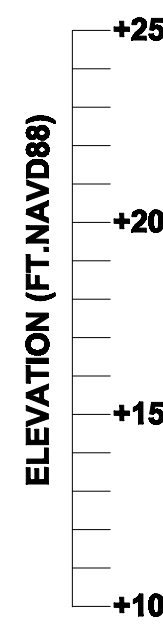
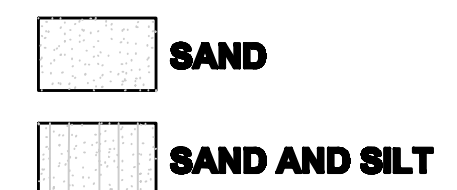


THIS DRAWING IS THE INSTRUMENT OF SERVICE AND PROPERTY OF C. VARGAS & ASSOCIATES, LTD. ANY USE OR REPRODUCTION WITHOUT EXPRESSED WRITTEN PERMISSION OF THIS CORPORATION IS PROHIBITED. ALL RIGHTS OF DESIGN AND INVENTION ARE EXPRESSLY RESERVED.



- LEGEND**
- GSE GROUND SURFACE ELEVATION (FT.NAVD88)
 - ▽ ESTIMATED SEASONAL HIGH GROUNDWATER ELEVATION (FT.NAVD88)
 - ▽+19.6
 - ▽+17.0 ENCOUNTERED GROUNDWATER ELEVATION (FT.NAVD88) 24 HRS. AFTER DATE DRILLED
 - BT **BORING TERMINATED AT DEPTH INDICATED**
 - 200= PERCENT PASSING NO. 200 U.S. STANDARD SIEVE



GENERAL NOTES

SUBSURFACE CONDITIONS SHOWN ON THE BORINGS REPRESENT THE CONDITIONS ENCOUNTERED AT THE BORING LOCATIONS. ACTUAL CONDITIONS BETWEEN THE BORINGS MAY VARY FROM THOSE SHOWN. UNIFIED SOIL CLASSIFICATIONS SHOWN ON THE BORINGS ARE BASED ON VISUAL EXAMINATION AND THE LABORATORY TESTING SHOWN.

THE BORING LOCATIONS WERE ESTABLISHED BY THE PROVIDED PROJECT PLANS AND WITH A SUB-METER ACCURACY GPS UNIT (TRIMBLE GEO 7X). THE GROUND SURFACE ELEVATIONS AT THE BORING LOCATIONS WERE INTERPOLATED BASED ON THE SPOT ELEVATIONS PROVIDED BY WANTMAN GROUP, INC.

GEOTECHNICAL AND ENVIRONMENTAL CONSULTANTS, INC.
 919 Lake Baldwin Lane
 Orlando, FL 32814
 T 407-898-1818 F 407-898-1837
 Certificate of Authorization No. 5882
 DANIEL C. STANFILL PE NO. 42763

PROJECT NO. 3747G
 DATE \$DATES\$
 DRAWN BY BMM
 CHECKED BY GPB
 CHECKED BY DCS 42763

AUGER BORING RESULTS
PALM BEACH COUNTY SPORTS COMPLEX

FIGURE NO.
7

G22

C. VARGAS & ASSOCIATES, LTD.
 CONSULTING ENGINEER
 8808 ARLINGTON EXPRESSWAY
 PALM BEACH, FL 33410
 PHONE 561-721-2254 FAX 561-721-2297
 CERT. OF AUTH. NO.00002278

DRAWN BY _____ CHECKED BY C. VARGAS DATE 02-10-17
 SUBMITTED BY _____ REG. ENGR. NO. 16297

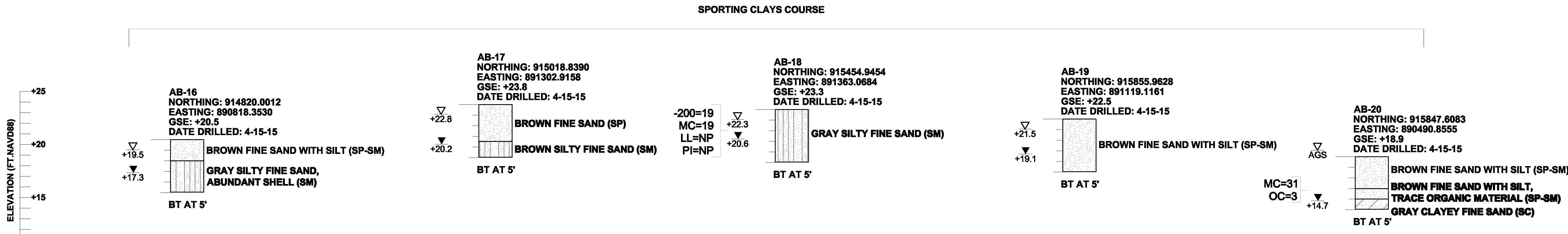
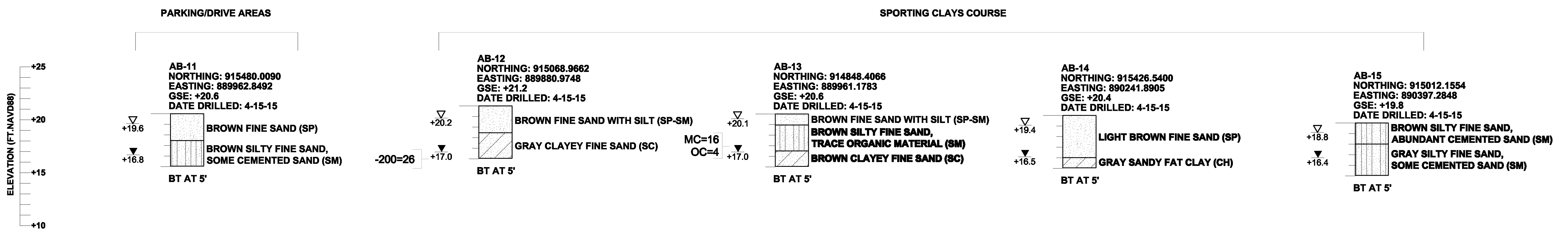
C.A.D.D. FILE
 PROJECT NO. 14023.04
 SHEET _____ OF _____

PHASE 2 CONSTRUCTION SET DATED 02-10-2017

PALM BEACH COUNTY SHOOTING AUGER BORING RESULTS
 SPORTS PARK

NO.	REVISION	DATE	BY

THIS DRAWING IS THE INSTRUMENT OF SERVICE AND PROPERTY OF C. VARGAS & ASSOCIATES, LTD. ANY USE OR REPRODUCTION WITHOUT EXPRESSED WRITTEN PERMISSION OF THIS CORPORATION IS PROHIBITED. ALL RIGHTS OF DESIGN AND INVENTION ARE EXPRESSLY RESERVED.



- LEGEND**
- GSE GROUND SURFACE ELEVATION (FT.NAVD88)
 - ▽ ESTIMATED SEASONAL HIGH GROUNDWATER ELEVATION (FT.NAVD88)
 - ▽ ENCOUNTERED GROUNDWATER ELEVATION (FT.NAVD88) 24 HRS. AFTER DATE DRILLED
 - BT BORING TERMINATED AT DEPTH INDICATED
 - 200= PERCENT PASSING NO. 200 U.S. STANDARD SIEVE
 - MC= PERCENT NATURAL MOISTURE CONTENT
 - LL= LIQUID LIMIT
 - PI= PLASTICITY INDEX
 - NP= NON-PLASTIC
 - OC= PERCENT ORGANIC CONTENT

- SAND
- SAND AND SILT
- SAND AND CLAY

GENERAL NOTES

SUBSURFACE CONDITIONS SHOWN ON THE BORINGS REPRESENT THE CONDITIONS ENCOUNTERED AT THE BORING LOCATIONS. ACTUAL CONDITIONS BETWEEN THE BORINGS MAY VARY FROM THOSE SHOWN. UNIFIED SOIL CLASSIFICATIONS SHOWN ON THE BORINGS ARE BASED ON VISUAL EXAMINATION AND THE LABORATORY TESTING SHOWN.

THE BORING LOCATIONS WERE ESTABLISHED BY THE PROVIDED PROJECT PLANS AND WITH A SUB-METER ACCURACY GPS UNIT (TRIMBLE GEO 7X). THE GROUND SURFACE ELEVATIONS AT THE BORING LOCATIONS WERE INTERPOLATED BASED ON THE SPOT ELEVATIONS PROVIDED BY WANTMAN GROUP, INC.

GEOTECHNICAL AND ENVIRONMENTAL CONSULTANTS, INC.
 919 Lake Baldwin Lane
 Orlando, FL 32814
 T 407-998-1818 F 407-899-1837
 Certificate of Authorization No. 5882
DANIEL C. STANFILL PE NO. 42763

PROJECT NO. 3747G
 DATE \$DATES\$
 DRAWN BY BMM
 CHECKED BY GPB
 CHECKED BY DCS 42763

**AUGER BORING RESULTS
 PALM BEACH COUNTY
 SPORTS COMPLEX**

**FIGURE NO.
 8**

G23

PHASE 2 CONSTRUCTION SET DATED 02-10-2017

	PALM BEACH COUNTY SHOOTING AUGER BORING RESULTS SPORTS PARK			
	FLORIDA WILDLIFE & NOISSEMITATION CONSERVATION			
C. VARGAS & ASSOCIATES, LTD. CONSULTING ENGINEERS 8808 ARLINGTON EXPRESSWAY PALM BEACH, FL 33410 PHONE 561-721-2254 FAX 561-721-2297 CERT. OF AUTH. NO.00002978	DRAWN BY _____ CHECKED BY C. VARGAS SUBMITTED BY _____ DATE 02-10-17	REG. ENGR. NO. 16297		
C.A.D.D. FILE				
PROJECT NO. 14023.04				
SHEET _____ OF _____				
DATE: _____	REVISION	DATE	BY	NO.