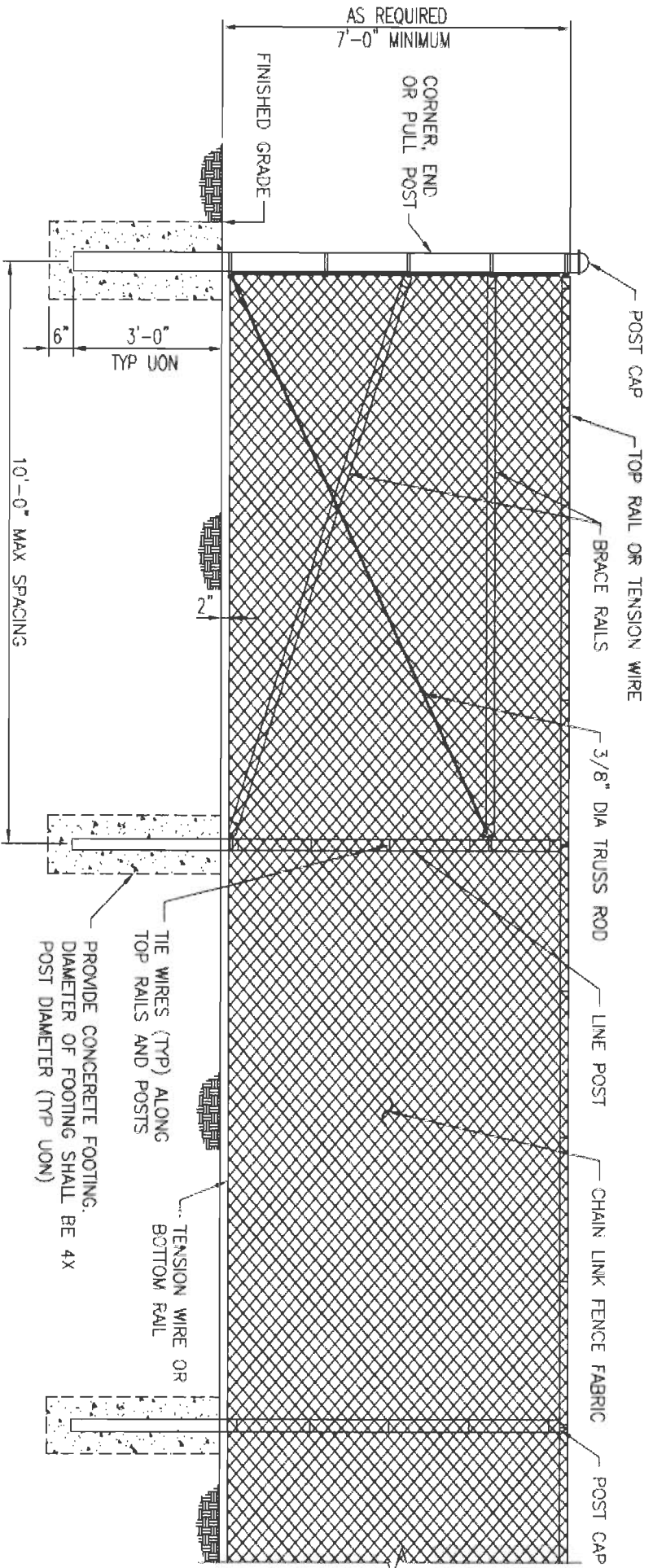
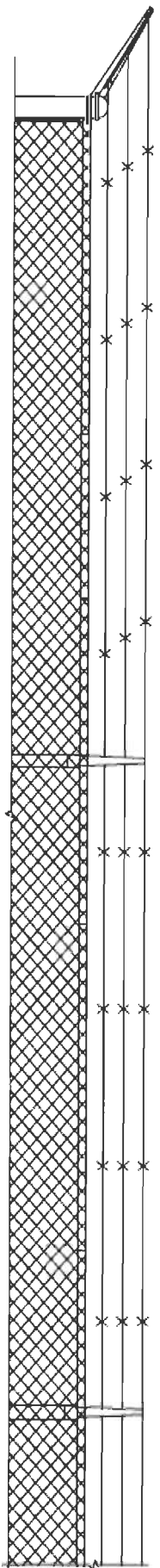


CHAIN-LINK FENCING AND DETAILS, UFC-700



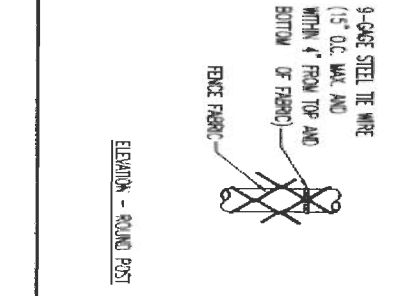
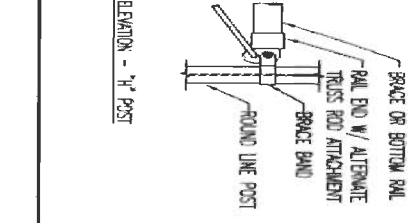
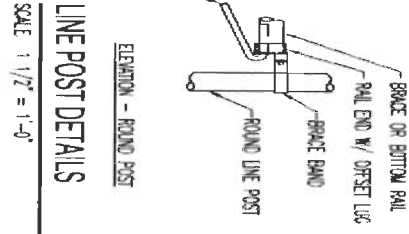
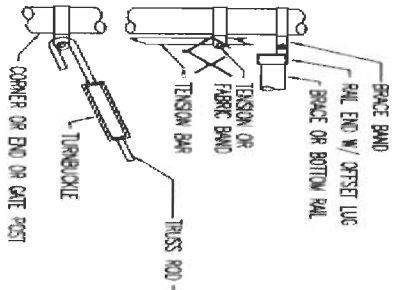
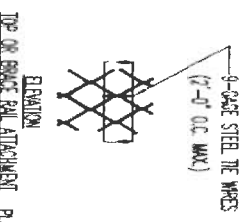
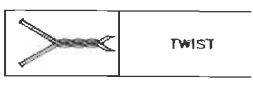
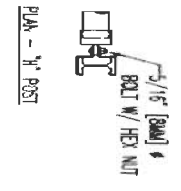
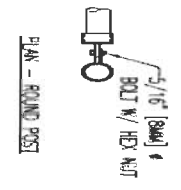
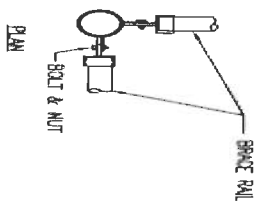
TYPICAL FENCE AND CORNER PANEL ELEVATION

SCALE: 1" = 1'-0"

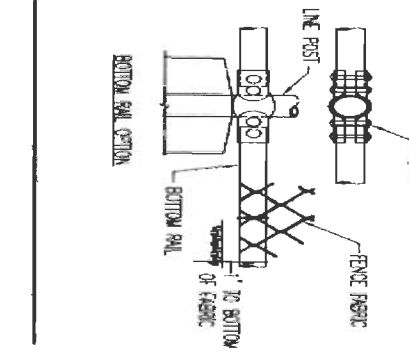
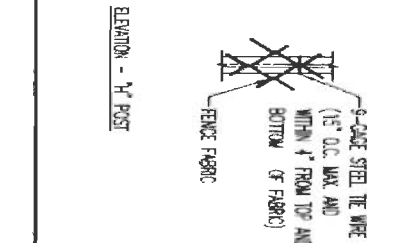


TYPICAL 3 STRAND BARBED WIRE AND SINGLE EXTENSION ARM CONFIGURATION

SCALE: 1" = 1'-0"



FITTINGS NOTES
1. METRIC DIMENSIONS ARE NOMINAL EQUIVALENTS TO U.S. DIMENSIONS.
2. ALL FITTINGS MATERIAL SHALL BE AS SPECIFIED



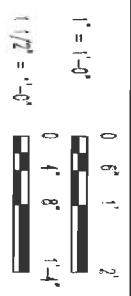
LINE POST DETAILS

SCALE: 1 1/2" = 1'-0"

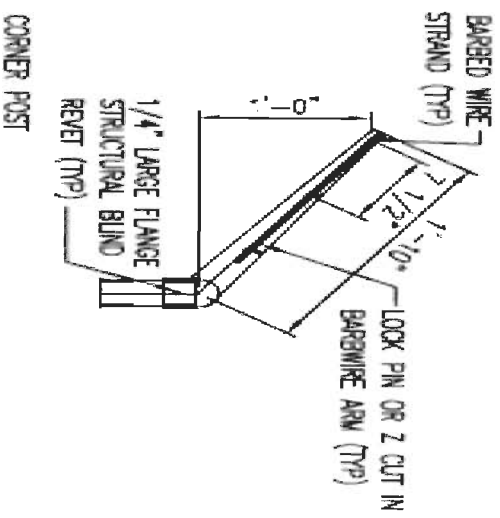
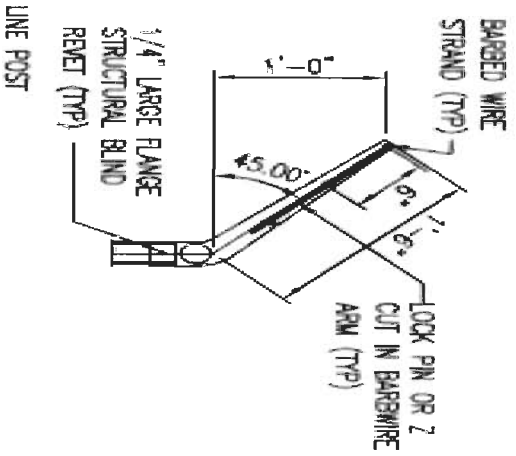
CORNER OR END POSTS

SCALE: 1 1/2" = 1'-0"

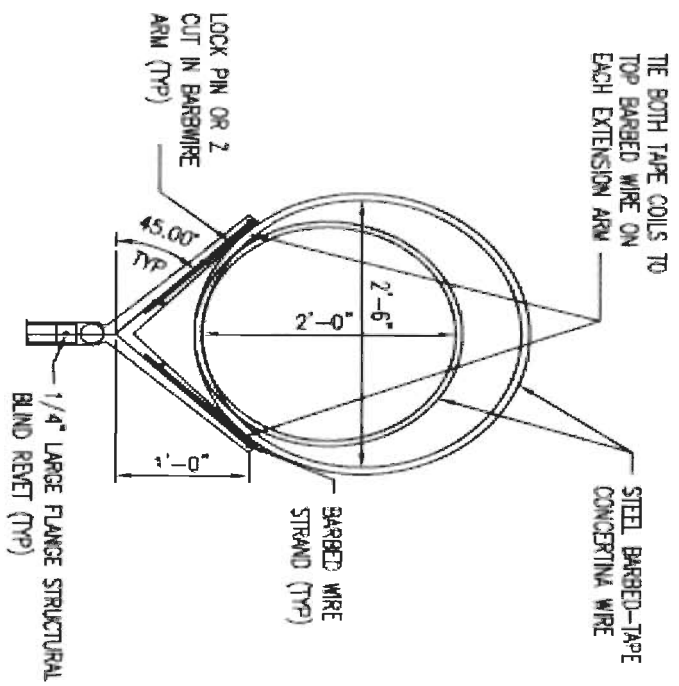
GRAPHIC SCALES



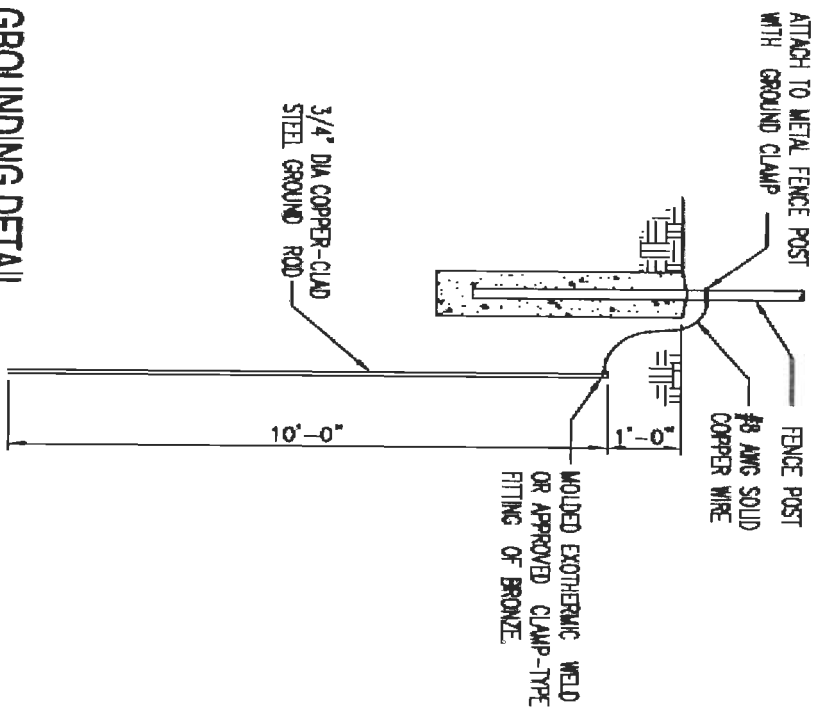
BARBED WIRE/ARRANGEMENT DETAILS, UFC-701



SINGLE EXTENSION ARM DETAILS
SCALE: 1" = 1'-0"



CONCERTINA WIRE MOUNTING
SCALE: 1" = 1'-0"



GROUNDING DETAIL

NO SCALE

CHAIN LINK FENCING NOTES

1. **FABRIC:** THE STANDARD FENCE FABRIC SHALL BE VINYL ZINC OR ALUMINUM-COATED STEEL WIRE CHAIN LINK WITH MESH OPENINGS NOT LARGER THAN TWO INCHES PER SIDE AND A TWISTED AND BARBED SELWAGE AT TOP AND BOTTOM IN ACCORDANCE WITH THE SPECIFICATIONS. UTILIZE 6-GAUGE FOR BASE PERIMETER OR HEIGHTENED SECURITY ZONES AND 9-GAUGE FOR BASE INTERIOR OR WHEN JOINING AN EXISTING FENCE WHICH IS ALREADY 9-GAUGE.
2. **FABRIC TIES:** ONLY 12-GAUGE STEEL TIES SHALL BE USED. COATING OR PLATING WILL BE ELECTROLYTICALLY COMPATIBLE WITH THE FENCE FABRIC TO INHIBIT CORROSION.
3. **REINFORCEMENT:** TENSION WIRES SHALL BE INSTALLED AND INTERWOVEN (OR AFFIXED WITH FABRIC TIES) ALONG THE TOP & BOTTOM OF THE FENCE FOR STABILIZATION OF THE FENCE FABRIC.
4. **FENCE HEIGHT:** CHAIN LINK FABRIC SHALL BE 7' HIGH WITH AN ADDITIONAL 1' IN HEIGHT COMPOSED OF 3 STRANDS OF BARBED WIRE AS REQUIRED. THE TOTAL FENCE HEIGHT SHALL BE 8'.
5. **GROUND CLEARANCE:** BOTTOM OF THE FENCE FABRIC SHALL BE WITHIN TWO INCHES OF FIRM SOIL.
6. **TOP GUARDS:** A TOP GUARD IS AN OVERHANG OF BARBED WIRE ALONG THE TOP OF A FENCE, FACING OUTWARD (AWAY FROM PROTECTED SITE) AND UPWARD AT APPROX. 45 ANGLE. TOP GUARD SUPPORTING ARMS WILL BE PERMANENTLY AFFIXED TO THE TOP OF FENCE POSTS TO INCREASE THE OVERALL HEIGHT OF THE FENCE AT LEAST 1 FOOT. THREE STRANDS OF 12-GAUGE BARBED WIRE, EQUALLY SPACED, SHALL BE INSTALLED ON THE SUPPORTING ARMS.
7. **FENCE POSTS:** SHALL BE ASTM F1043 OR F1083 ROUND PIPE OR SQUARE TUBE AND SHALL BE GALVANIZED IN ACCORDANCE WITH THE SPECIFICATIONS. FENCE POST SPACING AND SIZE (DIAMETER) SHALL BE DETERMINED IN ACCORDANCE WITH CHAIN LINK FENCE MANUFACTURERS' INSTITUTE (MILG 2445). SPACING SHALL NOT EXCEED 10'-0" O.C. SIZE (DIAMETER) SHALL NOT BE LESS THAN THAT SPECIFIED.

GRAPHIC SCALES

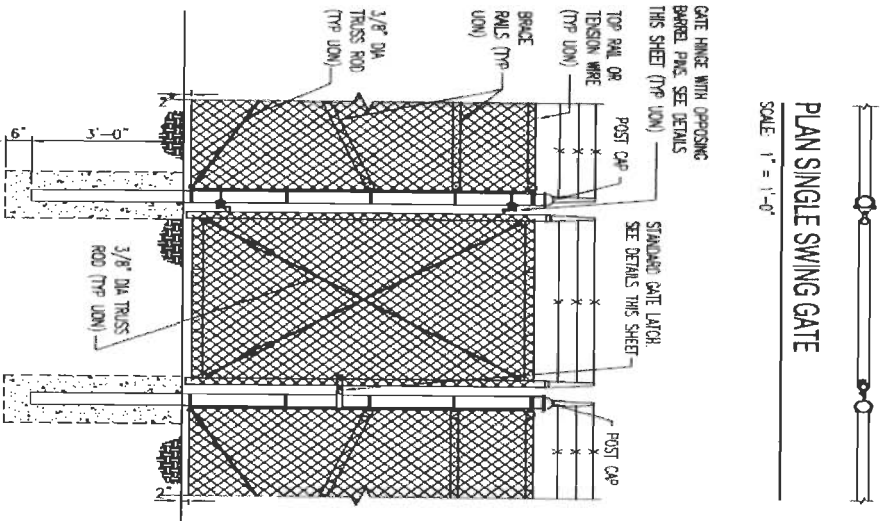
1" = 1'-0"



SINGLE SWING WALKING GATE, UFC-702

PLAN SINGLE SWING GATE

SCALE: 1" = 1'-0"



TYPICAL FENCE SINGLE SWING GATE ELEVATION

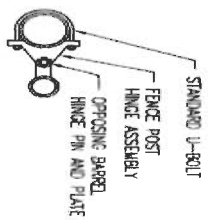
SCALE: 1/2" = 1'-0"

SINGLE OR DOUBLE LEAF GATES			
NOM HEIGHT (H)	UPRIGHT HT (U)	FRAME HT (F)	
NOM HT INCLUDING BARBED WIRE	ACTUAL DIM	ACTUAL DIM	
8'-0" (2439MM)	7'-10" (2389MM)	6'-8 1/2" (2045MM)	

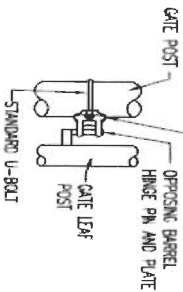
SINGLE LEAF GATES			
OPENING	GATE POSTS	HINGE SPACE (S)	
FACE TO FACE	SQUARE & ROUND SIZES	POST TO UPRIGHT	
3'-0" (914MM)	2.5"(63.5MM) SQ x 3/16" TH	FOR SQUARE & ROUND GATE POSTS	
6'-0" (1829MM)	2.875" (73MM) OD	2 1/4" (57MM)	
6'-0" (1829MM)	4" (102MM) SQ x 3/16" TH	FOR SQUARE & ROUND GATE POSTS	
12'-0" (3657MM)	4" (102MM) OD	2 1/4" (57MM)	
12'-0" (3657MM)	6" (152MM) SQ x 3/16" TH	FOR SQUARE & ROUND GATE POSTS	
19'-0" (5791MM)	6.625" (168MM) OD	2 1/4" (57MM)	
19'-0" (5791MM)	8" (203MM) SQ x 1/4" TH	FOR SQUARE & ROUND GATE POSTS	
23'-0" (7010MM)	8.625" (219MM) OD	2 1/4" (57MM)	

GATE POSTS & FOUNDATIONS: GATE POST SIZE AND ASSOCIATED FOOTING DIAMETER TO BE DETERMINED BY MANUFACTURER, BASED ON LEAF WEIGHT & DIMENSION, BUT NOT LESS THAN DIAMETER SHOWN ON THESE DRAWINGS. MINIMUM FOOTING DIAMETERS TO BE FILLED W/4000 PSI CONC.; 4" & FOR 8" POST; 36" & FOR 6" POST; 24" & FOR 4" POST; OTHER SIZES TO BE DESIGNED BY A/E/R OR K/E. NO FOOTING WIDTH SHALL BE LESS THAN 4(X) THE POST WIDTH.

NOTE: IF GATE HINGES ARE NOT OPERATING (AS SHOWN ABOVE) OR LEAF IS NOT LOCKED MECHANICALLY TO THE HINGES, WELD AN ANGLE PLATE OR BLOCK ABOVE HINGE TO RESTRICT LEAF FROM BEING REINFORCED OR LIFTED OFF. RESTRICTION SHALL NOT HINDER OPERATION OF GATE.

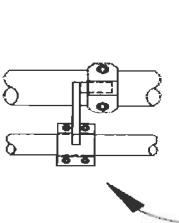
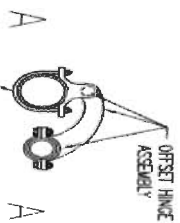


(*)NOTE: WELD HINGES TO POST IF INSTALLING CABLE REINFORCEMENT ON GATES. ENSURE CORRECT HEIGHT FOR FULL OPERATION PRIOR TO WELDING (TYPICAL).



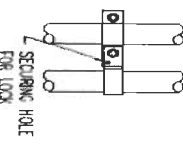
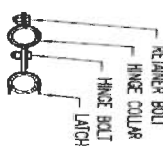
GATE HINGE DETAIL

SCALE: 1 1/2" = 1'-0"



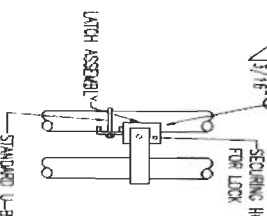
OFFSET HINGE DETAIL

SCALE: 1 1/2" = 1'-0"



GATE LATCH DETAIL

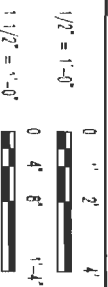
SCALE: 1 1/2" = 1'-0"



FULCRUM LATCH DETAIL

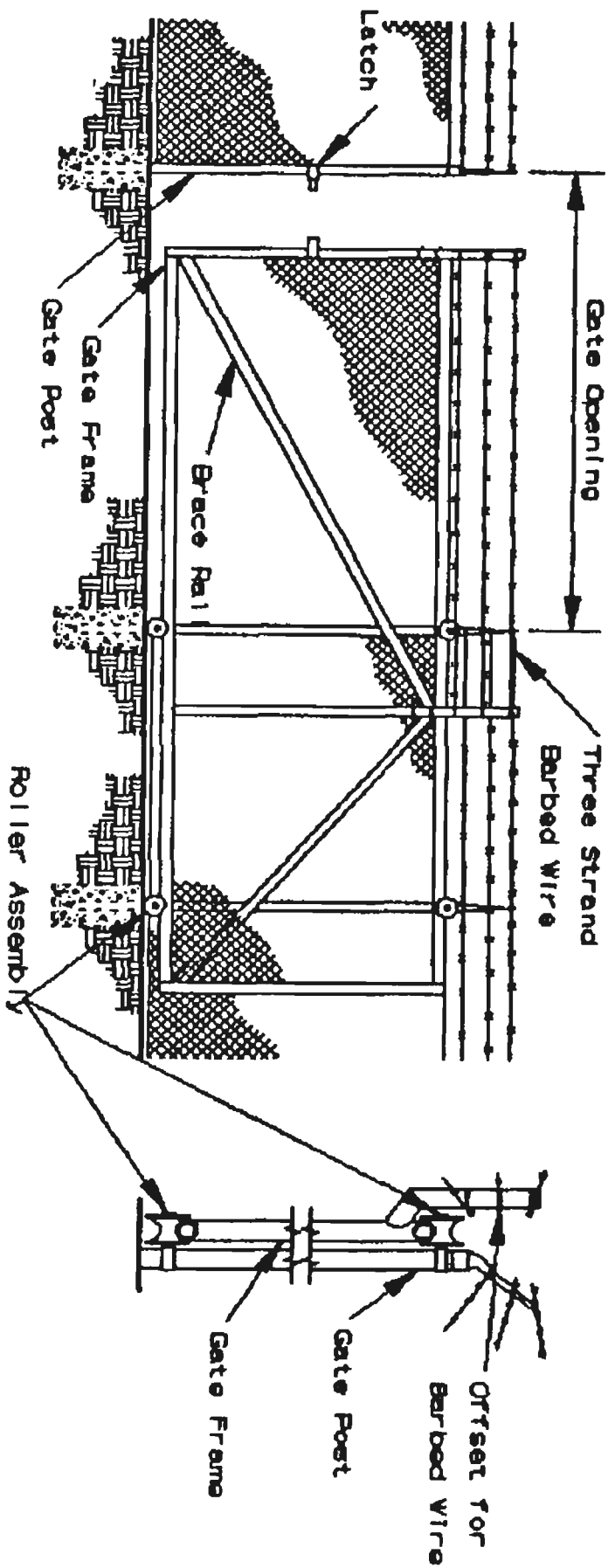
SCALE: 1 1/2" = 1'-0"

GRAPHIC SCALES



Design single swing gates to match fence fabric height, with an additional 1 ft (305 mm) of three strand barbed wire added to the height if barb wire is part of the fence structure. The gate opening should not exceed a width of 14 ft (4.3 m).

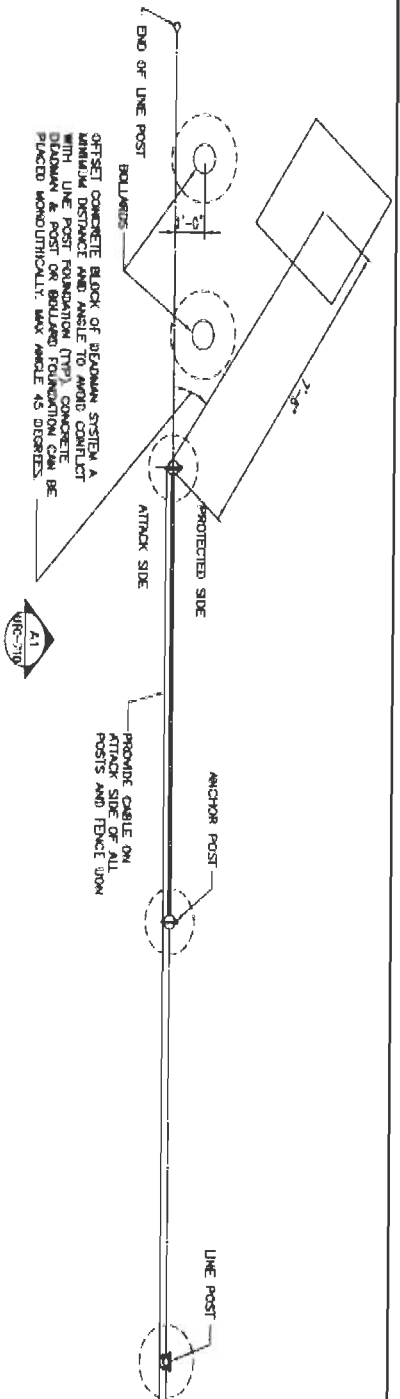
CANTILEVER SLIDING GATE (continued), UFC-703



GATE POST FOUNDATIONS

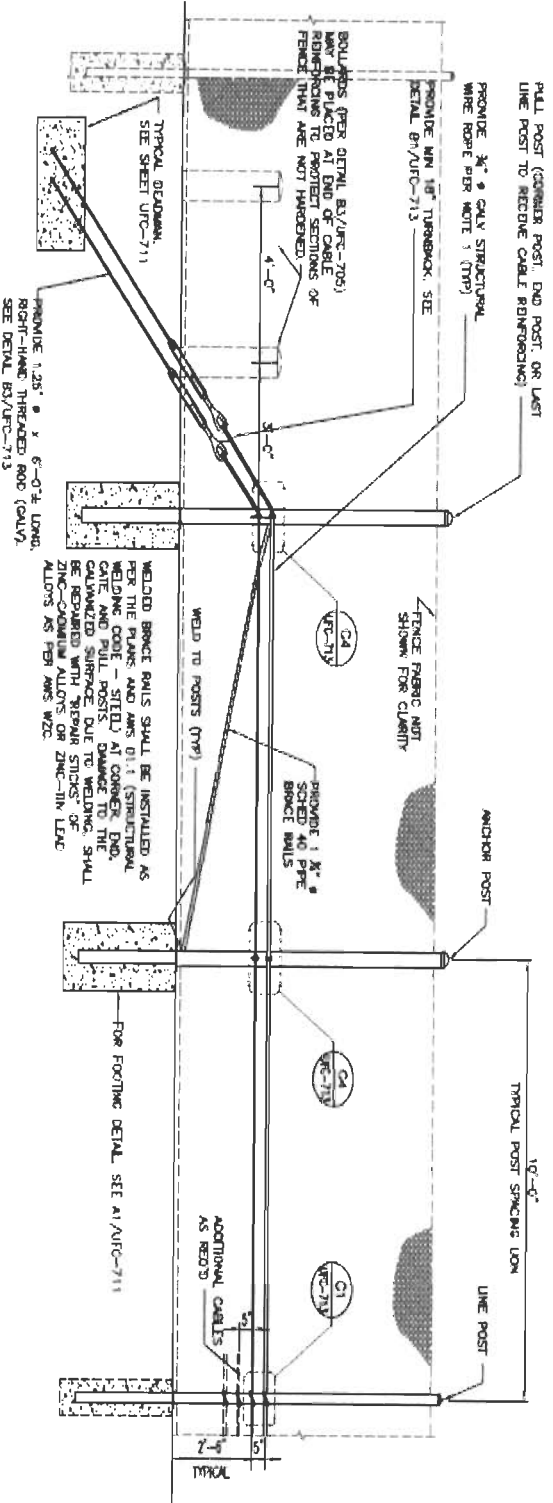
Steel Post Diameter	Foundation Hole Diameter	Gate Leaf Length
2.875 in (73 mm)	18 in (450 mm)	0 - 6 ft (0 - 1.8 m)
4.000 in (101.6 mm)	24 in (609.6 mm)	6 - 12 ft (1.8 - 3.7 m)
6.625 in (168.3 mm)	36 in (914.4 mm)	12 - 18 ft (3.7 - 5.5 m)
8.625 in (219 mm)	40 in (1016 mm)	18 - 24 ft (5.5 - 7.3 m)

CABLE REINFORCED CHAIN-LINK FENCE DETAILS (ANTI-RAMMING CABLES) UFC-710



TYPICAL PLAN OF END POST DEADMAN AND LINE POST LAYOUT
SCALE 1/2" = 1'-0"

NOTE: FOR RETIGHTING OF EXIST. C.F. CABLE CAN BE PLACED ON THE ATTACK SIDE OF THE FENCE. FOR NEW CONSTRUCTION, CABLE SHALL BE INSTALLED ON ATTACK SIDE OF POST. BLENDED POST AND FENCE.



TYPICAL ELEVATION OF END POST DEADMAN AND LINE POST LAYOUT
SCALE 1/2" = 1'-0"

LAYOUT OF REINFORCING

DESIGNER OF RECORD TO LOCATE DEADMAN ON SITE PLANS, SHOWING SPACING OF DEADMAN, OVERLAPS, AND FENCE CORNERS. THE DEADMAN SYSTEM IS DESIGNED TO HAVE TIGHTENING ON EITHER SIDE OF A DEADMAN TO OPERATE THE DEADMAN SYSTEM INDEPENDENTLY (NOT UTILIZING THE SAME DEADMAN SYSTEM). THEREFORE DEADMAN SHOULD BE PLACED IN THE MIDDLE TO ANCHOR THE GATE REINFORCING FOR EACH SIDE OF THE ROAD. IF THERE IS NO PHYSICAL DEADMAN (MERELY PAINTED LINES), LIMITED ROAD OR UTILITY CONFLICTS THAT DO NOT ALLOW FOR DEADMAN PLACEMENT BETWEEN THE LINES, DESURE THAT THE DEADMAN SYSTEM IS PLACED BETWEEN THE LINES, EITHER DIRECTLY OR VIA AN INTERMEDIATE CABLE WHICH CREATES AN INTERVAL CABLE SYSTEM ACROSS THE ENTIRE GATE AREA.

MODIFICATIONS TO TYPICAL DESIGN

NOTE: FOR CUSTOMER: IF LARGER DESIGN THREATS OR CUSTOMER REQUESTS INDICATE A NEED FOR GREATER SECURITY, MORE 3/4" # 9 CABLES CAN BE UTILIZED OR THE CABLES CAN BE UPGRADED TO 1" # 9. BOTH SCENARIOS REQUIRE THE DEADMAN (WHICH WILL NEED TO BE LARGER) TO BE DESIGNED BY A PROFESSIONAL ENGINEER TO SATISFY THE CRITERIA OUTLINED IN REAR NOTE 18 ON THIS SHEET. FOR DESIGNER: IN SOME CASES, THE COST FOR ADDITIONAL DEADMAN AND NEW CONCRETE PER SQUARE FOOT:

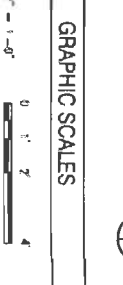
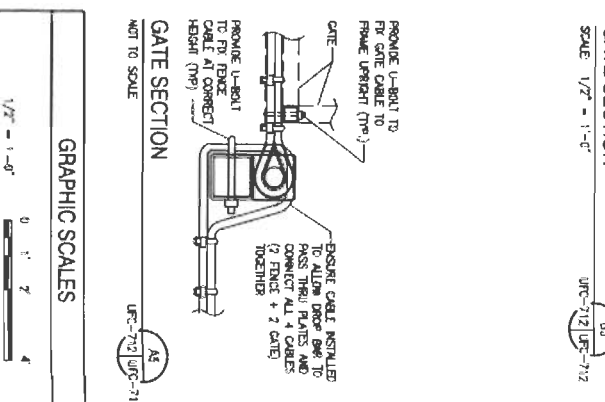
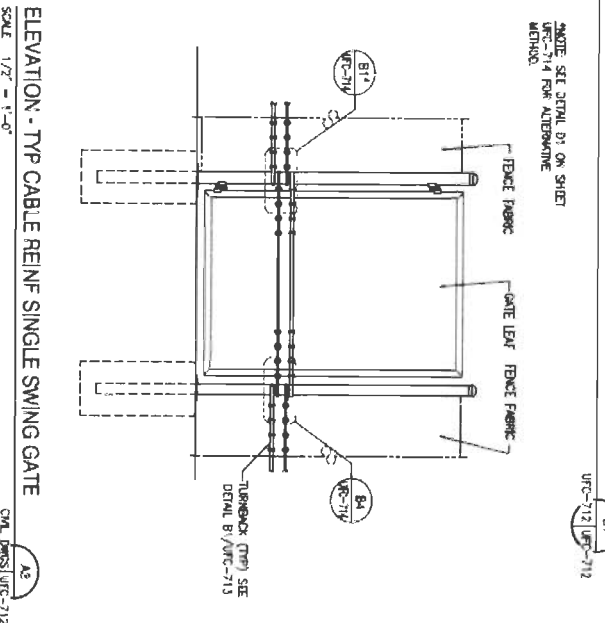
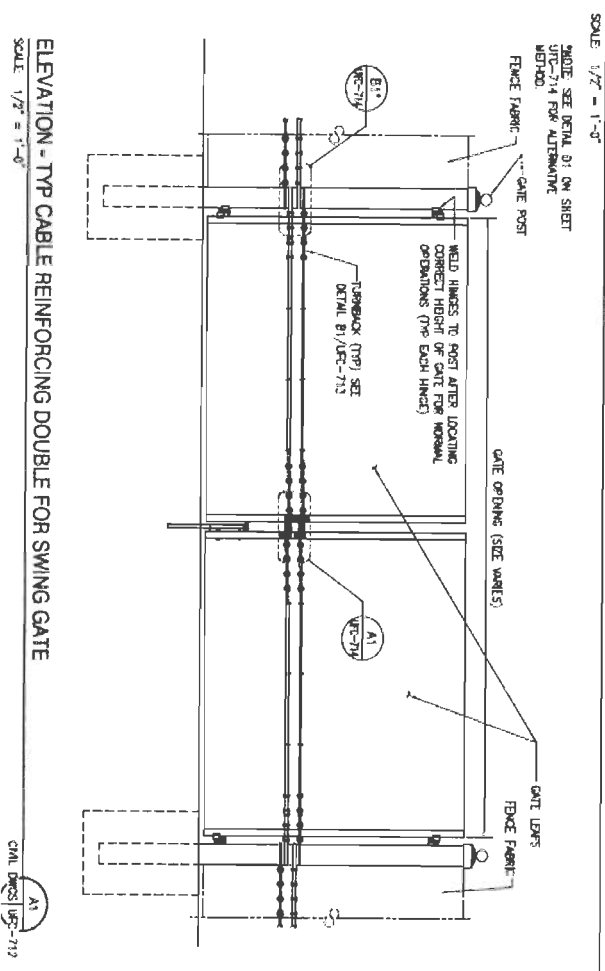
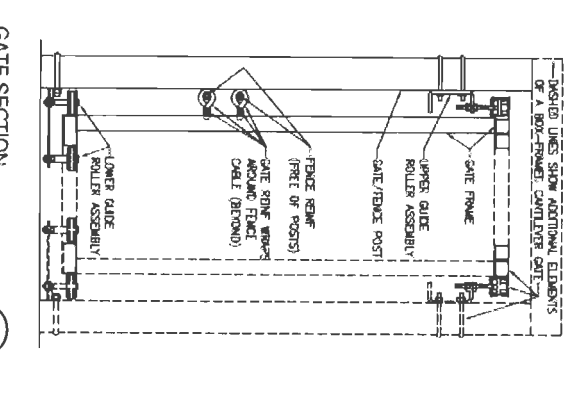
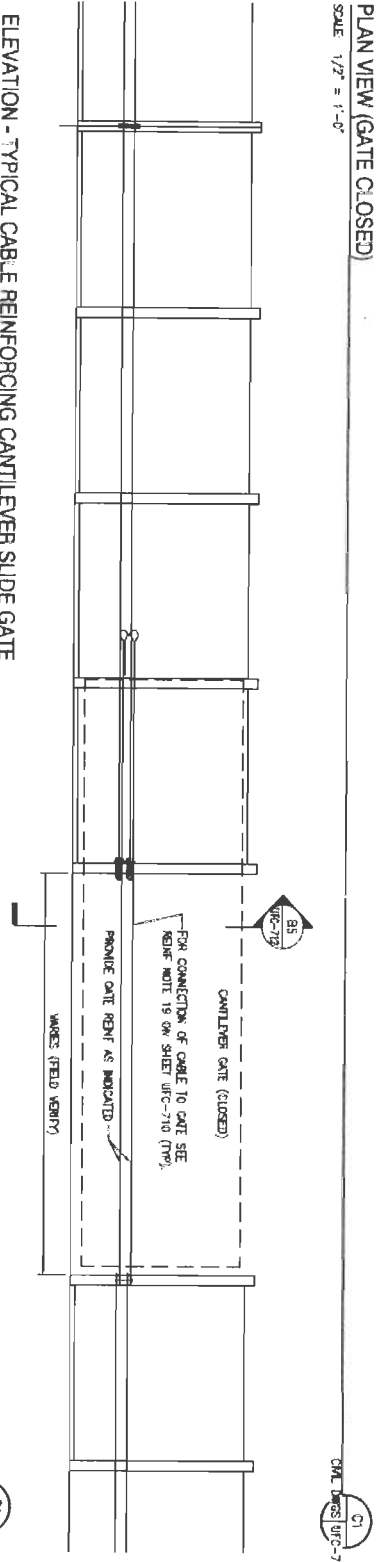
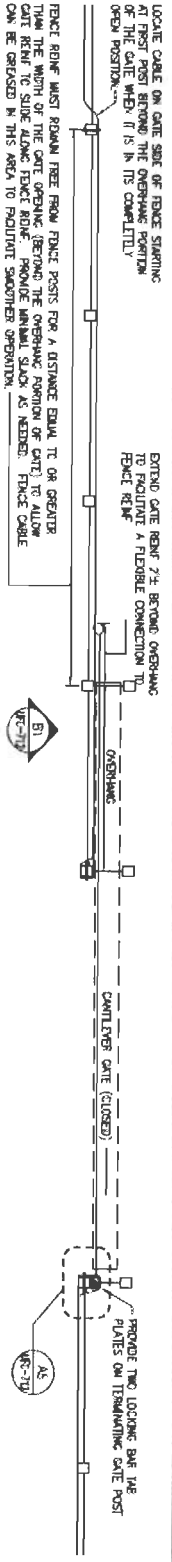
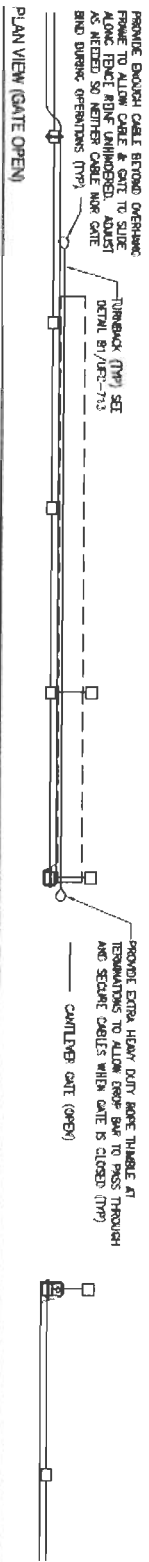
IF 1" # 9 CABLE IS USED, SPECIFICATIONS SHALL MATCH REAR NOTE 1 ON THIS SHEET, EXCEPT THE CABLE SHALL HAVE A MINIMUM BREAKING STRENGTH OF 70,000 POUNDS (35 TONS). OTHER COMPONENTS, SUCH AS EYEBOULTS, U-BOLTS, NOTE CITED, BRACE RAILS, AND OTHER ASSOCIATED HARDWARE SHALL BE SIZED ACCORDINGLY.

GRAPHIC SCALES

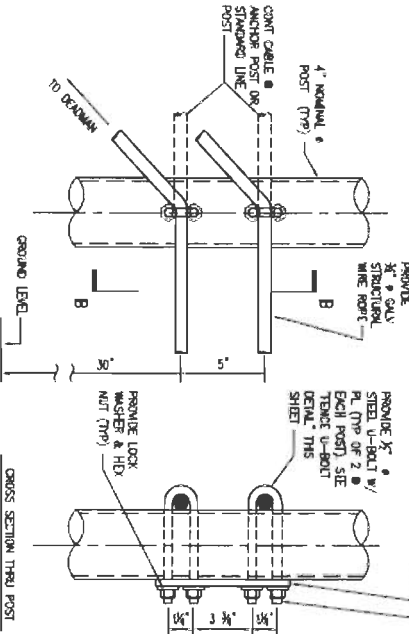
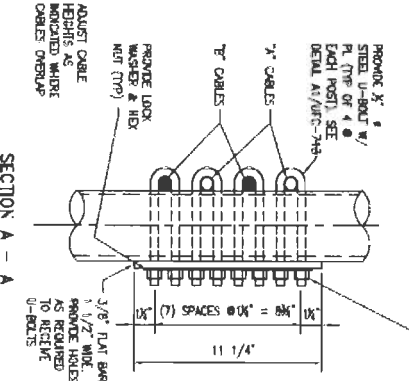
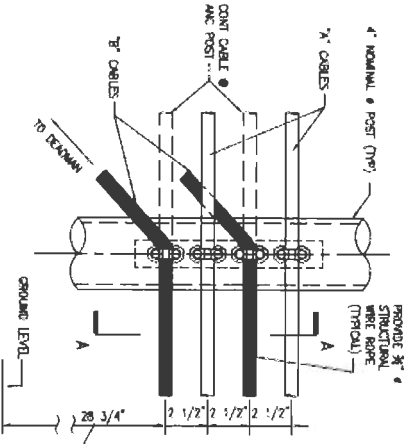
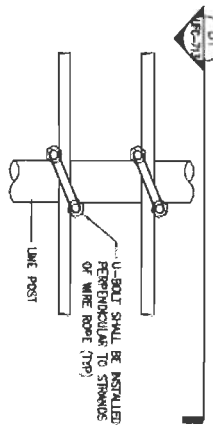
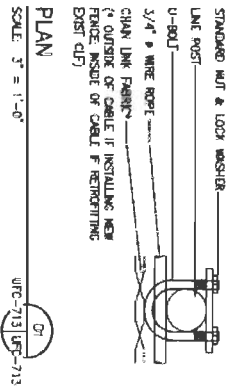


A1
UFC-710
UFC-710

TYPICAL CABLE REINF CHAIN-LINK FENCE - GATES (ANTI-RAMMING CABLES), UFC-712



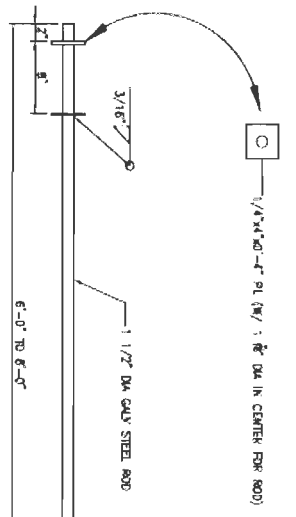
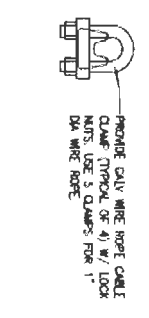
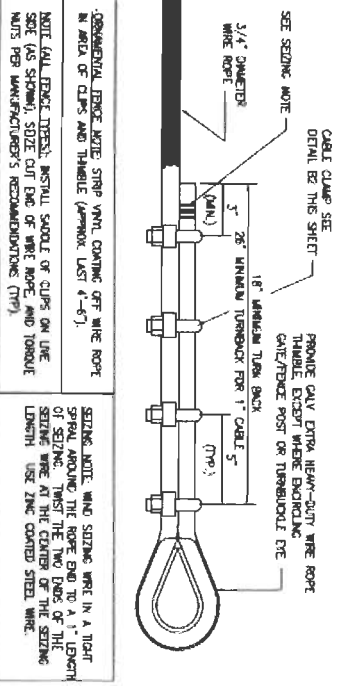
CABLE REINFC (ANTI-RAMMING CABLES) DETAILS, UFC-713



LINE POST DETAIL (CLF ONLY)
SCALE: 3" = 1'-0"
UFC-713

CABLE ANCHORAGE DETAIL @ PULL & ANCHOR POST W/ OVERLAPPING CABLES
SCALE: 3" = 1'-0"
UFC-713

CABLE ANCHORAGE DETAIL @ PULL & ANCHOR POST
SCALE: 3" = 1'-0"
UFC-713



TYPICAL TURNBACK AND CLAMP DETAIL
SCALE: 3" = 1'-0"
UFC-713

CLAMP DETAIL
SCALE: 3" = 1'-0"
UFC-713

DEADMAN ANCHOR ROD
SCALE: 1 1/2" = 1'-0"
UFC-713

