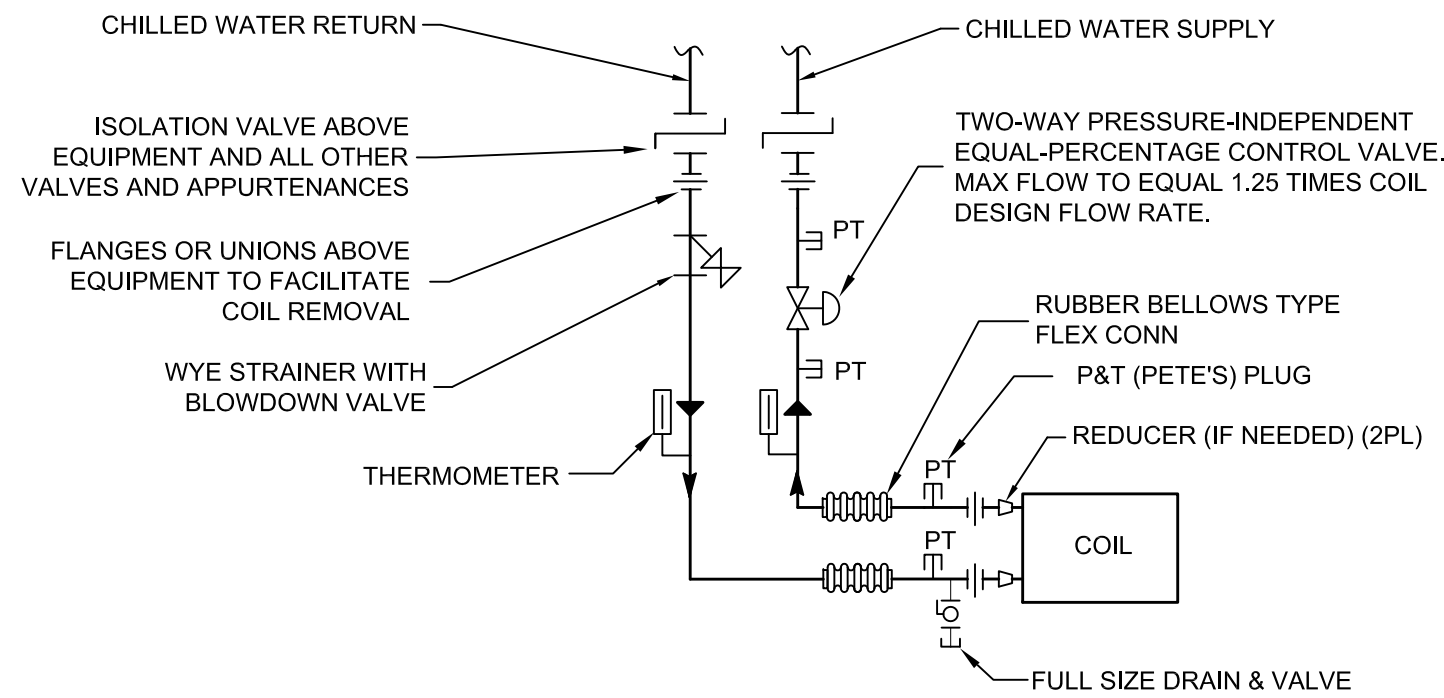
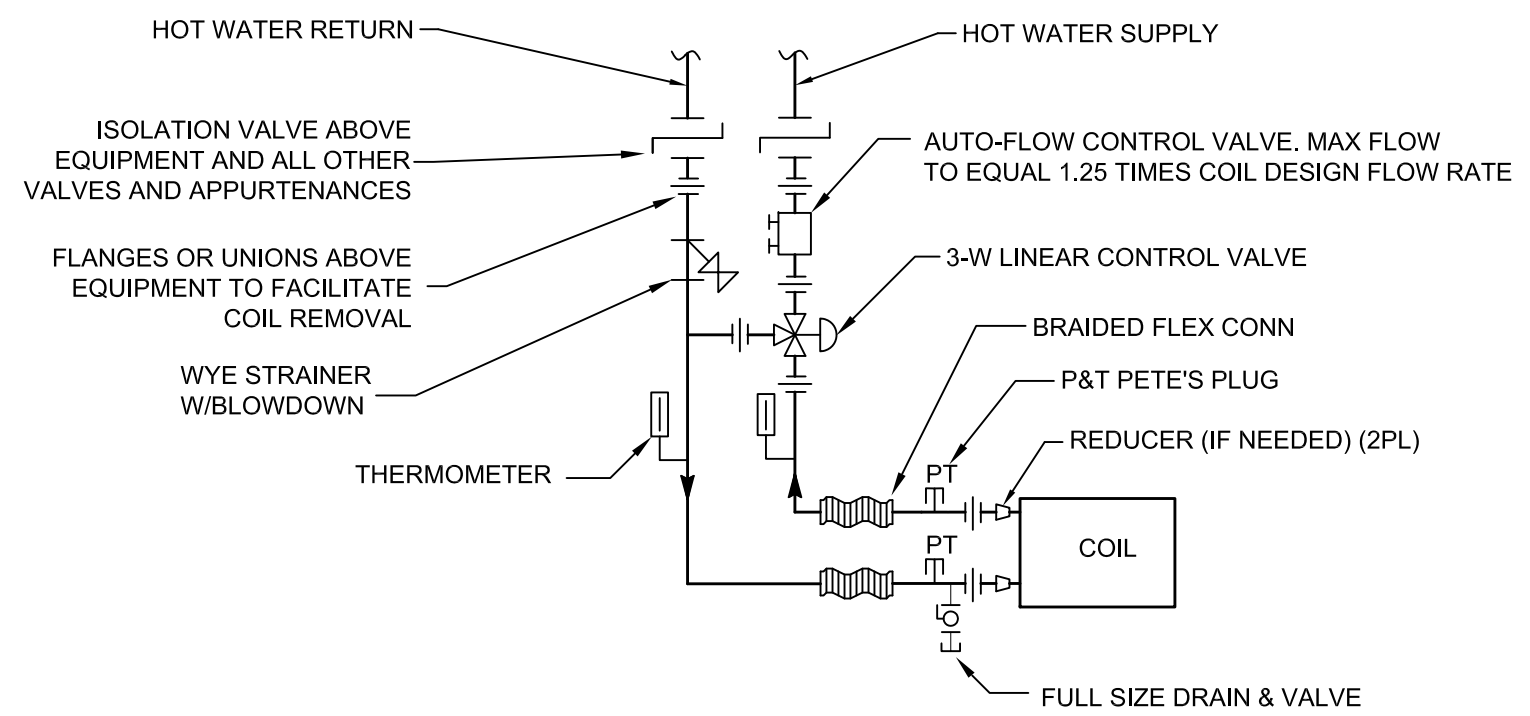


TYPICAL MECHANICAL BUILDING SECTION
SCALE: 1/4" = 1'-0"



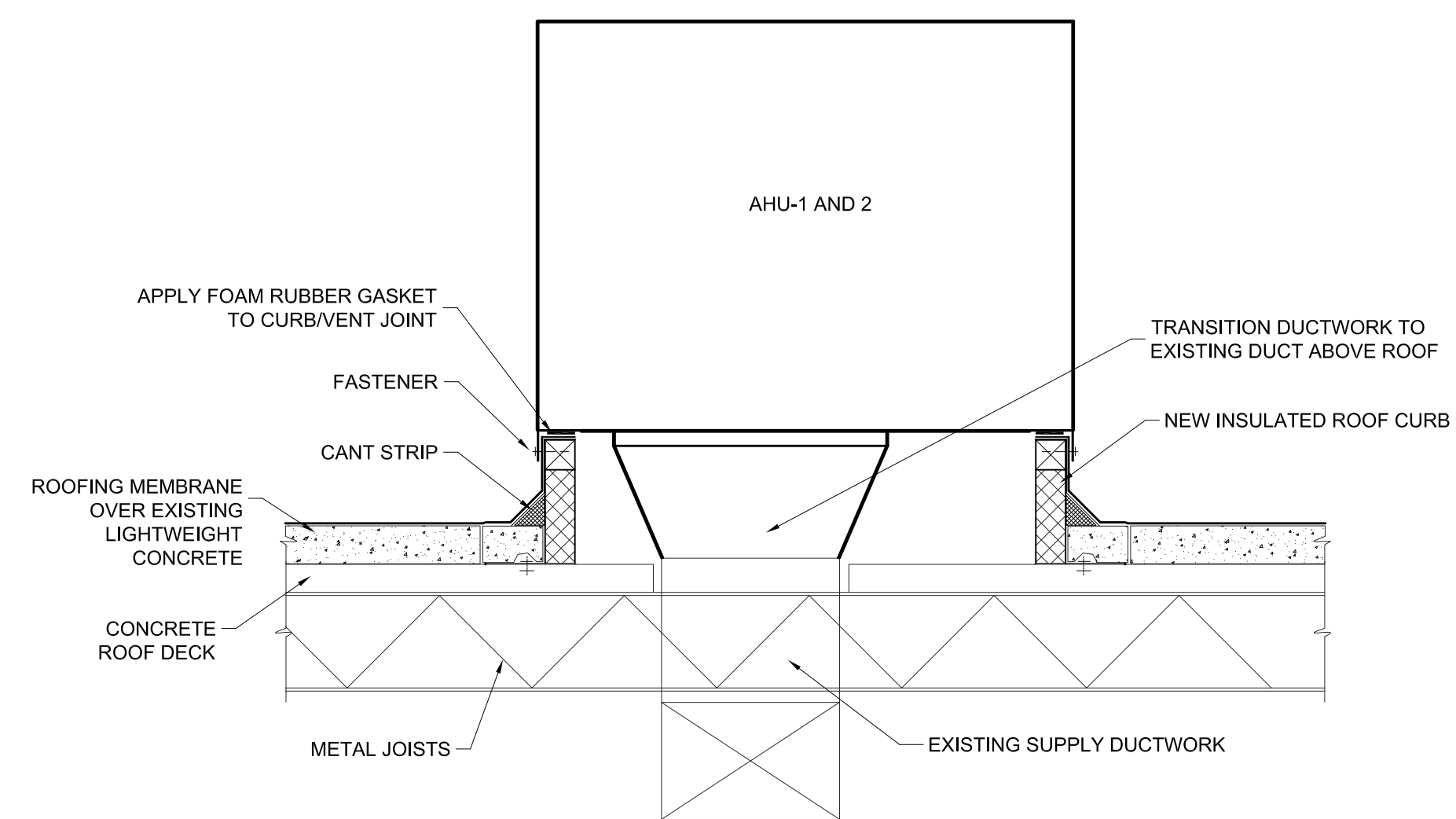
TYPICAL COOLING COIL CONNECTION DETAIL
SCALE: NONE

- NOTES:
- SEE AHU COIL BRANCH/RUNOUT PIPING SCHEDULE FOR PIPE SIZING, UOS
 - USE DIELECTRIC UNIONS/FLANGES TO ISOLATE DISSIMILAR MATERIALS.
 - SUPPORT PIPING FROM STRUCTURE - NO WEIGHT SHALL BEAR ON EQUIPMENT.
 - PROVIDE FOAM INSULATION AT CONTROL VALVES, UNIONS, APPURTENANCES, ETC.



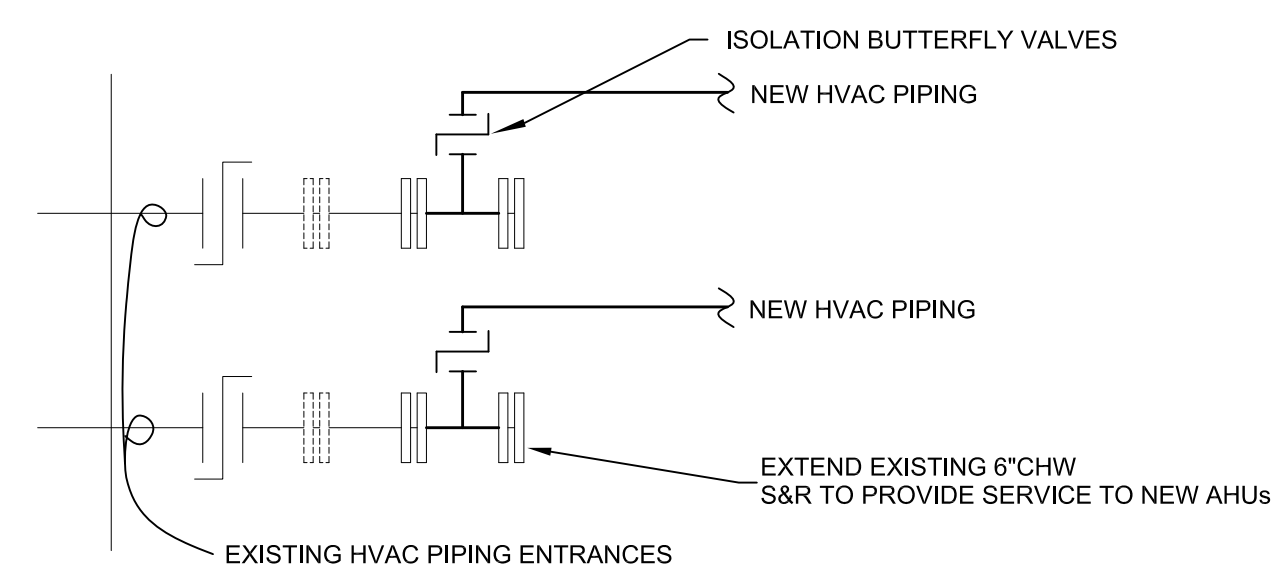
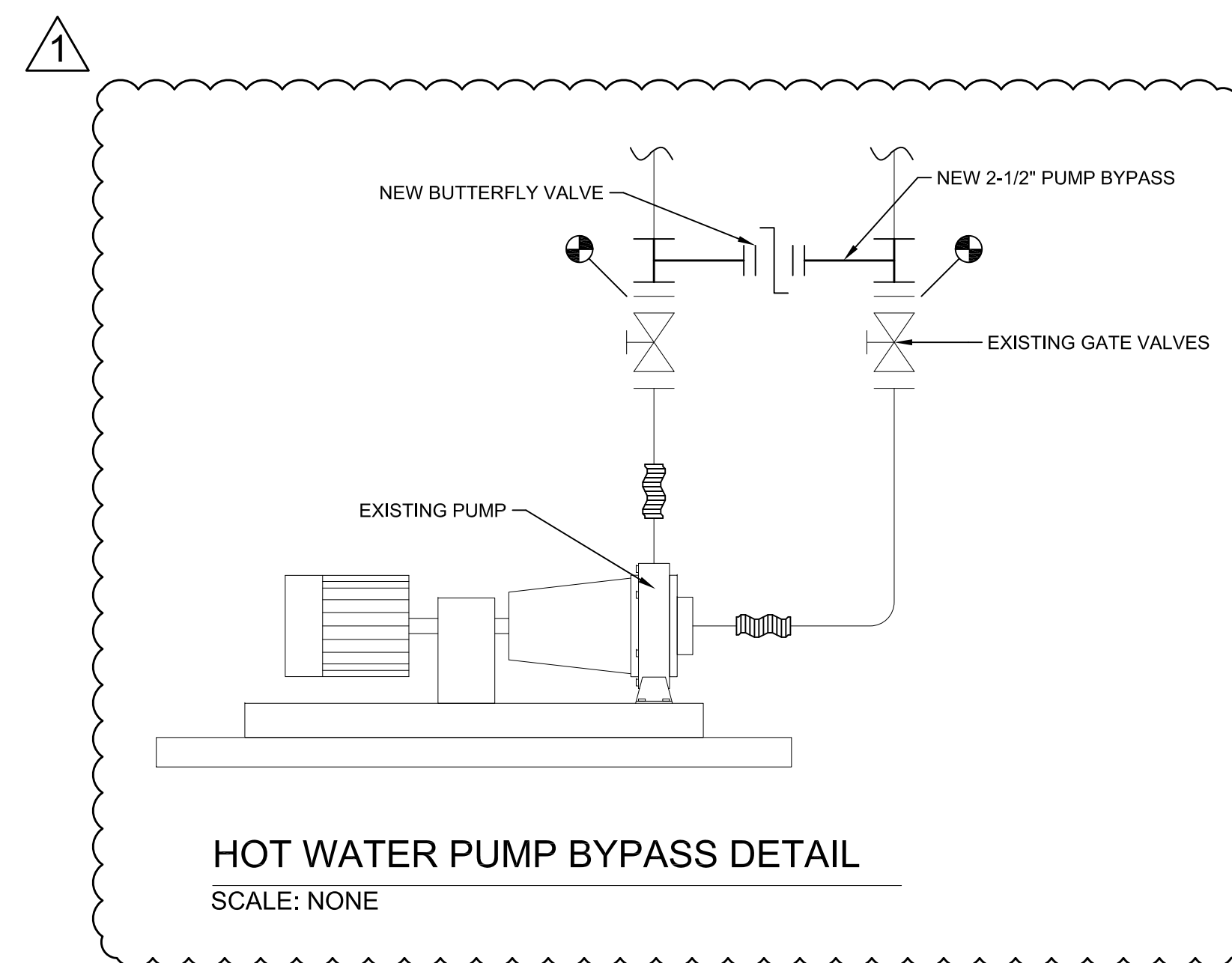
TYPICAL HEATING COIL CONNECTION DETAIL
SCALE: NONE

- NOTES:
- SEE AHU COIL BRANCH/RUNOUT PIPING SCHEDULE FOR SIZES.
 - USE DIELECTRIC UNIONS/FLANGES TO ISOLATE DISSIMILAR MATERIALS.
 - SUPPORT PIPING FROM STRUCTURE - NO WEIGHT SHALL BEAR ON EQUIPMENT.
 - PROVIDE ACCESS TO CONTROL VALVES, UNIONS, APPURTENANCES, ETC. VIA FOAM INSULATION.

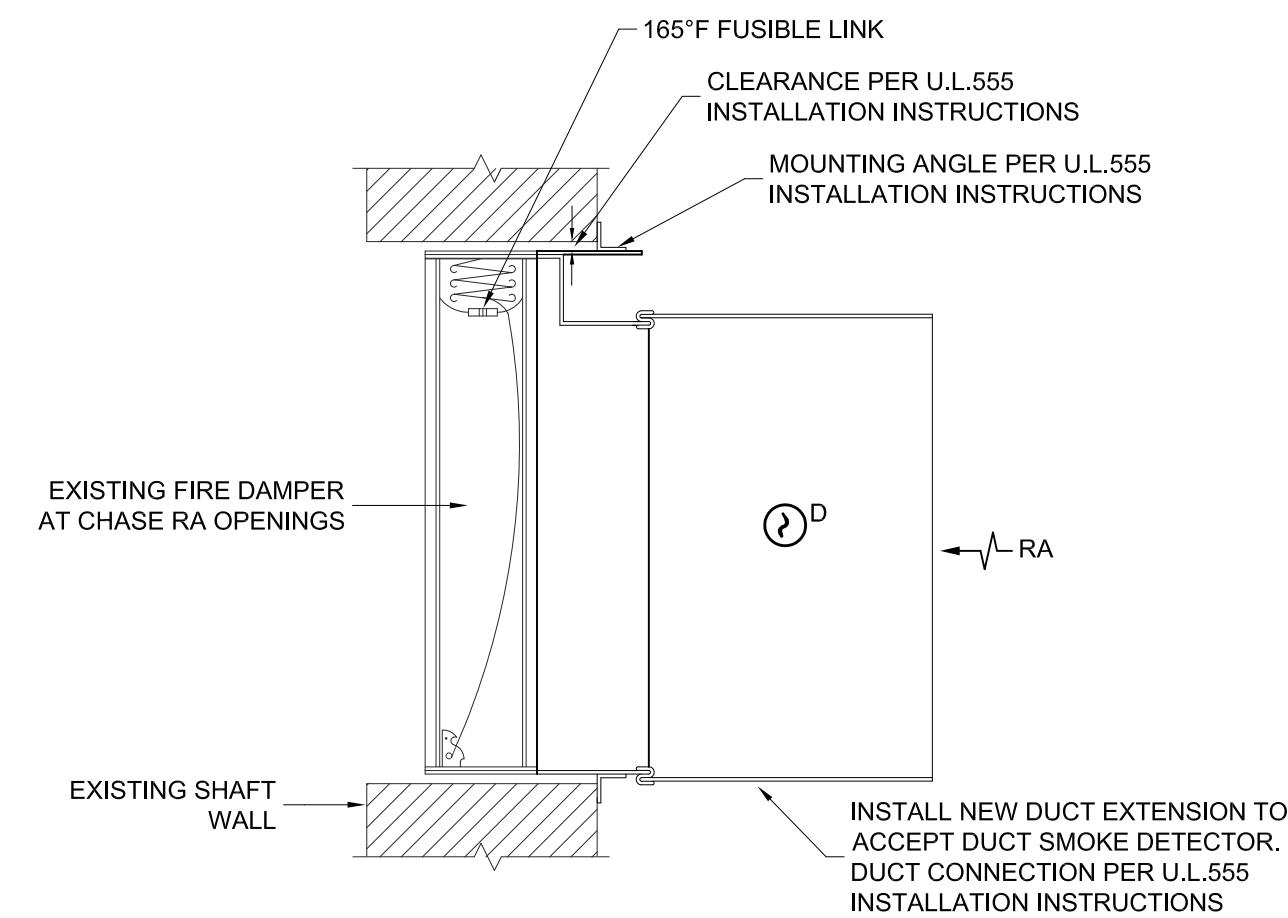
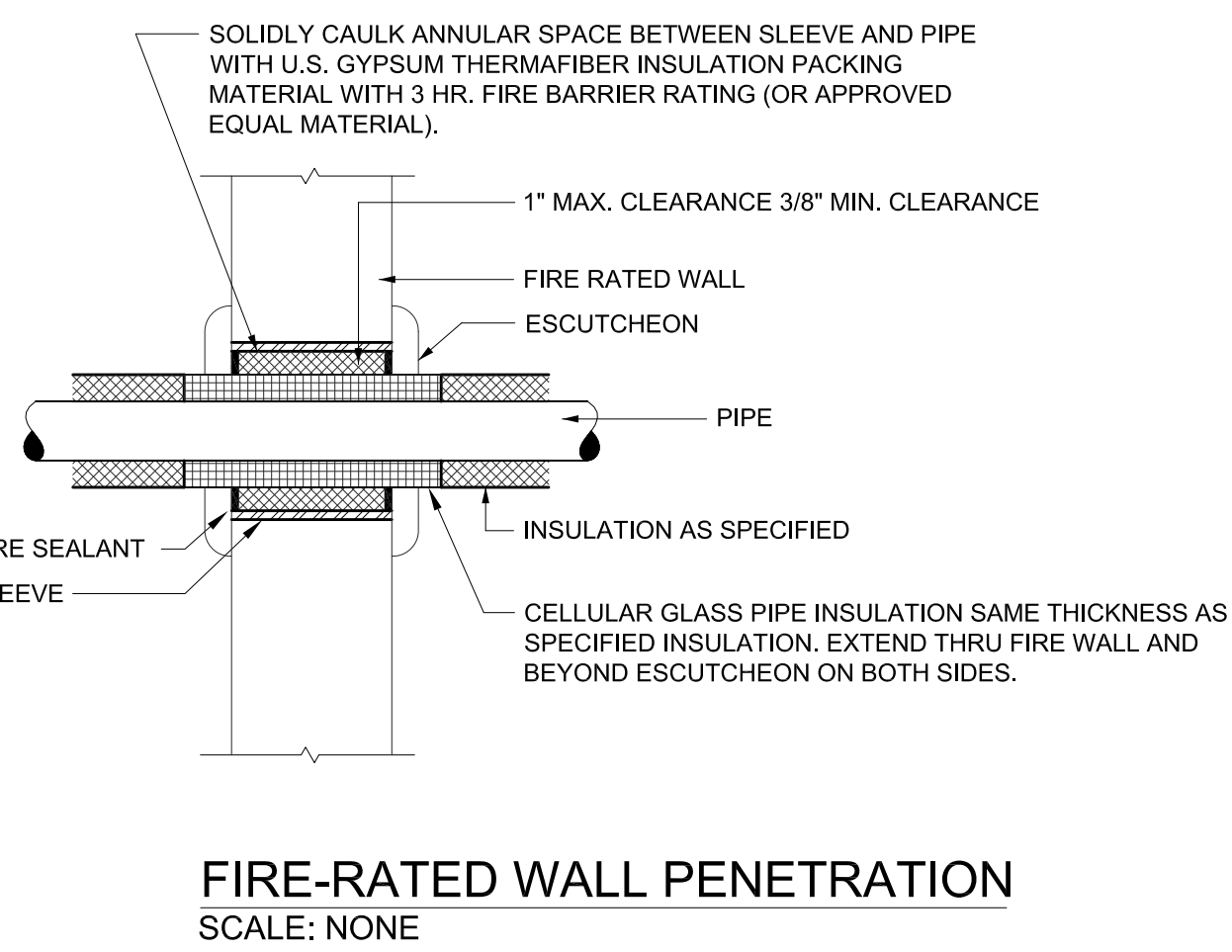
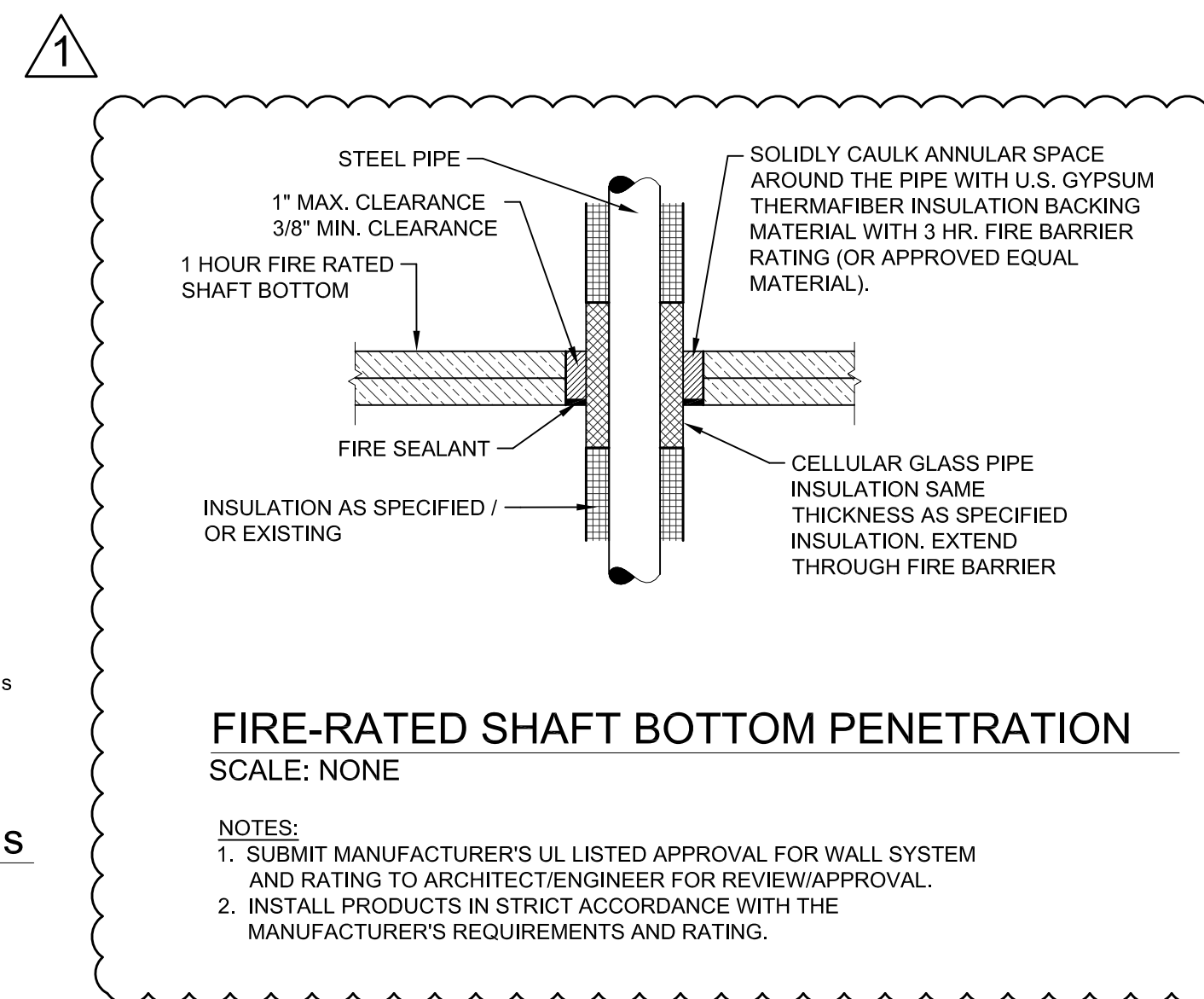


AHU ROOF CURB DETAIL
SCALE: NONE

- NOTES:
- SECURE CURB TO ROOF DECK WITH 1/4" DIAMETER ANCHOR BOLTS, 2' O.C. OR AS DIRECTED BY THE MANUFACTURER TO COMPLY WITH THE UNIT'S WIND LOAD CAPABILITY.



NEW CHW MAIN CONNECTIONS TO ROOFTOP AHUS
SCALE: NONE



McGinniss & Fleming
Engineering, Inc.

Mechanical · Electrical · Fire Protection · Plumbing

1401 Miccosukee Road - Suite 200
Tallahassee, Florida 32308

CA #05090

ROOFTOP HVAC REPLACEMENT
DOYLE CONNER LAB ADMIN BUILDING
TALLAHASSEE, FLORIDA

FL. DEPT. OF AGRICULTURE &
CONSUMER SERVICES

DATE:
November 10, 2017

· REVISION 1 - ADDENDUM 1 12/6/17

DESIGNED BY:
PJM

DRAWN BY:
TEP

SUBMITTAL:
CONSTRUCTION DOCUMENTS

SHEET TITLE:
MECHANICAL
DETAILS

SHEET:
M4.0

JOB NUMBER:
1712