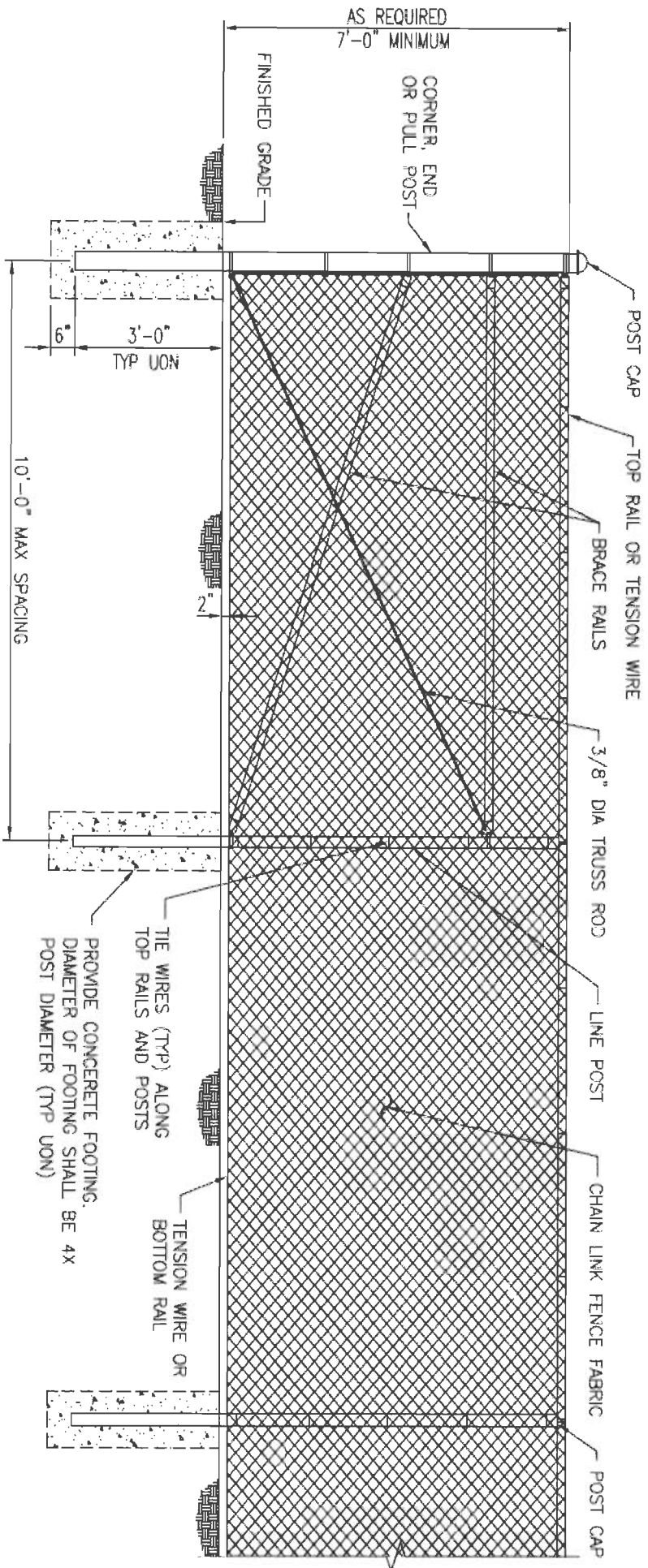
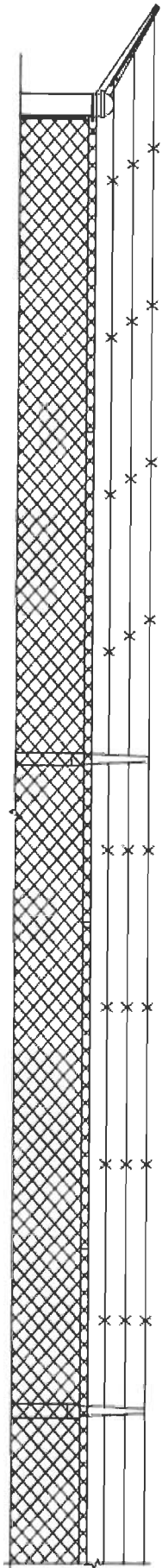


# CHAIN-LINK FENCING AND DETAILS, UFC-700

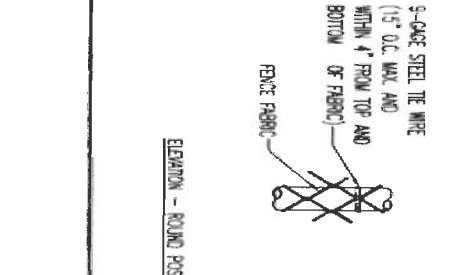
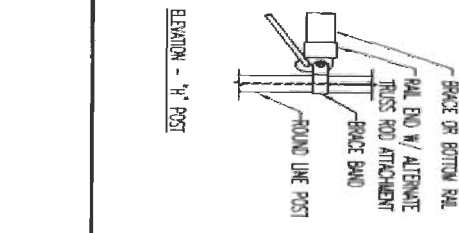
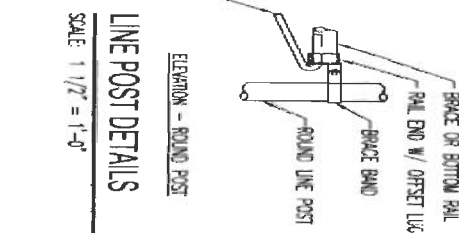
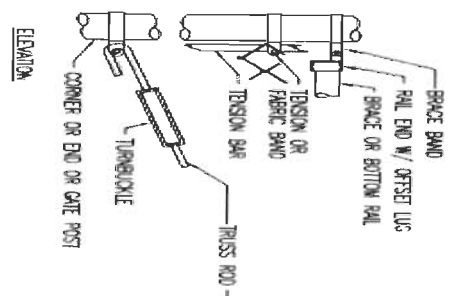
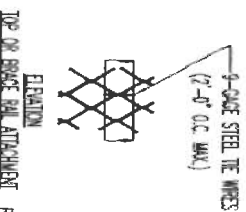
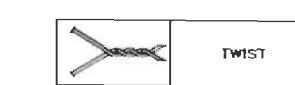
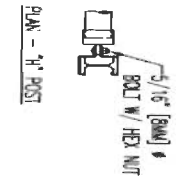
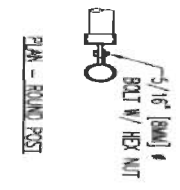
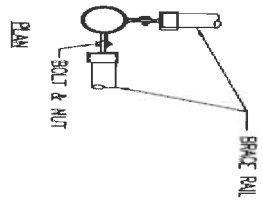


TYPICAL FENCE AND CORNER PANEL ELEVATION

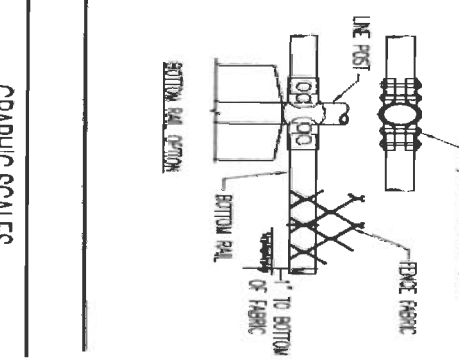
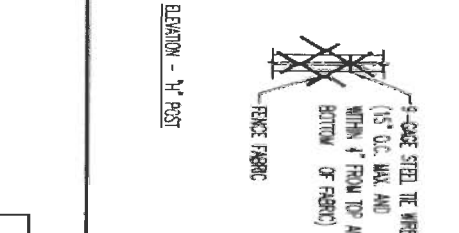
SCALE: 1" = 1'-0"



**TYPICAL 3 STRAND BARBED WIRE AND SINGLE EXTENSION ARM CONFIGURATION**  
 SCALE: 1" = 1'-0"



FITTINGS NOTES	
1	METRIC DIMENSIONS ARE NOMINAL EQUIVALENTS TO U.S. DIMENSIONS.
2	ALL FITTINGS MATERIAL SHALL BE AS SPECIFIED.



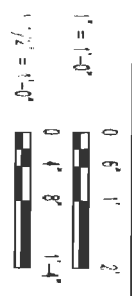
**CORNER OR END POSTS**

SCALE: 1 1/2" = 1'-0"

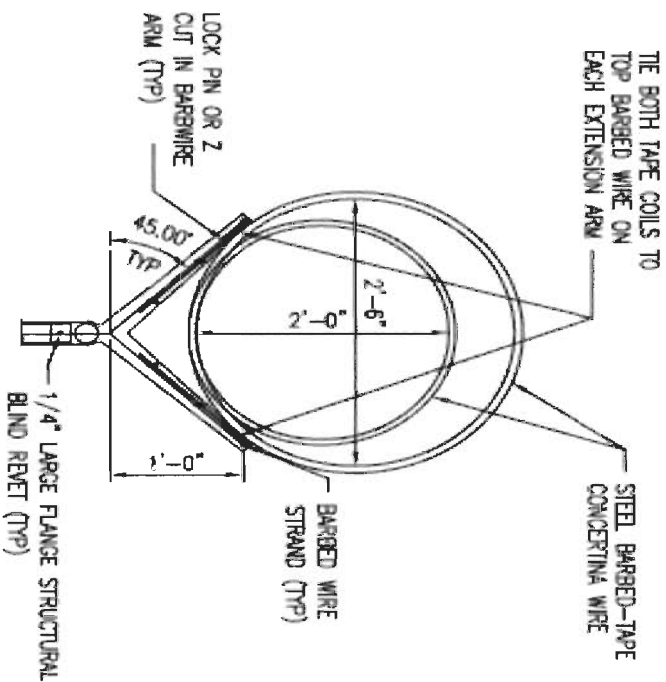
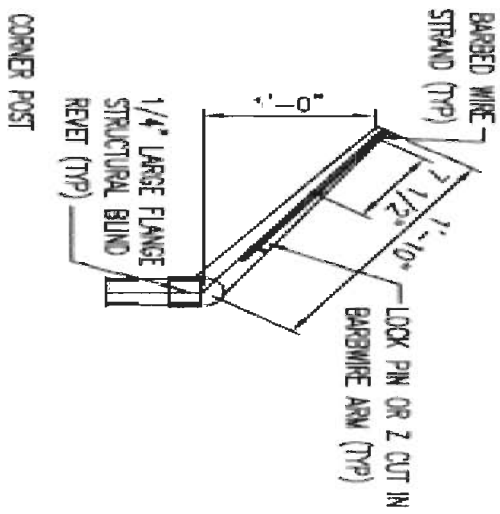
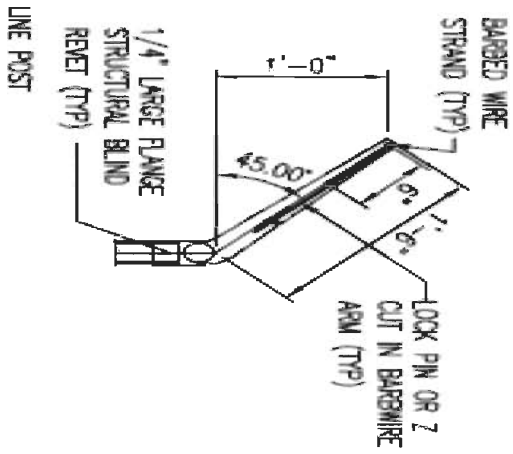
**LINE POST DETAILS**

SCALE: 1 1/2" = 1'-0"

**GRAPHIC SCALES**



# BARBED WIRE/ARRANGEMENT DETAILS, UFC-701



## SINGLE EXTENSION ARM DETAILS

SCALE: 1" = 1'-0"

## CONCERTINA WIRE MOUNTING

SCALE: 1" = 1'-0"

## CHAIN LINK FENCING NOTES

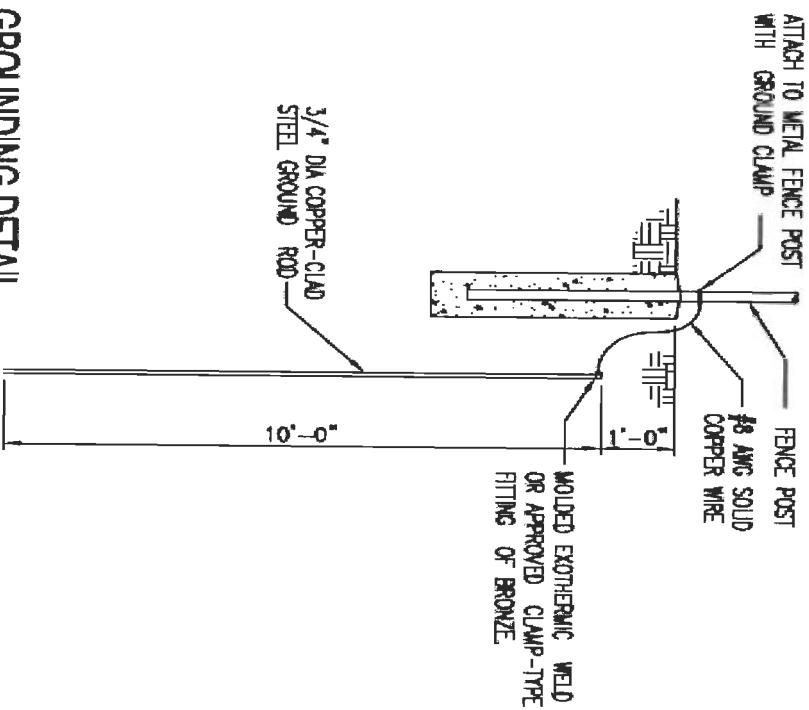
1. **FABRIC:** THE STANDARD FENCE FABRIC SHALL BE VINYL-ZINC OR ALUMINUM-COATED STEEL WIRE CHAIN LINK WITH MESH OPENINGS NOT LARGER THAN TWO INCHES PER SIDE AND A TWISTED AND BARBED SELVAGE AT TOP AND BOTTOM IN ACCORDANCE WITH THE SPECIFICATIONS. UTILIZE 6-GAUGE FOR BASE PERIMETER OR HEIGHTENED SECURITY ZONES AND 9-GAUGE FOR BASE INTERIOR OR WHEN JOINING AN EXISTING FENCE WHICH IS ALREADY 9-GAUGE.
2. **FABRIC TIES:** ONLY 12-GAUGE STEEL TIES SHALL BE USED. COATING OR PLATING WILL BE ELECTROLYTICALLY COMPATIBLE WITH THE FENCE FABRIC TO INHIBIT CORROSION.
3. **REINFORCEMENT:** TENSION WIRES SHALL BE INSTALLED AND INTERWOVEN (OR AFFIXED WITH FABRIC TIES) ALONG THE TOP & BOTTOM OF THE FENCE FOR STABILIZATION OF THE FENCE FABRIC.
4. **FENCE HEIGHT:** CHAIN LINK FABRIC SHALL BE 7' HIGH WITH AN ADDITIONAL 1' IN HEIGHT COMPOSED OF 3 STRANDS OF BARBED WIRE AS REQUIRED. THE TOTAL FENCE HEIGHT SHALL BE 8'.
5. **GROUND CLEARANCE:** BOTTOM OF THE FENCE FABRIC SHALL BE WITHIN TWO INCHES OF FIRM SOIL.
6. **TOP GUARDS:** A TOP GUARD IS AN OVERHANG OF BARBED WIRE ALONG THE TOP OF A FENCE FACING OUTWARD (AWAY FROM PROTECTED SITE) AND UPWARD AT APPROX. 45 ANGLE. TOP GUARD SUPPORTING ARMS WILL BE PERMANENTLY AFFIXED TO THE TOP OF FENCE POSTS TO INCREASE THE OVERALL HEIGHT OF THE FENCE AT LEAST 1 FOOT. THREE STRANDS OF 12-GAUGE BARBED WIRE, EQUALLY SPACED, SHALL BE INSTALLED ON THE SUPPORTING ARMS.
7. **FENCE POSTS:** SHALL BE ASTM F1063 OR F1083 ROUND PIPE OR SQUARE TUBE AND SHALL BE GALVANIZED IN ACCORDANCE WITH THE SPECIFICATIONS. FENCE POST SPACING AND SIZE (DIAMETER) SHALL BE DETERMINED IN ACCORDANCE WITH CHAIN LINK FENCE MANUFACTURERS' INSTITUTE (WILG 2445). SPACING SHALL NOT EXCEED 10'-0" OC. SIZE (DIAMETER) SHALL NOT BE LESS THAN THAT SPECIFIED.

## GRAPHIC SCALES



## GROUNDING DETAIL

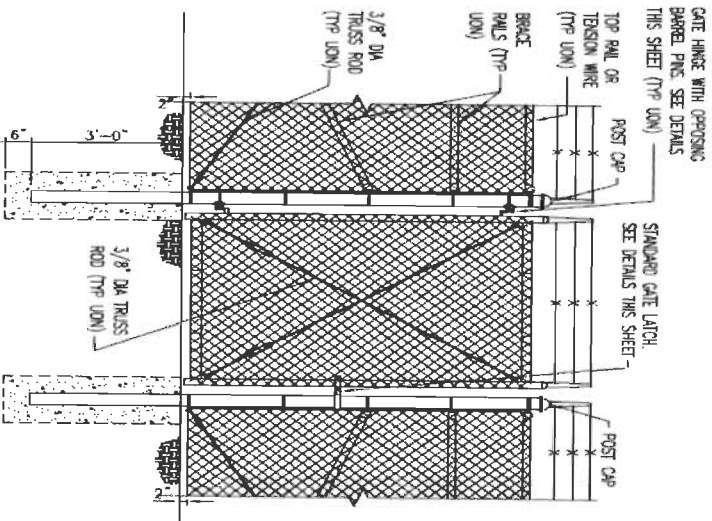
NO SCALE



# SINGLE SWING WALKING GATE, UFC-702

## PLAN SINGLE SWING GATE

SCALE: 1" = 1'-0"

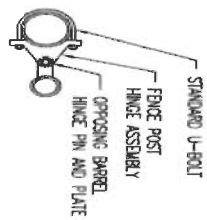


TYPICAL FENCE SINGLE SWING GATE ELEVATION  
SCALE: 1/2" = 1'-0"

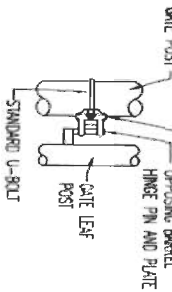
SINGLE OR DOUBLE LEAF GATES			
NOM HEIGHT (H)	UPRIGHT HT (U)	FRAME HT (F)	
NOM HT INCLUDING BARBED WIRE	ACTUAL DM	ACTUAL DM	
8'-0" [2439MM]	7'-10" [2389MM]	6'-8 1/2" [2051MM]	

SINGLE LEAF GATES			
OPENING	GATE POSTS	HINGE SPACE (S)	
FACE TO FACE	SQUARE & ROUND SIZES	POST TO UPRIGHT	
3'-0" [914MM]	2.5" [63.5MM] SQ x 3/16" TH	FOR SQUARE & ROUND GATE POSTS	
6'-0" [1829MM]	2.875" [73MM] OD	2 1/4" [57MM]	
6'-0" [1829MM]	4" [102MM] SQ x 3/16" TH	FOR SQUARE & ROUND GATE POSTS	
12'-0" [3657MM]	4" [102MM] OD	2 1/4" [57MM]	
12'-0" [3657MM]	6" [152MM] SQ x 3/16" TH	FOR SQUARE & ROUND GATE POSTS	
18'-0" [5490MM]	6.625" [168MM] OD	2 1/4" [57MM]	
18'-0" [5490MM]	8" [203MM] SQ x 1/4" TH	FOR SQUARE & ROUND GATE POSTS	
23'-0" [7010MM]	8.625" [219MM] OD	2 1/4" [57MM]	

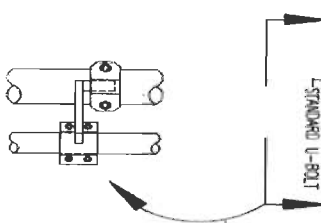
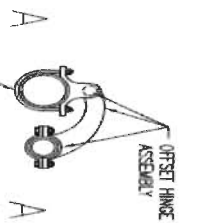
NOTE: IF GATE HINGERS ARE NOT OPPOSING (AS SHOWN ABOVE) OR LEAF IS NOT LOCKED MECHANICALLY TO THE HINGES, WELD AN ANGLE PLATE OR BLOCK ABOVE HINGE TO RESTRICT LEAF FROM BEING REMOVED OR LIFTED OFF. RESTRICTION SHALL NOT HINDER OPERATION OF GATE.



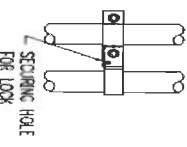
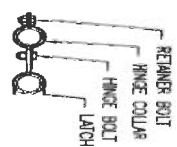
(\*)NOTE: WELD HINGES TO POST IF INSTALLING CABLE REINFORCEMENT ON GATES. ENSURE CORRECT HEIGHT FOR FULL OPERATION PRIOR TO WELDING (TYPICAL).



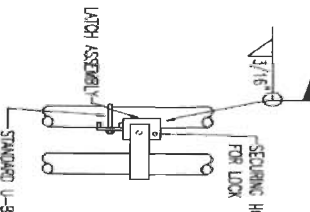
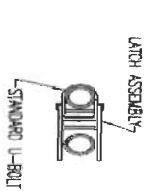
GATE HINGE DETAIL  
SCALE: 1 1/2" = 1'-0"



OFFSET HINGE DETAIL  
SCALE: 1 1/2" = 1'-0"

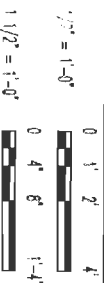


GATE LATCH DETAIL  
SCALE: 1 1/2" = 1'-0"



FULCRUM LATCH DETAIL  
SCALE: 1 1/2" = 1'-0"

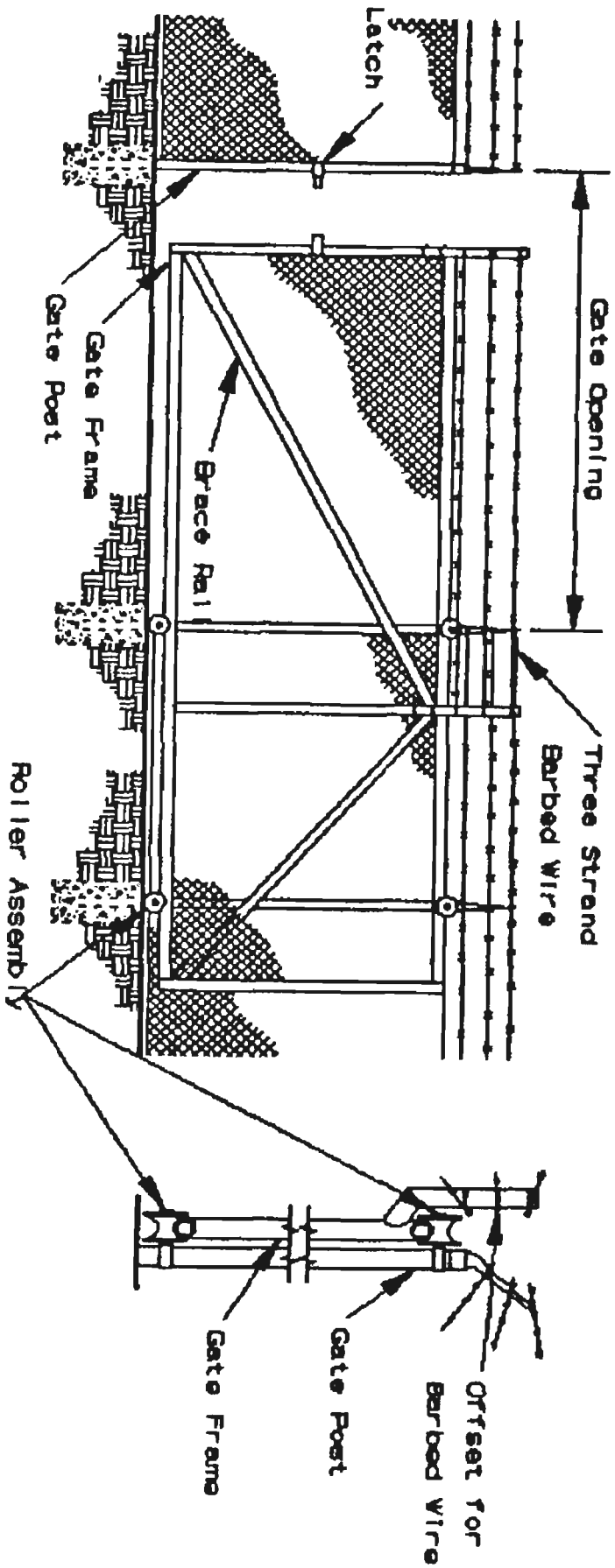
### GRAPHIC SCALES



Design single swing gates to match fence fabric height, with an additional 1 ft (305 mm) of three strand barbed wire added to the height if barb wire is part of the fence structure. The gate opening should not exceed a width of 14 ft (4.3 m).



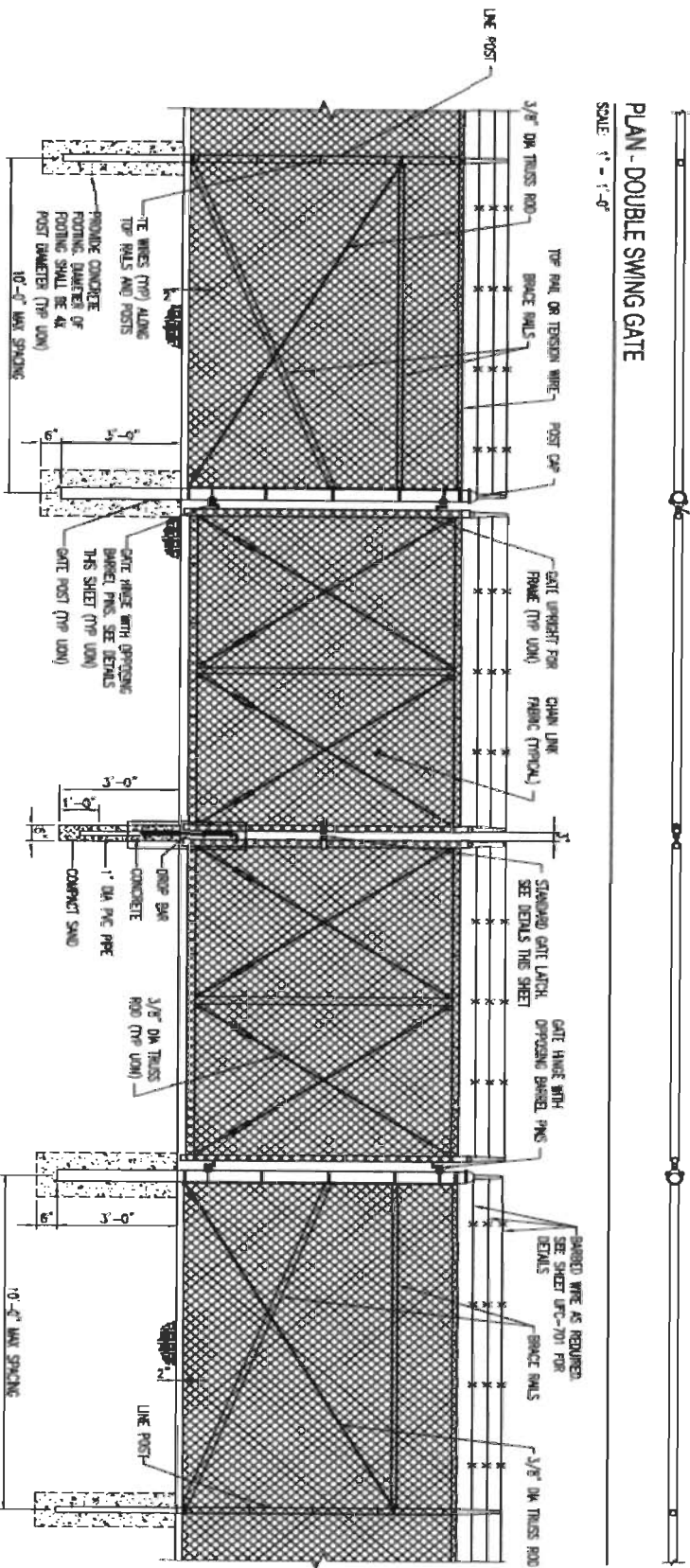
# CANTILEVER SLIDING GATE (continued), UFC-703



# DOUBLE SWING GATE (UFC 702)

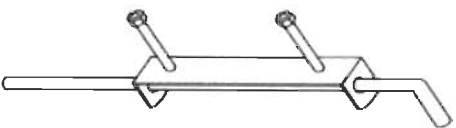
## PLAN - DOUBLE SWING GATE

SCALE: 1" = 1'-0"



TYPICAL DOUBLE SWING GATE ELEVATION

NOTE: PROVIDE ONE DROP BAR FOR EACH LEAF (TYP). ASSUMED ONLY SLEEVES TO BE INSTALLED FLUSH WILL GIVE AT FULLY OPEN AND CLOSED POSITIONS. CONTRACTOR SHALL PROVIDE 6" LAYER OF FINE STONE BELOW BOTTOM OF SLEEVE TO ALLOW FOR DRAINAGE.

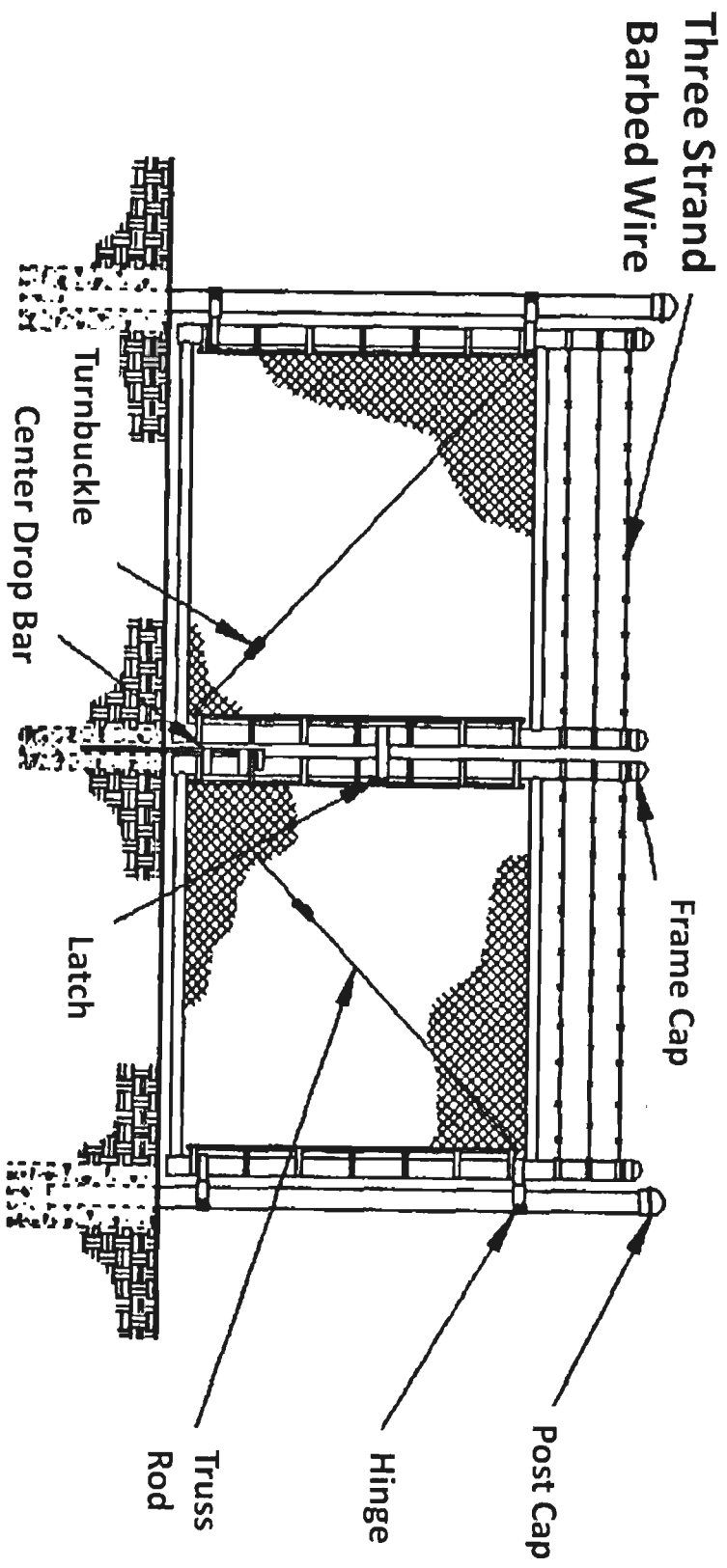


DETAIL: DROP BAR

NOT TO SCALE



# DOUBLE SWING GATE (continued) (UFC 702)

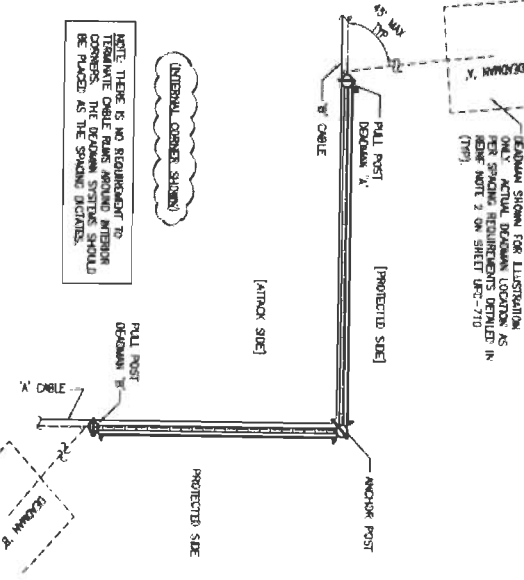
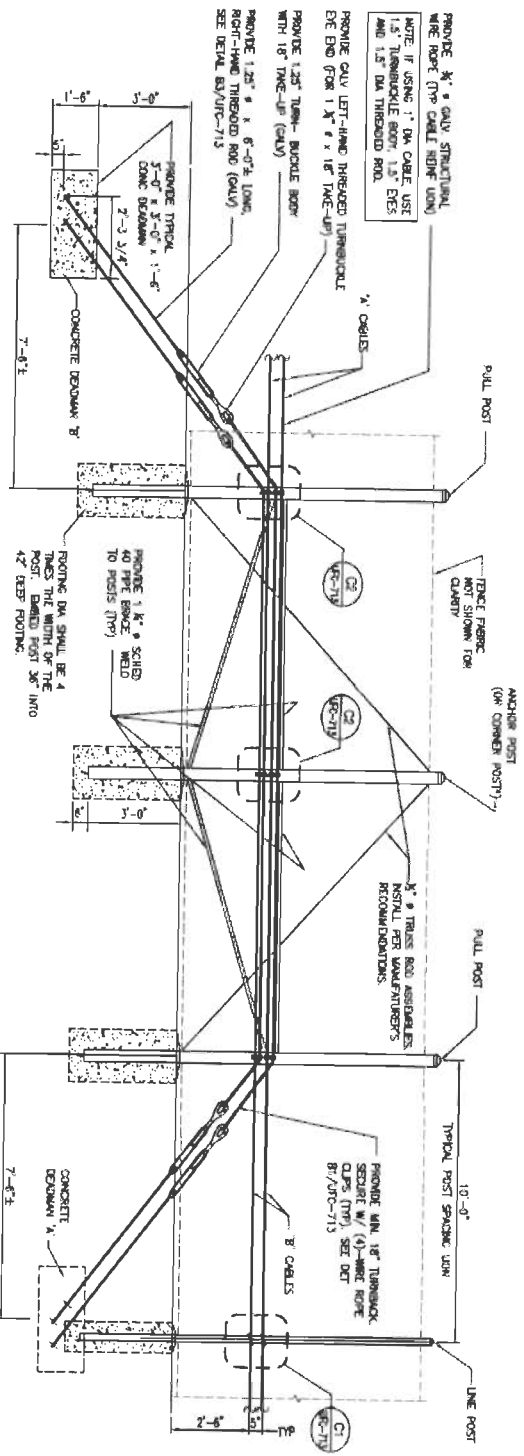
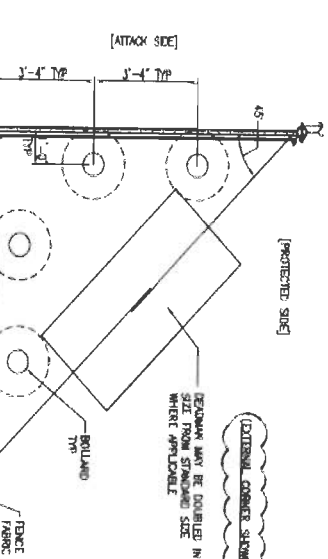
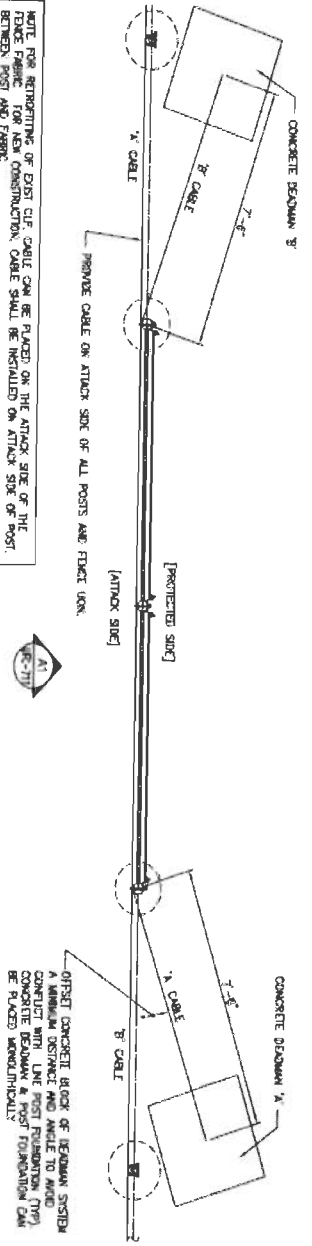


## GATE POST FOUNDATIONS

<b>Steel Post Diameter</b>	<b>Foundation Hole Diameter</b>	<b>Gate Leaf Length</b>
<b>2.875 in (73 mm)</b>	<b>18 in (450 mm)</b>	<b>0 - 6 ft (0 - 1.8 m)</b>
<b>4.000 in (101.6 mm)</b>	<b>24 in (609.6 mm)</b>	<b>6 - 12 ft (1.8 - 3.7 m)</b>
<b>6.625 in (168.3 mm)</b>	<b>36 in (914.4 mm)</b>	<b>12 - 18 ft (3.7 - 5.5 m)</b>
<b>8.625 in (219 mm)</b>	<b>40 in (1016 mm)</b>	<b>18 - 24 ft (5.5 - 7.3 m)</b>



# TYPICAL CABLE REINF CHAIN-LINK FENCE - DEADMAN AND LINE POST (ANTI-RAMMING CABLES), UFC-711



TYPICAL ELEVATION OF DEADMAN AND LINE POST LAYOUT

TYPICAL PLAN OF TURNING POINT POST LAYOUT

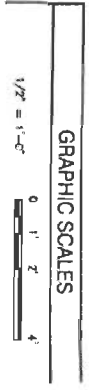
TYPICAL PLAN OF TURNING POINT POST LAYOUT

SCALE 1/2" = 1'-0"

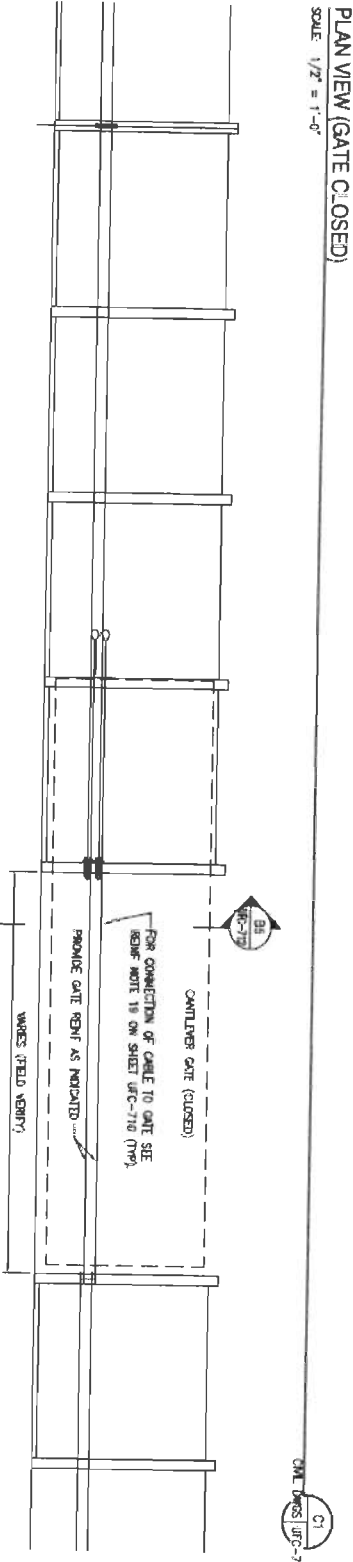
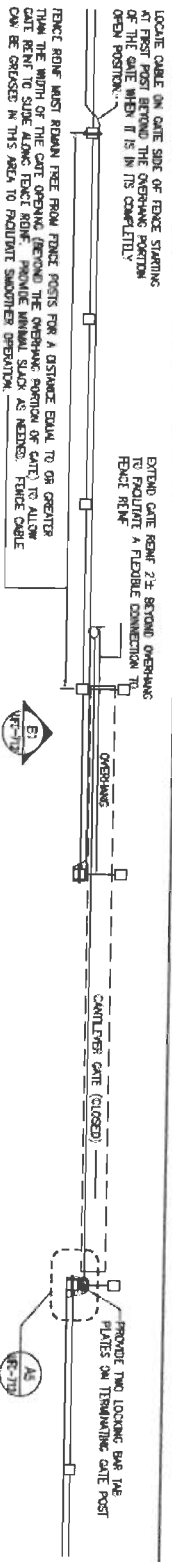
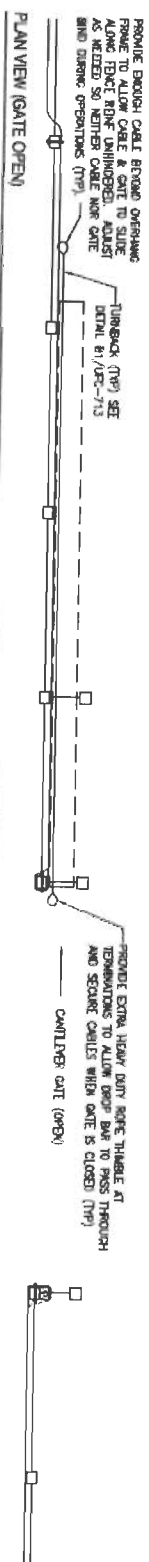
CIVIL DIMS [UFC-711]

CIVIL DIMS [UFC-711]

CIVIL DIMS [UFC-711]

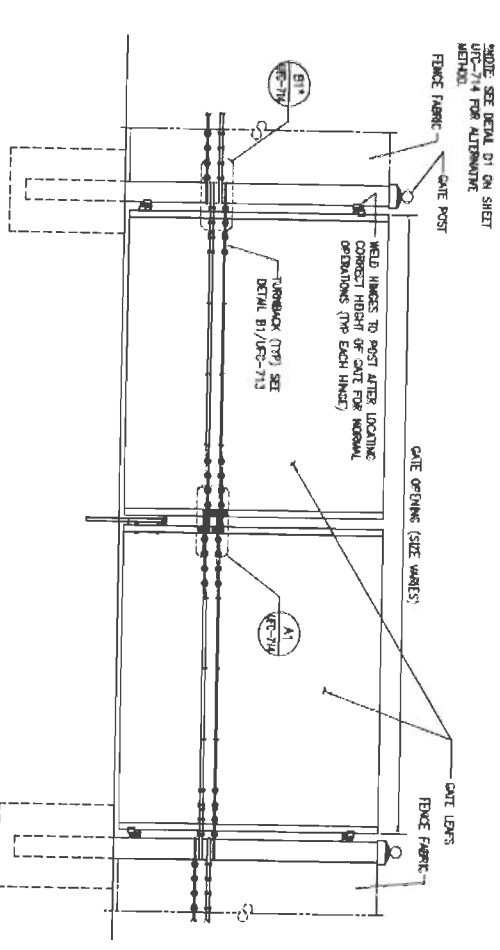
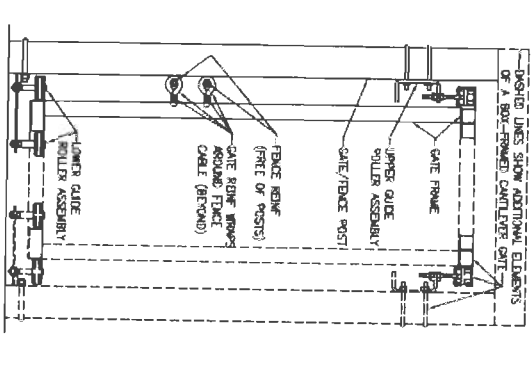


# TYPICAL CABLE REINF CHAIN-LINK FENCE -GATES (ANTI-RAMMING CABLES), UFC-712

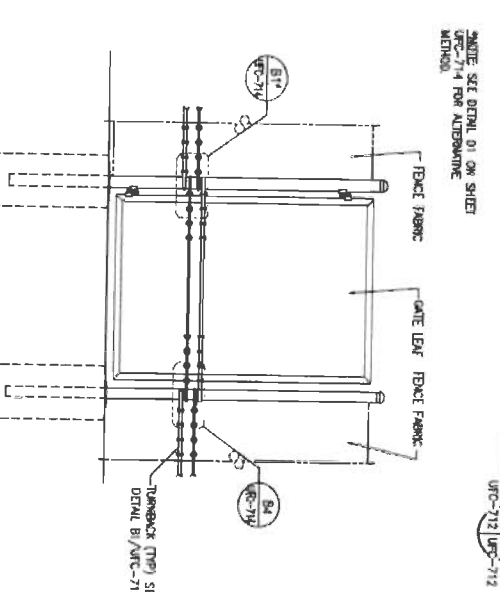


ELEVATION - TYPICAL CABLE REINFORCING CANTILEVER SLIDE GATE  
SCALE 1/2" = 1'-0"

GATE SECTION  
SCALE 1/2" = 1'-0"

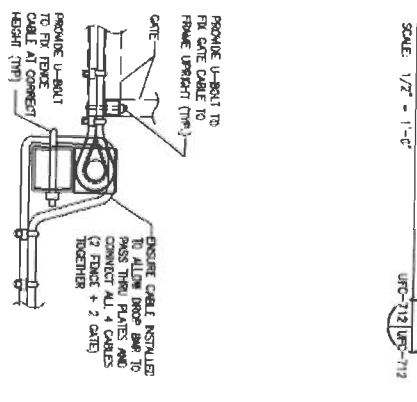


ELEVATION - TYP CABLE REINFORCING DOUBLE FOR SWING GATE  
SCALE 1/2" = 1'-0"



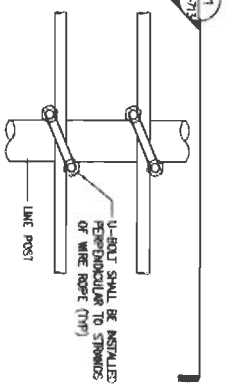
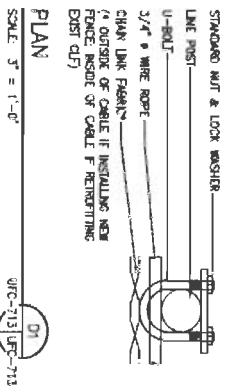
ELEVATION - TYP CABLE REINF SINGLE SWING GATE  
SCALE 1/2" = 1'-0"

GATE SECTION  
SCALE 1/2" = 1'-0"

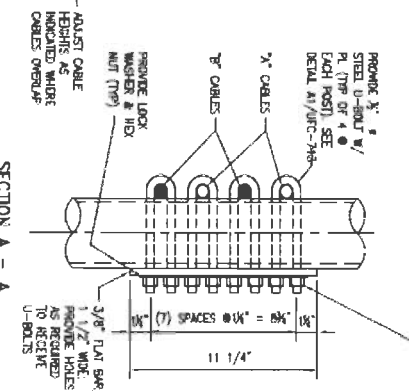
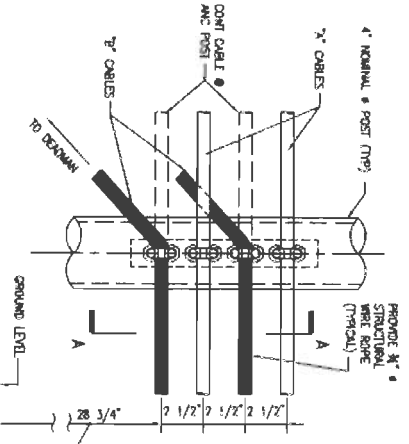


GRAPHIC SCALES

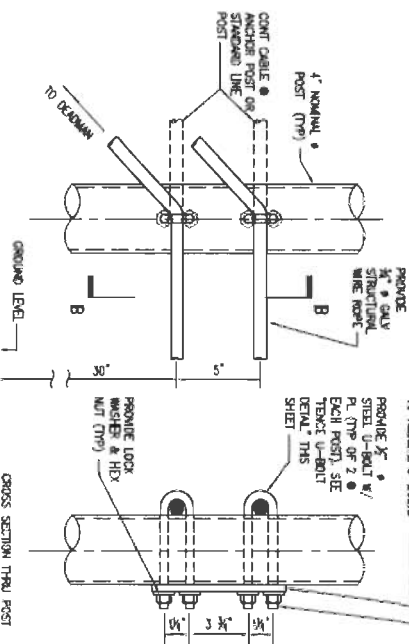
# CABLE REINFC (ANTI-RAMMING CABLES) DETAILS, UFC-713



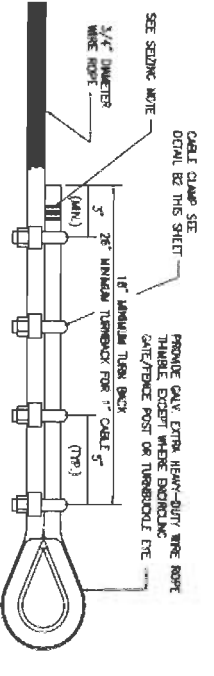
LINE POST DETAIL (CLF ONLY) UFC-711, UFC-710, UFC-713



CABLE ANCHORAGE DETAIL @ PULL & ANCHOR POST W/ OVERLAPPING CABLES UFC-710, UFC-713



CABLE ANCHORAGE DETAIL @ PULL & ANCHOR POST UFC-711, UFC-713

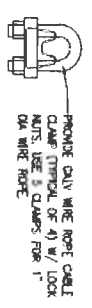


ORNAIMENTAL FENCE NOTE: STRIP WELD, COMING OFF WIRE ROPE IN AREA OF CLIPS AND THIMBLE (MINIMUM LAST 4'-6").

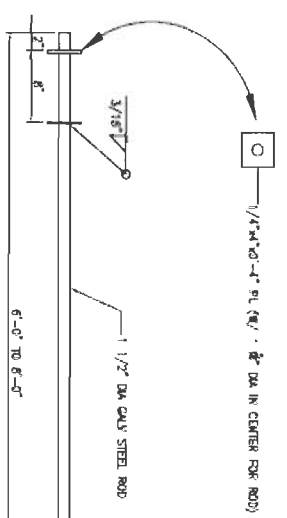
NOTE: ALL WIRE TYPES, METAL SPOUTS OF CLIPS ON LINE SIZES AS SHOWN. SIZE CUT END OF WIRE ROPE AND TORSION MATS PER MANUFACTURER'S RECOMMENDATIONS (TYP).

SETTING NOTE: WIND SETTING WIRE IN A TIGHT SPIRAL AROUND THE ROPE END TO A 1" LENGTH OF SETTING. TRIM THE TWO ENDS OF THE SETTING WIRE AT THE CENTER OF THE SETTING LENGTH FOR ENE COATED STEEL WIRE.

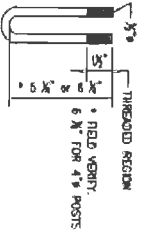
TYPICAL TURNBACK AND CLAMP DETAIL UFC-710, UFC-711, UFC-712, UFC-720, UFC-721, UFC-722, UFC-713



CLAMP DETAIL UFC-713, UFC-713



DEADMAN ANCHOR ROD UFC-710, UFC-711, UFC-721, UFC-713



FENCE U-BOLT DETAIL UFC-713, UFC-713

