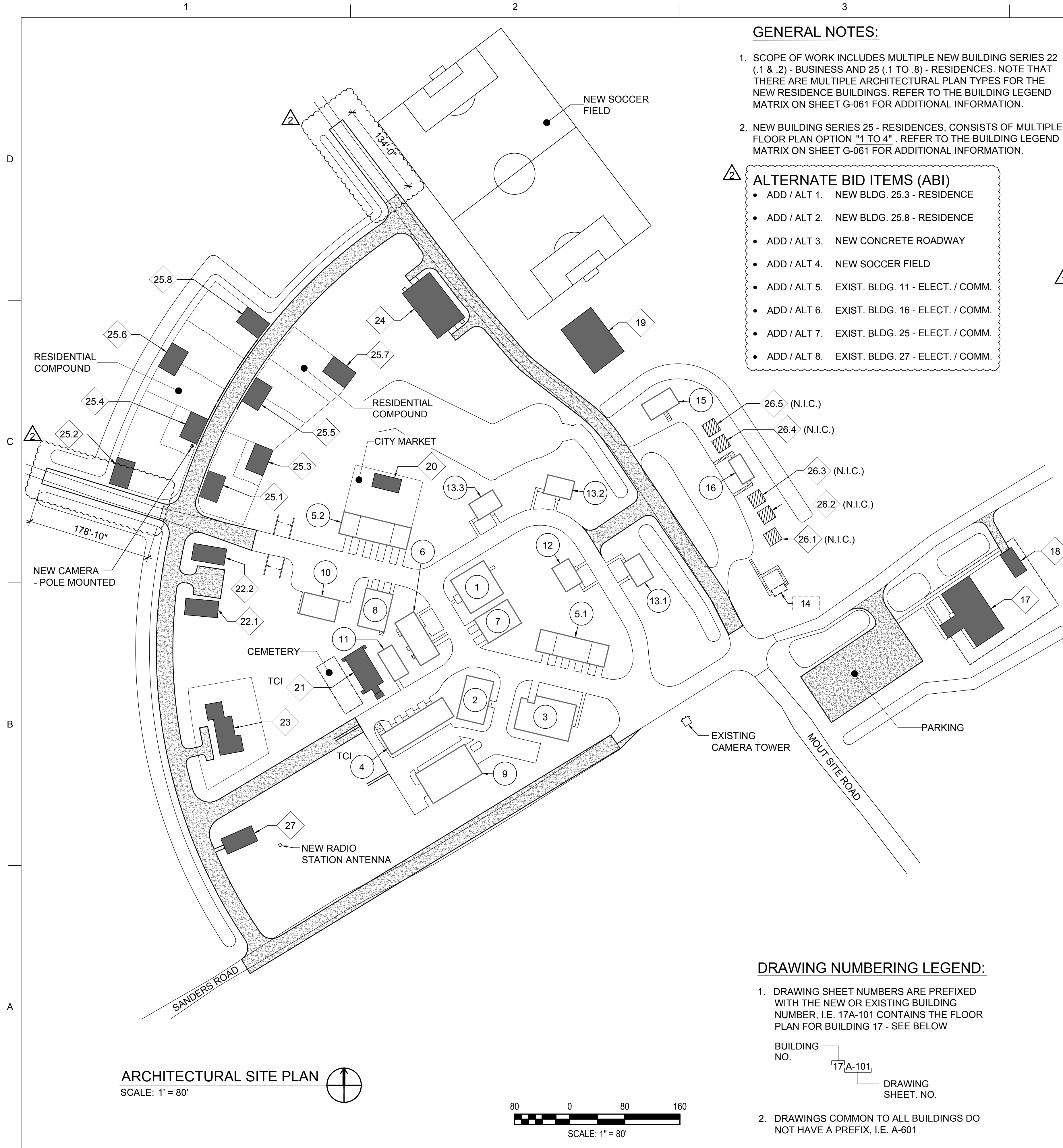


May 14, 2013 - 1:31pm L:\FLARNGW9911Y-11-2-2001- 1110304 - Combined Arms Collective Training Facility (CACTF), Camp Blanding FL04 - CAD_BIM Files\CAD-G-061.dwg



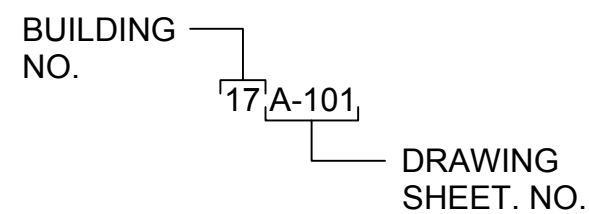
GENERAL NOTES:

- SCOPE OF WORK INCLUDES MULTIPLE NEW BUILDING SERIES 22 (.1 & .2) - BUSINESS AND 25 (.1 TO .8) - RESIDENCES. NOTE THAT THERE ARE MULTIPLE ARCHITECTURAL PLAN TYPES FOR THE NEW RESIDENCE BUILDINGS. REFER TO THE BUILDING LEGEND MATRIX ON SHEET G-061 FOR ADDITIONAL INFORMATION.
- NEW BUILDING SERIES 25 - RESIDENCES. CONSISTS OF MULTIPLE FLOOR PLAN OPTION "1 TO 4". REFER TO THE BUILDING LEGEND MATRIX ON SHEET G-061 FOR ADDITIONAL INFORMATION.

- ALTERNATE BID ITEMS (ABI)**
- ADD / ALT 1. NEW BLDG. 25.3 - RESIDENCE
 - ADD / ALT 2. NEW BLDG. 25.8 - RESIDENCE
 - ADD / ALT 3. NEW CONCRETE ROADWAY
 - ADD / ALT 4. NEW SOCCER FIELD
 - ADD / ALT 5. EXIST. BLDG. 11 - ELECT. / COMM.
 - ADD / ALT 6. EXIST. BLDG. 16 - ELECT. / COMM.
 - ADD / ALT 7. EXIST. BLDG. 25 - ELECT. / COMM.
 - ADD / ALT 8. EXIST. BLDG. 27 - ELECT. / COMM.

DRAWING NUMBERING LEGEND:

- DRAWING SHEET NUMBERS ARE PREFIXED WITH THE NEW OR EXISTING BUILDING NUMBER. I.E. 17A-101 CONTAINS THE FLOOR PLAN FOR BUILDING 17 - SEE BELOW
- DRAWINGS COMMON TO ALL BUILDINGS DO NOT HAVE A PREFIX, I.E. A-601



BUILDING LEGEND MATRIX

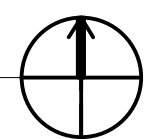
BLDG. NO.	EXISTING BUILDINGS	NEW BUILDINGS	POWER AND DATA INFRASTRUCTURE	INSTRUMENTATION (TARGETS & CAMERAS)	ALTERNATE BID ITEM	REMARKS
1	HOTEL / CITY HALL		0	0		
2	APARTMENT					EXISTING BUILDINGS HAVE EXISTING POWER AND DATA INFRASTRUCTURE, TARGETRY INSTRUMENTATION & CAMERAS
3	HOSPITAL					
4	TOWNHOUSE		0	0		
5.1	TOWNHOUSE RUBBLE					
5.2	TOWNHOUSE RUBBLE					
6	BUSINESS / RESIDENTIAL		0	0		
7	OFFICE		0	0		
8	OFFICE RUBBLE					
9	WAREHOUSE					
10	VEHICLE SERVICE STATION RUBBLE					
11	RETAIL / BANK		0			
12	RESIDENTIAL		0	0		
13.1	RESIDENTIAL RUBBLE					
13.2	RESIDENTIAL RUBBLE					
13.3	RESIDENTIAL RUBBLE					
14	LATRINE					TO BE DEMOLISHED
15	COVERED MESS SHELTER					
16	BUS STATION		0			REFURBISHED - FORMERLY GENERAL INSTRUCTION BUILDING
17		ROC / AAR / LATRINE				
18		OPERATIONS / STORAGE				
19		SCHOOL	0	0		
20		COVERED MESS				
21		CHURCH	0	0		
22.1		BUSINESS	0	0		FLOOR PLAN SIMILAR TO BLDG.22.1
22.2		BUSINESS	0	0		
23		POLICE STAIION	0	0		
24		WAREHOUSE	0	0		
25.1		RESIDENCE	0	0		FLOOR PLAN SIMILAR TO BLDG. 25.1
25.2		RESIDENCE	0	0		
25.3		RESIDENCE	0	0	0	
25.4		RESIDENCE	0	0		
25.5		RESIDENCE	0	0		FLOOR PLAN SIMILAR TO BLDG. 25.4
25.6		RESIDENCE	0	0		FLOOR PLAN SIMILAR TO BLDG. 25.3
25.7		RESIDENCE	0	0	0	FLOOR PLAN SIMILAR TO BLDG. 25.7
26.1		SHANTY BUILDING				NOT IN CONTRACT (N.I.C.) - GFGI
26.2		SHANTY BUILDING				NOT IN CONTRACT (N.I.C.) - GFGI
26.3		SHANTY BUILDING				NOT IN CONTRACT (N.I.C.) - GFGI
26.4		SHANTY BUILDING				NOT IN CONTRACT (N.I.C.) - GFGI
26.5		SHANTY BUILDING				NOT IN CONTRACT (N.I.C.) - GFGI
27		RADIO / TV STATION	0			

SYMBOL LEGEND:

- (XX) EXISTING BUILDING TAG
- (XX) NEW BUILDING TAG
- (XX.X) EXISTING BUILDING TO BE DEMOLISHED TAG
- NEW BUILDING / STRUCTURE
- EXISTING BUILDING / STRUCTURE
- NEW PAVING
- EXISTING PAVING

ARCHITECTURAL SITE PLAN

SCALE: 1" = 80'



SCALE: 1" = 80'

100% BID FINAL SUBMITTAL - OCTOBER 15, 2012
FOR CONSTRUCTION



DATE	DESCRIPTION	MARK
5/14/2013	AMENDMENT 002	APPR.
5/14/2013	AMENDMENT 001	APPR.
		MARK

DESIGNED BY:	DATE: OCTOBER 15, 2012
DRAWN BY: LK	SOLICITATION NO.:
CHKD BY: WBP	CONTRACT NO.:
SUBMITTED BY:	FILE NUMBER:
PLOT SCALE: 1/8" = 1'-0"	FILE NAME:
ANSI D	

DEPARTMENT OF MILITARY AFFAIRS
ST. AUGUSTINE, FL
POND
10199 Sandhill Bldg.
Stark, FL 32086
COAM 8085

FLORIDA ARMY NATIONAL GUARD
COMBINED ARMS COLLECTIVE
TRAINING FACILITY
CAMP BLANDING JOINT TRAINING CENTER,
STARKE, FLORIDA
ARCHITECTURAL SITE PLAN

SHEET IDENTIFICATION
G-061
SHEET 4 OF 258

SPLIT SYSTEM AIR CONDITIONING UNIT SCHEDULE

UNIT NO.	SUPPLY AIR CFM	OUTDOOR AIR CFM	FAN COIL UNIT														AIR COOLED CONDENSING UNIT										MIN. SEER/EER	REMARKS									
			DIRECT EXPANSION COOLING COIL				FAN DATA				ELECTRIC HEATING COIL						SINGLE POINT POWER CONNECTOR				SELECTION BASED ON MANF/ MODEL	UNIT NO.	OAT (°F DB)	CONDENSER FAN		COMPRESSOR			SINGLE POINT POWER CONNECTOR				SELECTION BASED ON MANF/ MODEL				
			TOTAL CAPACITY (MBH)	SENSIBLE CAPACITY (MBH)	EAT (°F) DB	LAT (°F) WB	E.S.P. IN. W.G.	FAN SPEED	FAN MOTOR H.P.	VOLT	PHASE	KW	NO. OF STAGES	EAT (°F DB)	LAT (°F DB)	VOLT	PHASE	MCA	MCOP	VOLT				PHASE	NO.	HP			NO.	NO. OF STAGES	MCA	MCOP		VOLT	PHASE		
AHU-1A	1400	265	43.7	32.6	80	67	55	53	0.6	1000	3/4	230	1	7.68	1	66	90	240	1	48	50	230	1	TRANE GAMS40C48	HP-1A	105	1	1/5	1	1	28	50	230	1	TRANE 4TWB3048	13.0	1-9
AHU-1B	1400	265	43.7	32.6	80	67	55	53	0.6	1000	3/4	230	1	7.68	1	66	90	240	1	48	50	230	1	TRANE GAMS40C48	HP-1B	105	1	1/5	1	1	28	50	230	1	TRANE 4TWB3048	13.0	1-9
AHU-2	1600	215	44.6	33.3	80	67	55	53	0.6	1000	3/4	230	1	7.68	1	66	90	240	1	48	50	230	1	TRANE GAMS40C48	HP-2	105	1	1/5	1	1	28	50	230	1	TRANE 4TWB3048	13.0	1-9
CRAC-1	1200	30	35.3	28.1	72	60	58	55	0.6	-	3/4	230	1	6	1	66	90	230	1	43	45	230	1	DATA AIRE DTAU-03	CU-1	105	1	1	1	1	24	40	230	1	DATA AIRE DRCU-05	-	1-10 (exc. 5)
CRAC-2	800	30	23.4	18.8	72	60	58	55	0.6	-	1/2	230	1	6	1	66	90	230	1	40	45	230	1	DATA AIRE DTAU-02	CU-2	105	1	3/4	1	1	21	30	230	1	DATA AIRE DRCU-03	-	1-10 (exc. 5)

- ① PROVIDE FUSED DISCONNECT FOR FAN COIL UNIT AND CONDENSING UNIT.
- ② FAN COIL UNIT AND CONDENSING UNIT SHALL BE INTERLOCKED.
- ③ REFRIGERANT LINE SIZES SHOWN ARE FOR PRICING ONLY. REFRIGERANT LINES SHALL BE SIZED AND INSTALLED PER UNIT MANUFACTURERS RECOMMENDATIONS. PROVIDE ALL REFRIGERANT VALVING AND ACCESSORIES AS PER UNIT MANUFACTURERS RECOMMENDATIONS.
- ④ MANUFACTURER INSTALLED TXV IN FAN COIL UNIT
- ⑤ PROVIDE HOT GAS REHEAT
- ⑥ FAN COIL UNIT SHALL HAVE STANDARD INDUSTRY SIZE FILTER WITH MINIMUM RATING OF MERV 8. PROVIDE AND INSTALL NEW FILTER IMMEDIATELY PRIOR TO OCCUPATION. PROVIDE SPARE FILTER PER OWNER REQUIREMENT.
- ⑦ LOW AMBIENT COOLING TO 32°F.
- ⑧ SHORT-CYCLE PROTECTION FOR COMPRESSOR.
- ⑨ HAIL GUARD ON CONDENSING UNIT.
- ⑩ PROVIDE ELECTRIC REHEAT & STEAM GENERATOR HUMIDIFIER.
- ⑪ PROVIDE HUMIDISTAT FOR UNIT CONTROL OF SPACE RELATIVE HUMIDITY. HIGH SPACE HUMIDITY SHALL TRIGGER A DEHUMIDIFICATION MODE AND HOT GAS REHEAT IF NECESSARY. DDC SHALL NOT BE REQUIRED FOR THIS CONTROL.

LOUVER SCHEDULE

MARK	SERVICE	SIZE	CFM	PRESSURE DROP (IN. W.G)	FREE AREA VELOCITY (FT/MIN)	FREE AREA SQ/FT	MANUFACTURER/MODEL NOTE: FLANGELESS FRAME	NOTES
LV-1	ROC / AAR	24"X24"	805	.05	450	1.78	GREENHECK ESD-403	1
LV-2	OPERATIONS / STORAGE	24"X16"	500	.05	600	0.83	GREENHECK ESD-403	1
LV-3	ELEC/COMM ROOM - TRNG BLDGS	24"X16"	610	.05	600	1.06	GREENHECK ESD-403	2, 3
LV-4	ELEC/COMM ROOM - TRNG BLDGS	16"X8"	610	.2	-	-	GREENHECK BVE 157	1, 3

NOTES:
 1. PROVIDE INSECT SCREEN. 2. PROVIDE MINIMUM NUMBER 3 MESH SCREEN. 3. MULTIPLE LOCATIONS

LOW LEAKAGE THERMALLY BROKEN DAMPER

MARK	ACTUATOR TYPE
D-1	120 VOLT
D-2	120 VOLT (MULTIPLE LOCATIONS)

1. OPPOSED BLADE DAMPER
 2. FRAME TYPE: FLANGED TO DUCT
 3. ALUMINUM
 4. FAIL POSITION CLOSED
 5. SELECTION BASED ON GREENHECK MODEL ICD-45

FAN SCHEDULE

MARK	TYPE	SERVICE	DRIVE	AIR FLOW CFM	FAN RPM	EXT. S.P. IN. W.G	ELECTRICAL		NOTES	DESIGN BASIS / MODEL
							HP	VOLT/PH/Hz		
EF-1	CABINET / CEILING MOUNTED	MENS TOILET	DIRECT	300	1000	.375	121 WT	120 / 1 / 60	1,2,5	GREENHECK / SP-A410
EF-2	CABINET / CEILING MOUNTED	WOMENS TOILET	DIRECT	150	900	.375	48.2 WT	120 / 1 / 60	1,2,5	GREENHECK / SP-A200
EF-3	ROOF MOUNTED UPBLAST	OPERATION STORAGE BLDG	DIRECT	500	1300	.25	1/25	120 / 1 / 60	2,3,4	GREENHECK / CUE-090-E
EF-4	CABINET / CEILING MOUNTED	JANITORS CLOSET	DIRECT	50	625	.125	1/8	120 / 1 / 60	1,2,5	GREENHECK / SP-B50
EF-1A	CABINET / CEILING MOUNTED	ELEC/COMM - TRNG BLDGS	DIRECT	610	1080	.33	285 WT	120 / 1 / 60	1,2,4, 6	GREENHECK / SP-A710

NOTES:
 1. PROVIDE WITH ALUMINUM GRILLE.
 2. PROVIDE WITH SPEED CONTROL.
 3. PROVIDE WITH MANUFACTURER'S ROOF CURB.
 4. INTERLOCK WITH THERMOSTAT. SET TO 90 DEGREES F (ADJUSTABLE).
 5. INTERLOCK WITH ROOM OCCUPANCY SENSOR. FAN SHALL RUN WHEN ROOM IS OCCUPIED.
 6. MULTIPLE LOCATIONS

UNIT HEATER SCHEDULE

UNIT NO.	SERVICE	DESIGN BASIS MODEL	STYLE	VOLTS	PHASE	CAPACITY KW	CFM	REMARKS
UH-1	MENS TOILET	HF1B5105N	ELECTRIC	240	1	5.0	400	1,2
UH-2	WOMENS TOILET	HF1B5103N	ELECTRIC	240	1	3.3	400	1,2
UH-3	OPERATIONS STORAGE BLDG	HF1B5105N	ELECTRIC	240	1	5.0	400	1,2

NOTES:
 1. PROVIDE UNIT WITH MANUFACTURER'S WALL BRACKET.
 2. PROVIDE LOCKABLE WALL MOUNTED THERMOSTAT.

DIFFUSER AND GRILLE SCHEDULE

TAG	BASIS OF DESIGN	SERVICE	TYPE	MOUNT	NECK SIZE	FACE SIZE	BORDER	FINISH	DAMPER	MAX NC	REMARKS
A	TITUS TDCA	SUPPLY	LOUVERED LAY-IN	CEILING	SEE GUIDELINE	24" X 24"	LAY-IN	WHITE	NO	25	1,2,3
B	TITUS TMSA	SUPPLY	LOUVERED LAY-IN	CEILING	14"Ø	24" X 24"	LAY-IN	WHITE	NO	25	1,2,3,4
C	TITUS 50F	RETURN	EGGCRATE LAY-IN	CEILING	-	24" X 24"	LAY-IN	WHITE	-	25	2,3

- REMARKS:
 1. PROVIDE OPPOSED BLADE DAMPER FOR DIFFUSERS AND GRILLES WHERE BALANCING DEVICES ON BRANCH DUCTS ARE INACCESSIBLE.
 2. PROVIDE MOUNTING HARDWARE/FRAME FOR DIFFUSERS AND GRILLES WHERE LOCATED IN GYPSUM BOARD CEILING OR WALL, COORDINATE FRAME STYLE WITH ARCHITECT.
 3. WHERE COLOR LISTED IN DIFFUSER SCHEDULE CONFLICTS WITH COLOR LISTED IN INTERIOR DESIGN OR ARCHITECTURAL SHEETS, SPECIFICATION FROM INT. DESIGN OR ARCH. SHALL TAKE PRECEDENCE.
 4. VERTICAL DISCHARGE.

SIZING GUIDELINES

CEILING SUPPLY DIFFUSERS		CEILING RETURN/EXHAUST GRILLES			
NECK SIZE (IN)	AIR FLOW (CFM)	NECK SIZE (IN)	AIR FLOW (CFM)	NECK SIZE (IN)	AIR FLOW (CFM)
06	0-120	6X6	0-90	18X18	801-940
08	121-220	8X8	91-180	20X20	941-1160
10	221-320	10X10	181-290	22X22	1161-1420
12	321-430	12X12	291-440		
14	431-560	14X14	441-600		
16	561-740	16X16	601-800		



ADDENDUM NO. 2	05/14/13	DATE	APPR.
		DESCRIPTION	MARK
		DATE	APPR.
		DESCRIPTION	MARK

DESIGNED BY:	DATE: OCTOBER 15, 2012
DRAWN BY: AUC	SOLICITATION NO.:
CHECKED BY: BPC	CONTRACT NO.:
SUBMITTED BY:	FILE NUMBER:
PLOT SCALE: 1/8" = 1'-0"	PLOT DATE: 11/13/2011
SIZE: ANSI D	FILE NAME:

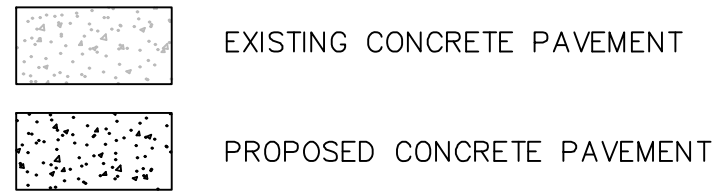
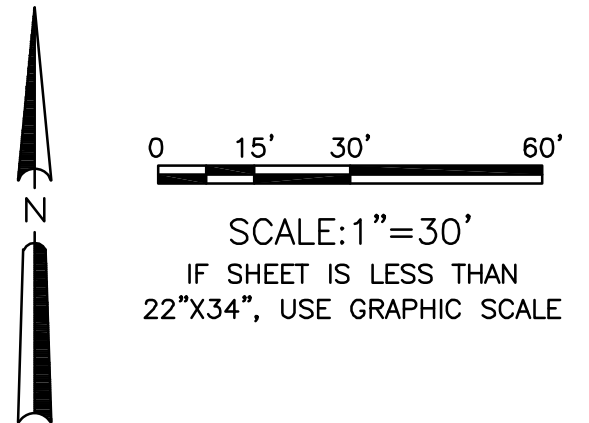
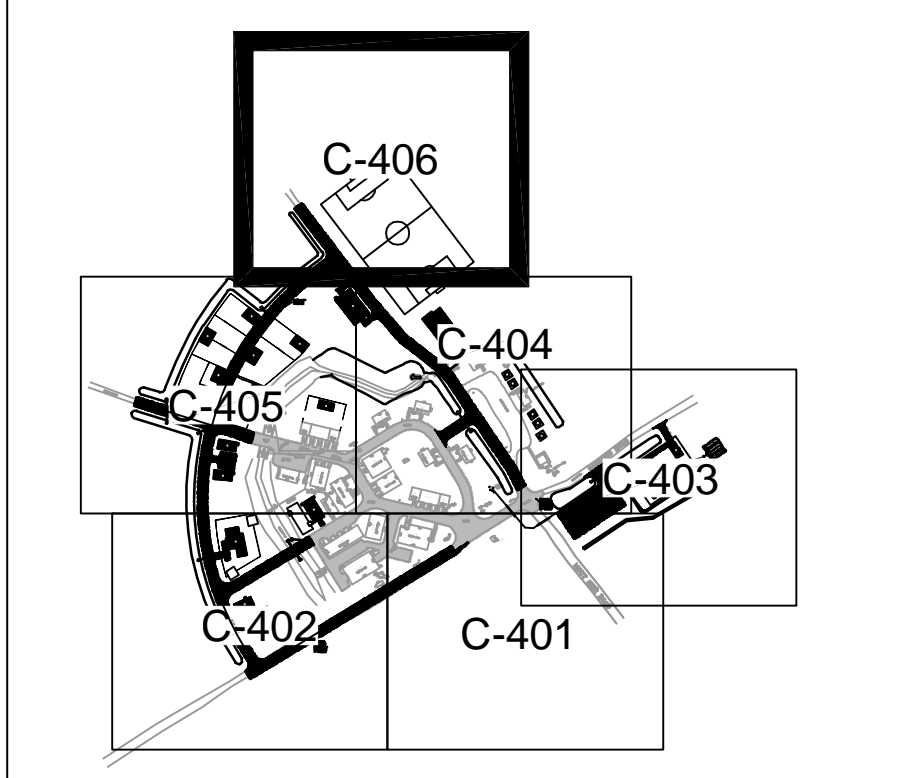
DEPARTMENT OF MILITARY AFFAIRS
 ST. AUGUSTINE, FL
POND
 10100 Sandhill Blvd.
 St. Augustine, FL 32086
 Phone: (904) 542-0400
 Fax: (904) 542-0200
 Email: pmd@fldmilitary.com
 COAF B085

FLORIDA ARMY NATIONAL GUARD
 COMBINED ARMS COLLECTIVE
 TRAINING FACILITY
 CAMP BLANDING JOINT TRAINING CENTER,
 STARKE, FLORIDA
 MECHANICAL SCHEDULES

SHEET IDENTIFICATION
M-601
 SHEET 190 OF 258

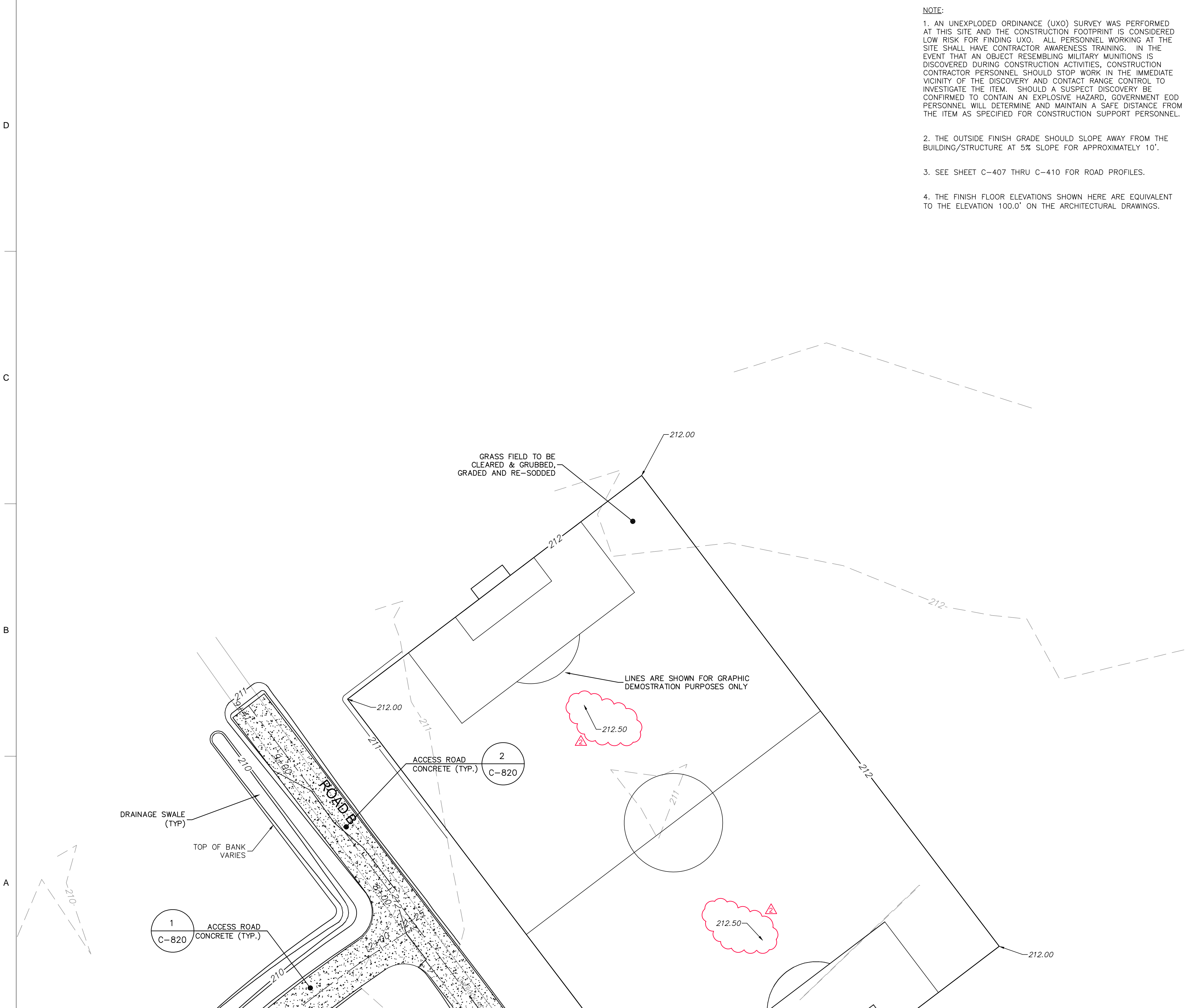
NOTE:

1. AN UNEXPLODED ORDINANCE (UXO) SURVEY WAS PERFORMED AT THIS SITE AND THE CONSTRUCTION FOOTPRINT IS CONSIDERED LOW RISK FOR FINDING UXO. ALL PERSONNEL WORKING AT THE SITE SHALL HAVE CONTRACTOR AWARENESS TRAINING. IN THE EVENT THAT AN OBJECT RESEMBLING MILITARY MUNITIONS IS DISCOVERED DURING CONSTRUCTION ACTIVITIES, CONSTRUCTION CONTRACTOR PERSONNEL SHOULD STOP WORK IN THE IMMEDIATE VICINITY OF THE DISCOVERY AND CONTACT RANGE CONTROL TO INVESTIGATE THE ITEM. SHOULD A SUSPECT DISCOVERY BE CONFIRMED TO CONTAIN AN EXPLOSIVE HAZARD, GOVERNMENT EOD PERSONNEL WILL DETERMINE AND MAINTAIN A SAFE DISTANCE FROM THE ITEM AS SPECIFIED FOR CONSTRUCTION SUPPORT PERSONNEL.
2. THE OUTSIDE FINISH GRADE SHOULD SLOPE AWAY FROM THE BUILDING/STRUCTURE AT 5% SLOPE FOR APPROXIMATELY 10'.
3. SEE SHEET C-407 THRU C-410 FOR ROAD PROFILES.
4. THE FINISH FLOOR ELEVATIONS SHOWN HERE ARE EQUIVALENT TO THE ELEVATION 100.0' ON THE ARCHITECTURAL DRAWINGS.



NEW BUILDING LEGEND

(17)	ROC/AAR/LATRINE BUILDING
(18)	OPERATIONS/STORAGE BUILDING
(19)	SCHOOL
(20)	COVERED MESS
(21)	CHURCH
(22.1)	BUSINESS
(22.2)	BUSINESS
(23)	POLICE STATION
(24)	WAREHOUSE
(25.1)	RESIDENCE
(25.2)	RESIDENCE
(25.3)	RESIDENCE
(25.4)	RESIDENCE
(25.5)	RESIDENCE
(25.6)	RESIDENCE
(25.7)	RESIDENCE
(25.8)	RESIDENCE
(26.1)	SHANTY BUILDING (BY OTHERS)
(26.2)	SHANTY BUILDING (BY OTHERS)
(26.3)	SHANTY BUILDING (BY OTHERS)
(26.4)	SHANTY BUILDING (BY OTHERS)
(26.5)	SHANTY BUILDING (BY OTHERS)
(27)	RADIO/TV STATION



DATE	DESCRIPTION	APPR.	MARK
5/14/2013	ADDENDUM #2		

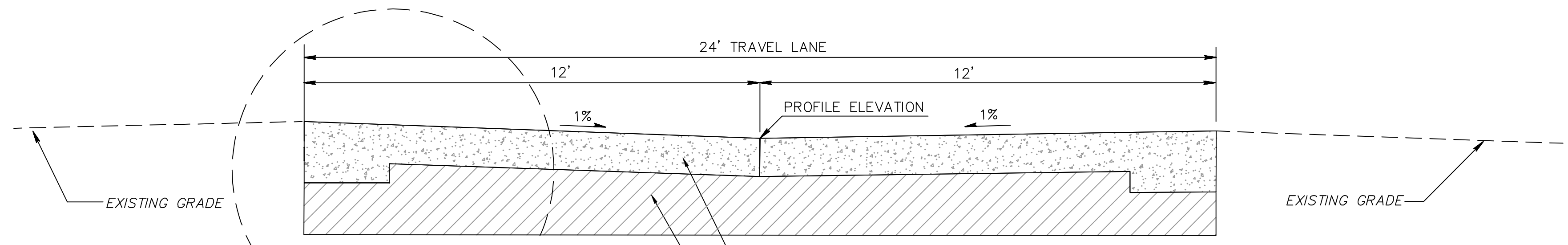
DESIGNED BY:	DATE:	10/15/12
DWN BY:	CRG BY:	RS
SUBMITTED BY:	WATER RESOURCE	FILE NUMBER:
PLOT SCALE:	1" = 30'	FILE NAME:
ANSI D	C-400.dwg	

DEPARTMENT OF MILITARY AFFAIRS
 ST. AUGUSTINE, FL
 WATER RESOURCE ASSOCIATES, INC.
 PH: 813-262-3130
 FAX: 813-262-6610
 WWW.WATERRESOURCEASSOCIATES.COM

FLORIDA ARMY NATIONAL GUARD
 COMBINED ARMS COLLECTIVE
 TRAINING FACILITY
 CAMP BLANDING JOINT TRAINING CENTER,
 JACKSONVILLE, FLORIDA
 GRADING PLAN

100% BID FINAL SUBMITTAL - OCTOBER 15, 2012
 FOR CONSTRUCTION

SHEET IDENTIFICATION
C-406
 SHEET 19 OF 258

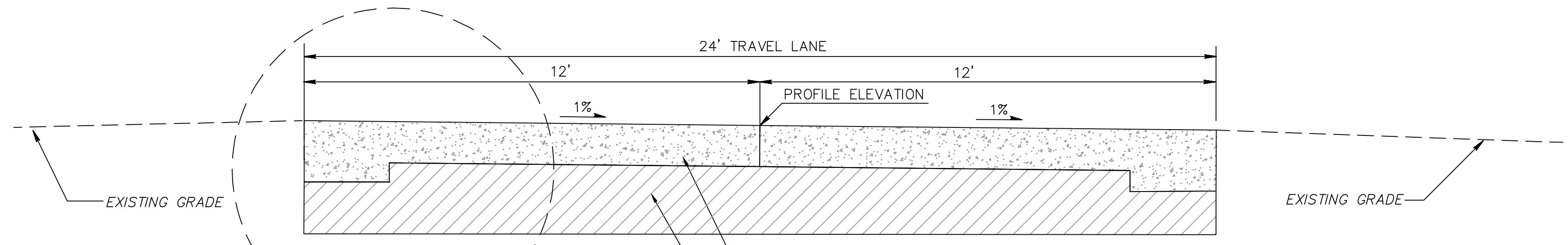


3
C-820

PAVEMENT DETAIL

TYPICAL ACCESS ROAD
SECTION
SCALE: N.T.S.

1

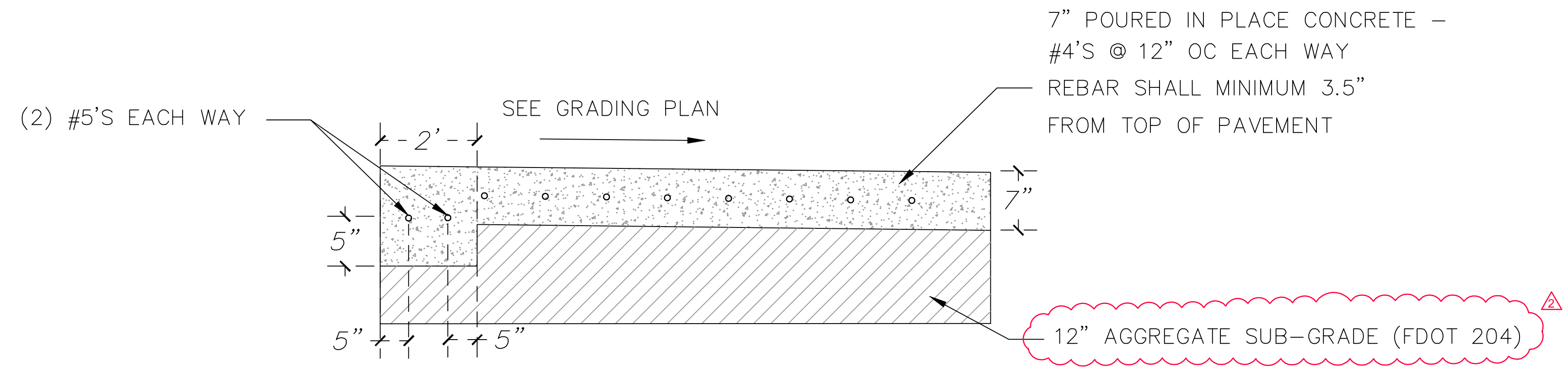


3
C-820

PAVEMENT DETAIL

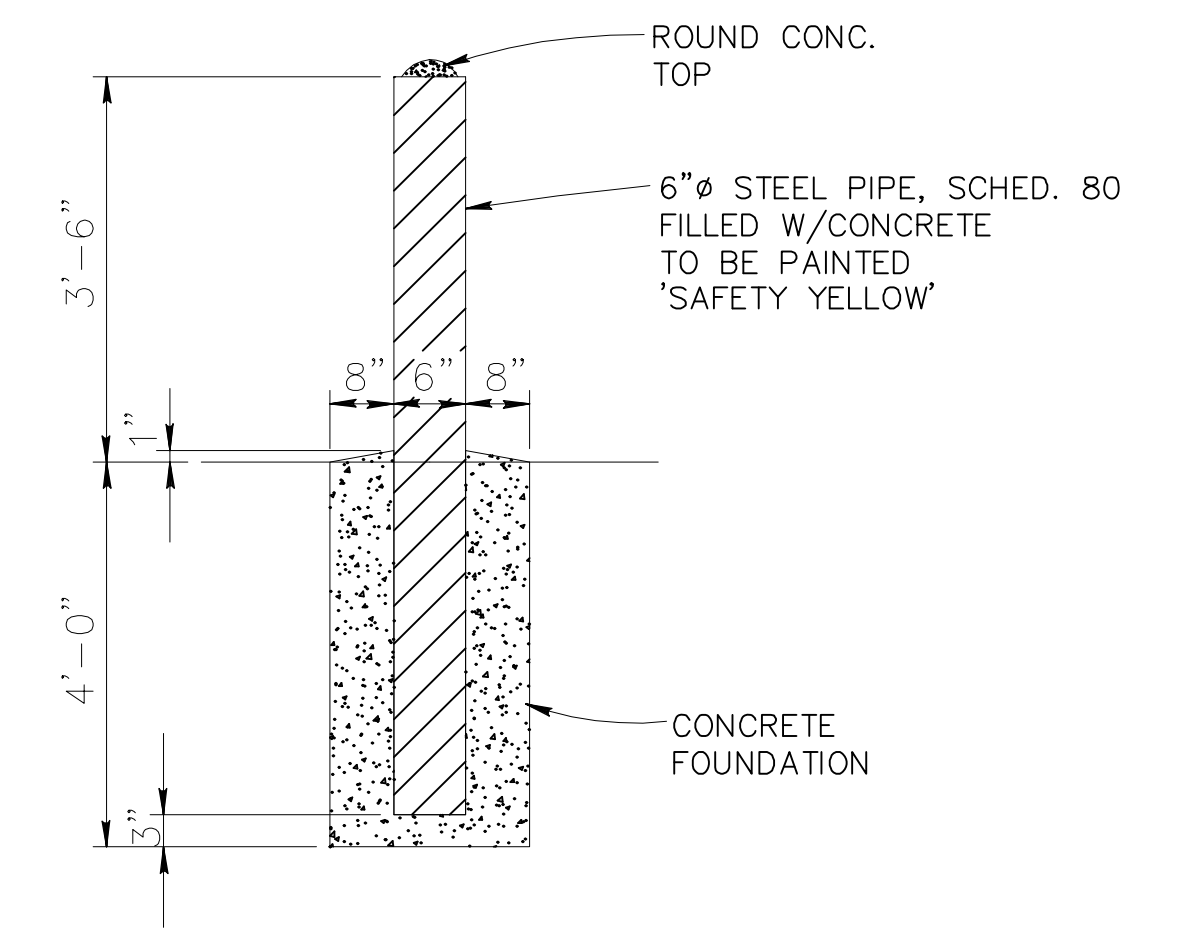
TYPICAL ACCESS ROAD
SECTION
SCALE: N.T.S.

2



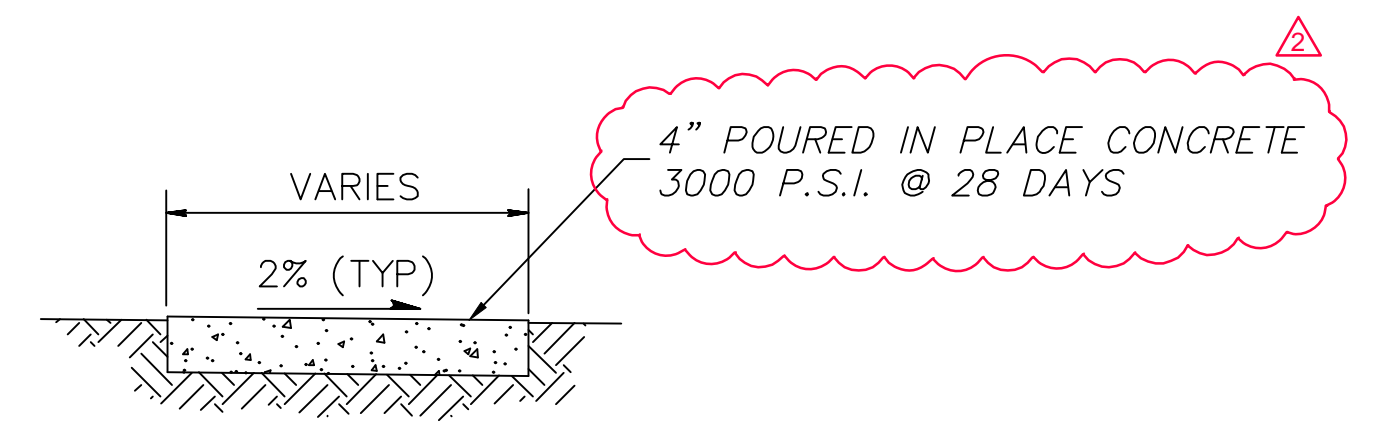
PAVEMENT DETAIL
DETAIL
SCALE: N.T.S.

3



BOLLARD DETAIL
DETAIL
SCALE: N.T.S.

4



SIDEWALK DETAIL
DETAIL
SCALE: N.T.S.

5



DATE	DESCRIPTION	APPR.	MARK
5/14/2013	ADDENDUM #2		

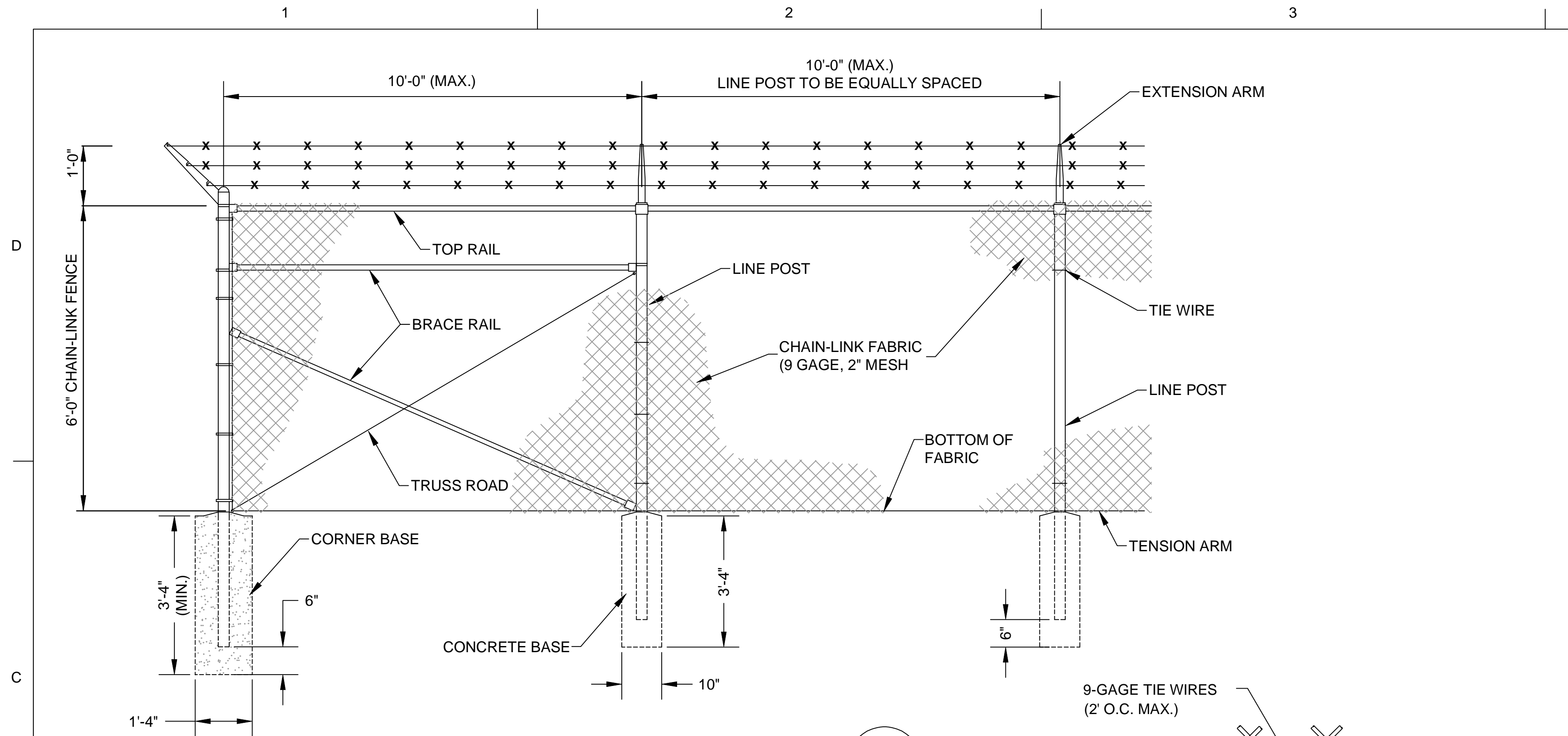
DESIGNED BY:	DATE:	10/15/12
CHKD BY:	SUBMITTED BY:	WATER RESOURCE
DRAWN BY:	APPROVED BY:	WATER RESOURCE
PROJECT NO.:	CONTRACT NO.:	
FILE NAME:	FILE NUMBER:	
ANSI ID:	ANSI D:	C-820 Access Rd Parking.dwg

DEPARTMENT OF
MILITARY AFFAIRS
ST. AUGUSTINE, FL
WATER RESOURCE ASSOCIATES, INC.
10000 BAYVIEW BLVD., SUITE 100
ST. AUGUSTINE, FL 32080
PH: 813-266-3130
WWW.WATERRESOURCEASSOCIATES.COM

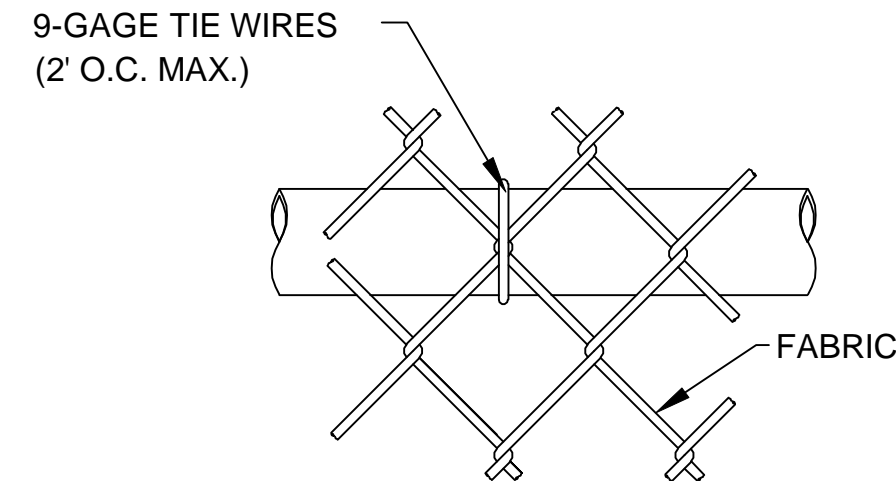
FLORIDA ARMY NATIONAL GUARD
COMBINED ARMS COLLECTIVE
TRAINING FACILITY
CAMP BLANDING JOINT TRAINING CENTER,
JACKSONVILLE, FLORIDA
ACCESS ROAD AND
PARKING DETAILS

100% BID FINAL SUBMITTAL - OCTOBER 15, 2012
FOR CONSTRUCTION

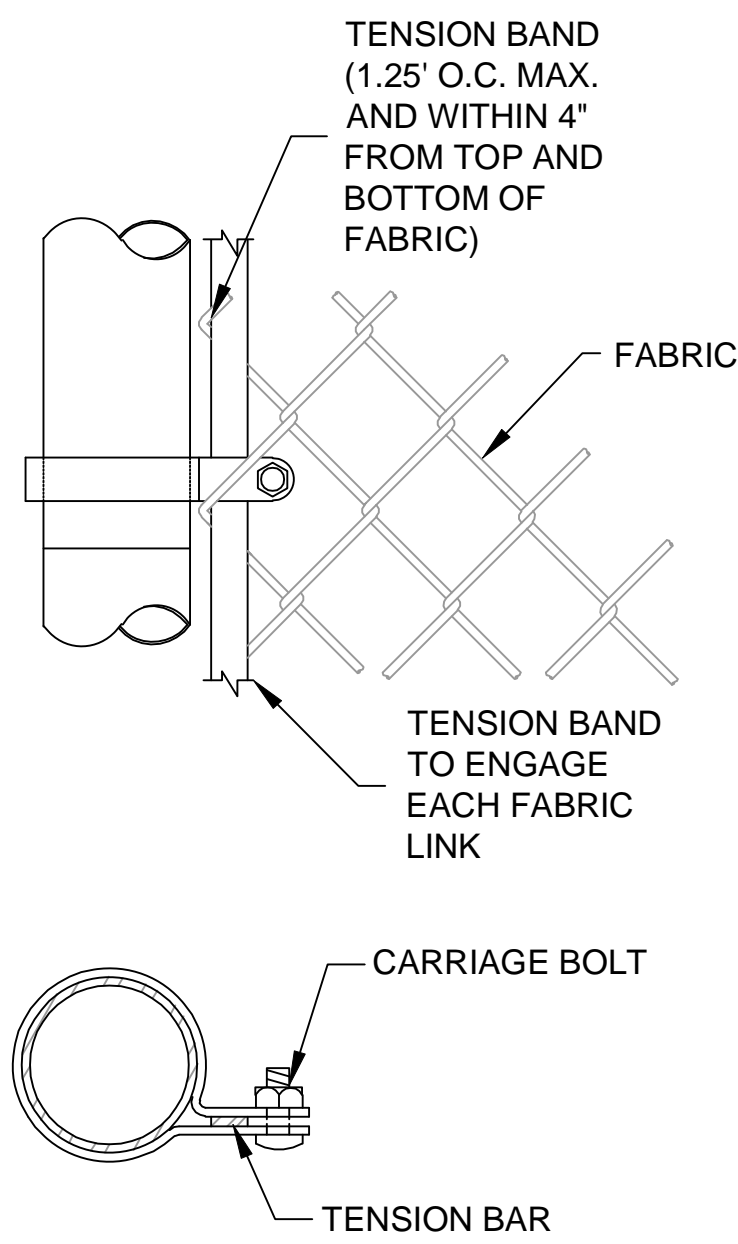
SHEET IDENTIFICATION
C-820
SHEET 25 OF 258



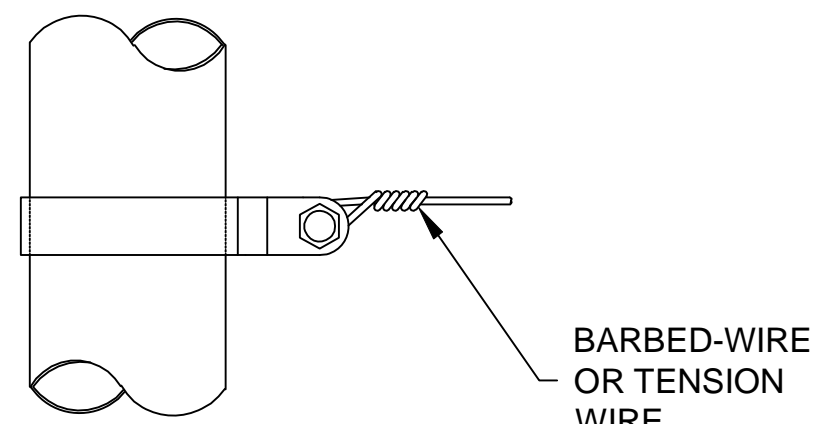
CHAIN-LINK SECURITY FENCE
DETAIL
SCALE: N.T.S.



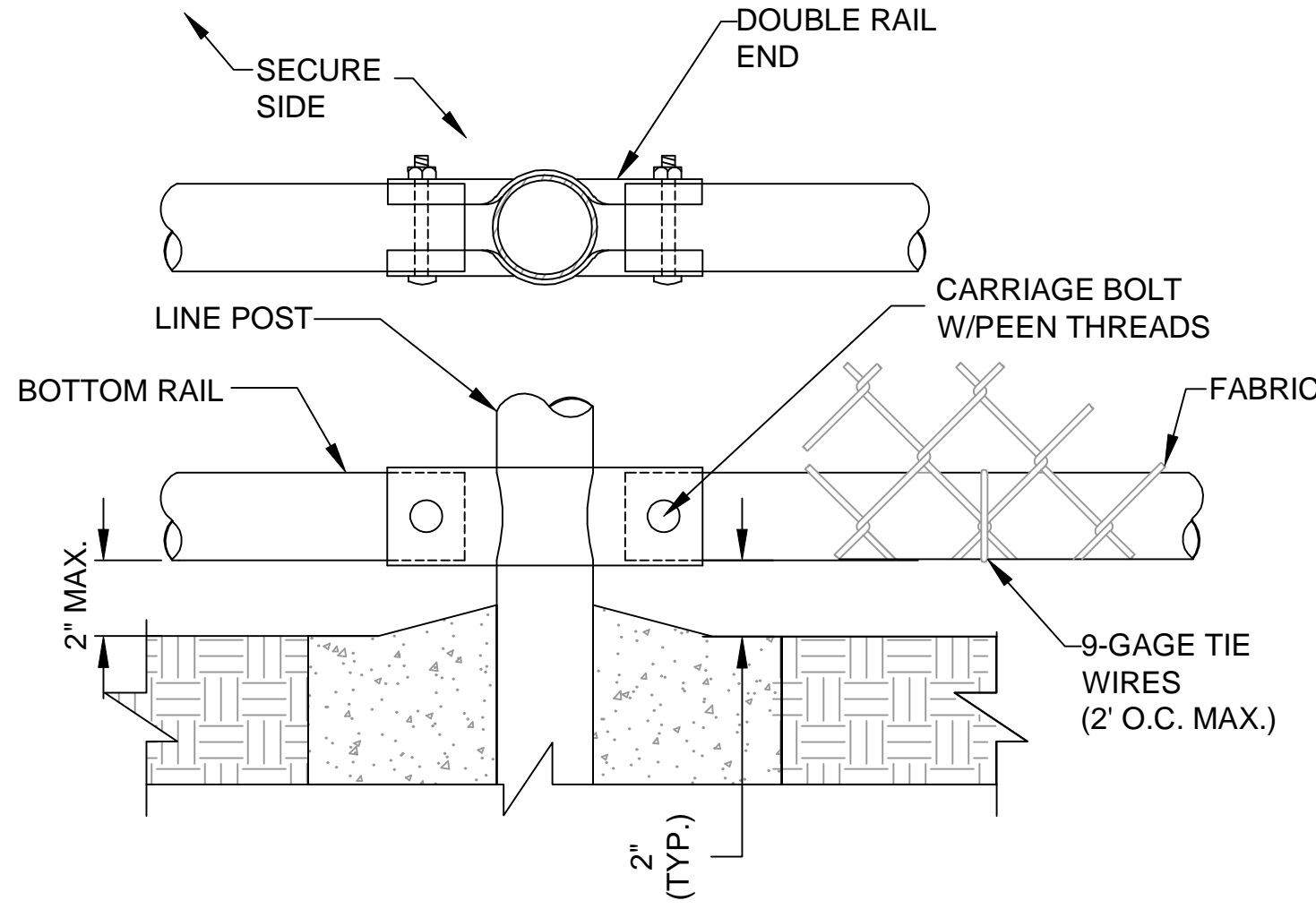
BRACE RAIL ATTACHMENT
DETAIL
SCALE: N.T.S.



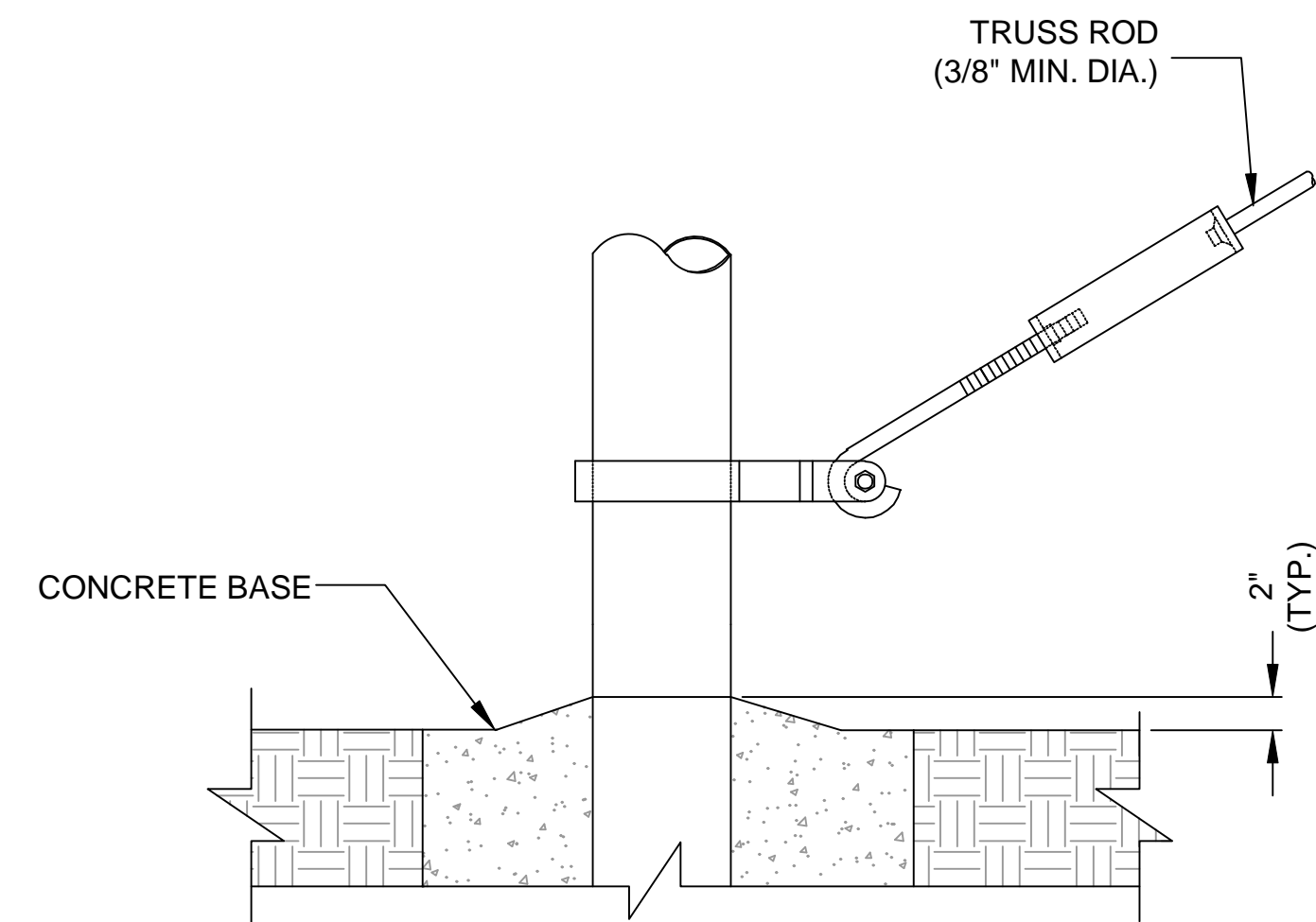
END OR GATE POST
DETAIL
SCALE: N.T.S.



TENSION BAND
DETAIL
SCALE: N.T.S.



BOTTOM RAIL
DETAIL
SCALE: N.T.S.



TRUSS ROAD AND BAND
DETAIL
SCALE: N.T.S.

USE AND SECTION	STEEL POST SCHEDULE	
	MINIMUM OUTSIDE DIMENSIONS (NOMINAL)	
	FABRIC LESS THAN 6'-0"	FABRIC 6'-0" TO 8'-0"
Corner, End & Pull Posts		
Tubular - Round	2-3/8" O.D.	2-7/8" O.D.
Tubular - Square	2" SQ.	2-1/2" SQ.
C-Section (Roll-Formed)	3-1/2" x 3-1/2"	
Line Posts		
Tubular - Round	1-7/8" O.D.	2-3/8" O.D.
H-Section	2-1/4" x 1-11/16"	2-1/4" x 1-11/16"
C-Section (Roll-Formed)	1-7/8" x 1-5/8"	
Top, Bottom & Brace Rails		
Tubular - Round	1-11/16" O.D.	
Tubular - Square	1-1/2" O.D.	
H-Section	1-5/8" x 1-1/2"	
C-Section (Roll-Formed)	1-5/8" x 1-1/4"	

NOTES:

1. DETAILS SHOWN ARE TO CLARIFY REQUIREMENTS AND ARE NOT INTENDED TO LIMIT OTHER TYPES OF FENCE SECTIONS AND METHODS OF INSTALLATION.
2. WIRE TIES, RAILS, POST, AND BRACES SHALL BE CONSTRUCTED ON THE SECURE SIDE OF THE FENCE ALIGNMENT. CHAIN-LINK FABRIC SHALL BE PLACED ON THE OPPOSITE SIDE OF THE SECURE AREA.
3. UNLESS SPECIFICALLY SHOWN OF SPECIFIED, ALL FE6 FENCE SHALL HAVE AN APRON EXTENDED OUTWARD FROM THE AREA BEING PROTECTED.
4. C-SECTION POST SHALL BE INSTALLED SO THAT THE VOID INSIDE THE POST IS COMPLETELY FILLED WITH CONCRETE UP TO THE TOP OF THE FOUNDATION.



DATE	DESCRIPTION	MARK
5/14/2013	ADDENDUM #2	

DESIGNED BY: CRC	DATE: 10/15/12	SOLICITATION NO.:
DWN BY: RGS	CONTRACT NO.:	
ISSUED BY: WATER RESOURCE	PLOT DATE: 5/14/2013	FILE NUMBER:
PLOT SCALE: N.T.S.	SIZE: A	FILE NAME: C-870 Fence & Details.dwg

DEPARTMENT OF MILITARY AFFAIRS
ST. AUGUSTINE, FL
WATER RESOURCE ASSOCIATES, INC.
1000 W. UNIVERSITY BLVD., SUITE 100
JACKSONVILLE, FL 32216
PH: 904.255.6680
WWW.WRAINC.COM
CA 0000765

FLORIDA ARMY NATIONAL GUARD
COMBINED ARMS COLLECTIVE
TRAINING FACILITY
CAMP BLANDING JOINT TRAINING CENTER,
JACKSONVILLE, FLORIDA
FENCE AND DETAILS
(TYPE FE-6)

100% BID FINAL SUBMITTAL - OCTOBER 15, 2012
FOR CONSTRUCTION

SHEET IDENTIFICATION
C-870
SHEET OF 258

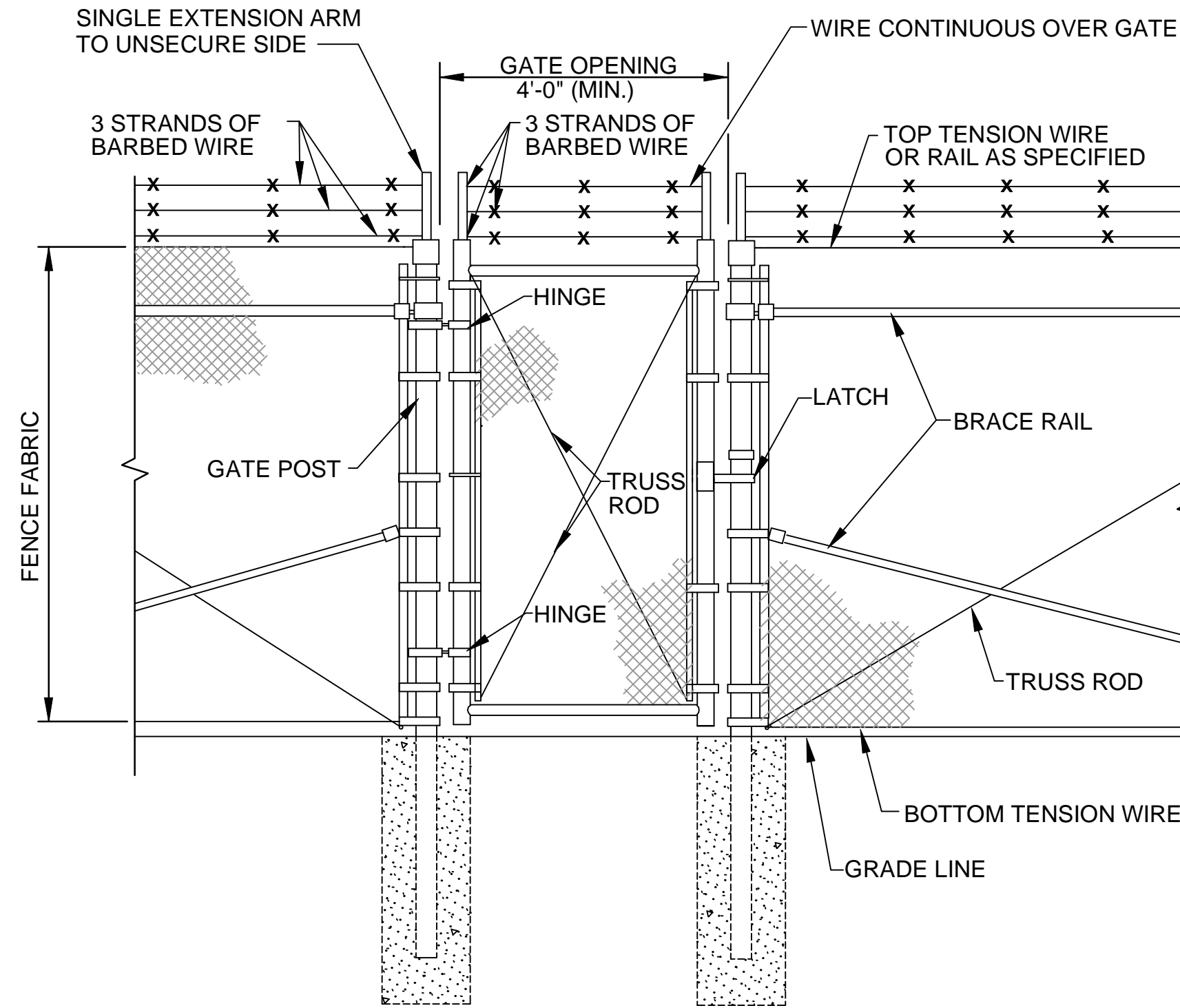
1

2

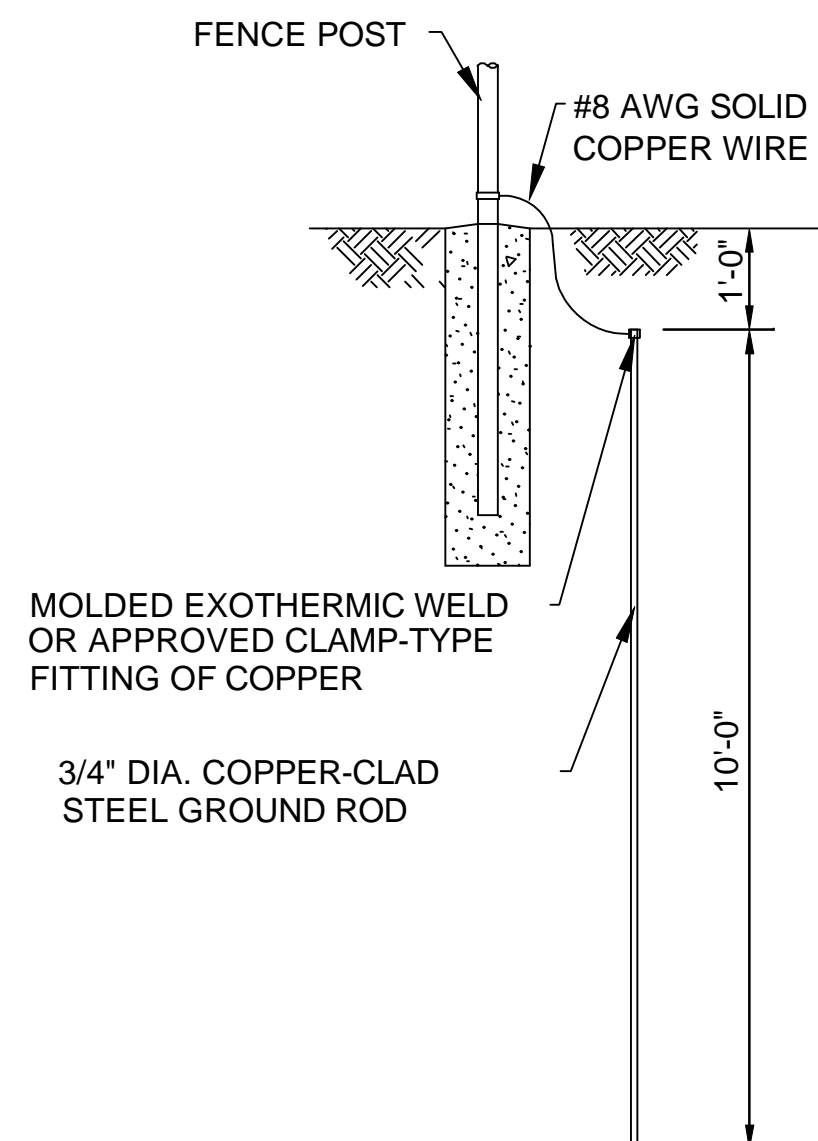
3

4

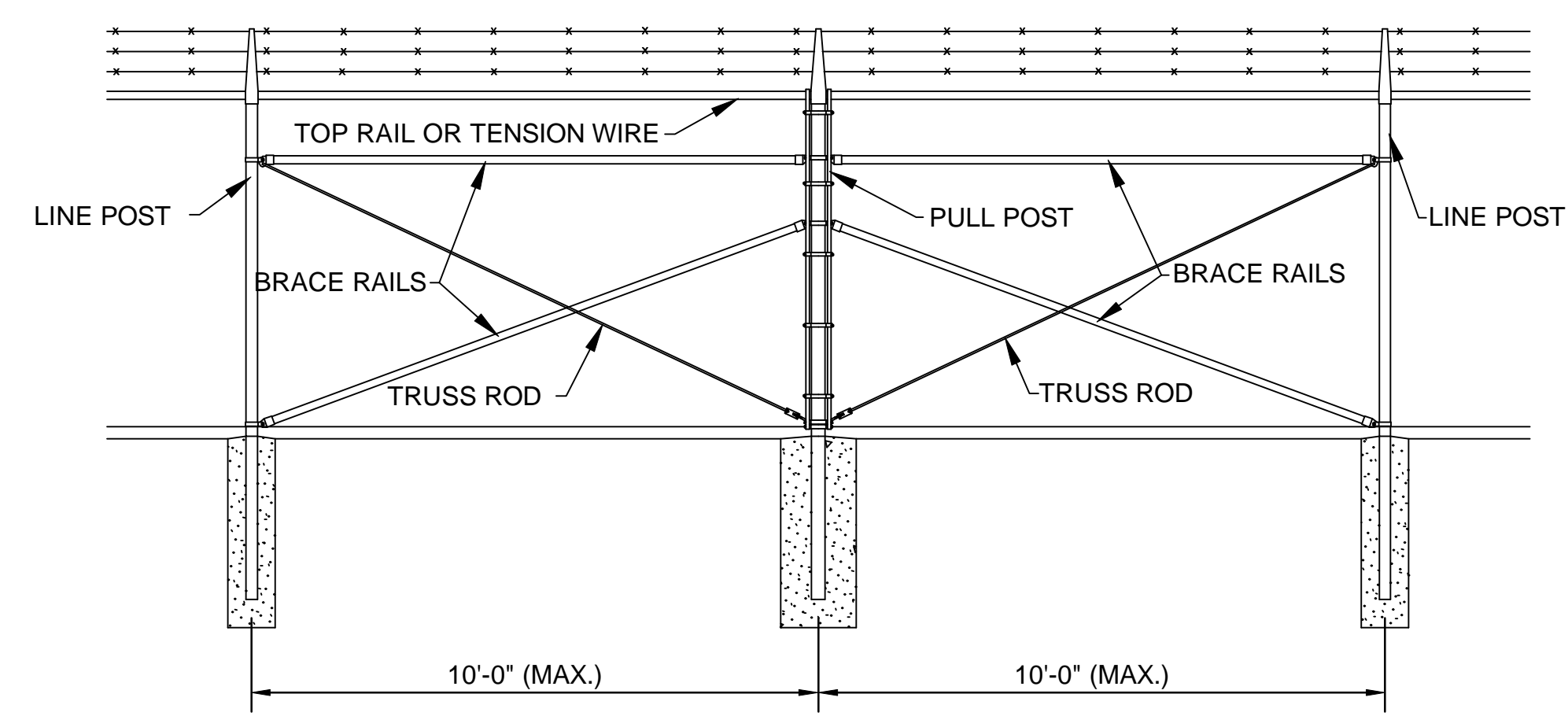
5



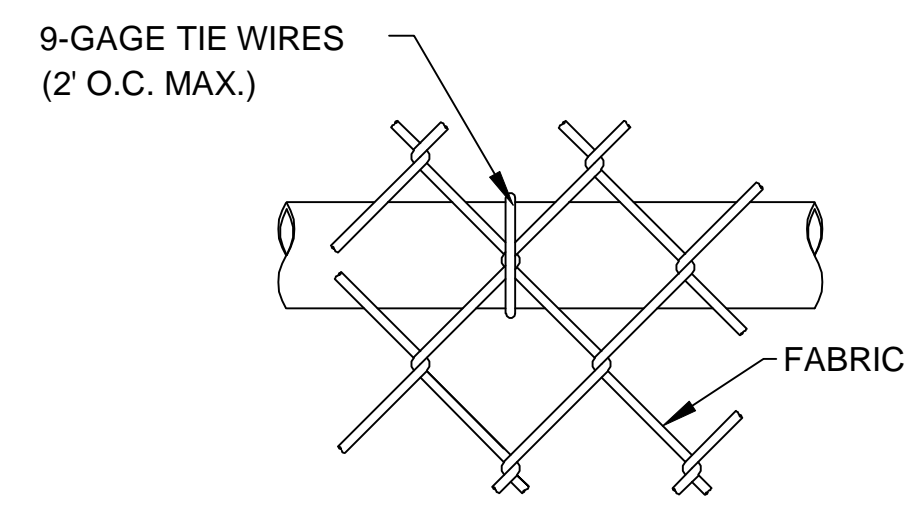
PERSONNEL GATE
DETAIL
SCALE: N.T.S.



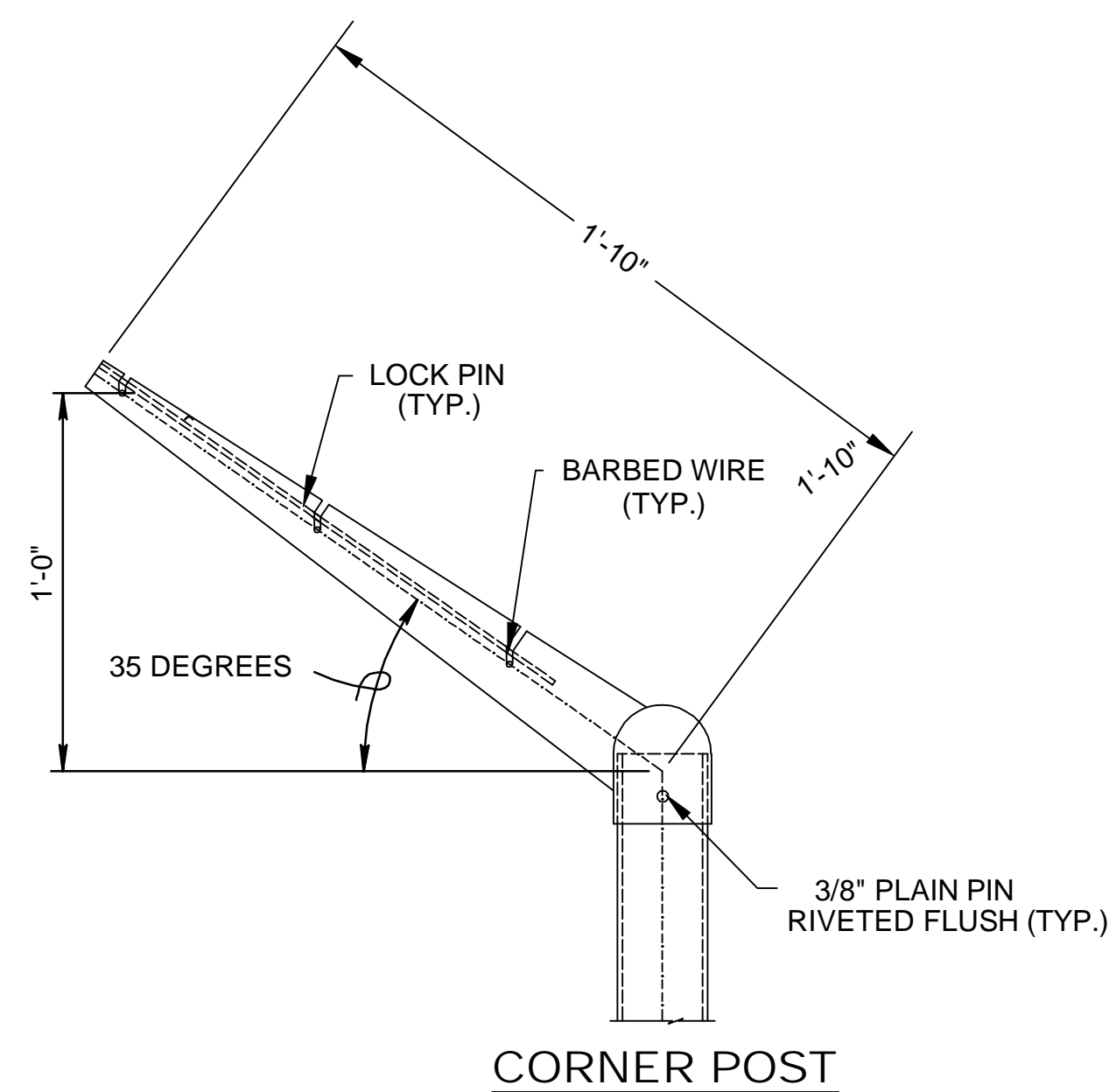
GROUNDING
DETAIL
SCALE: N.T.S.



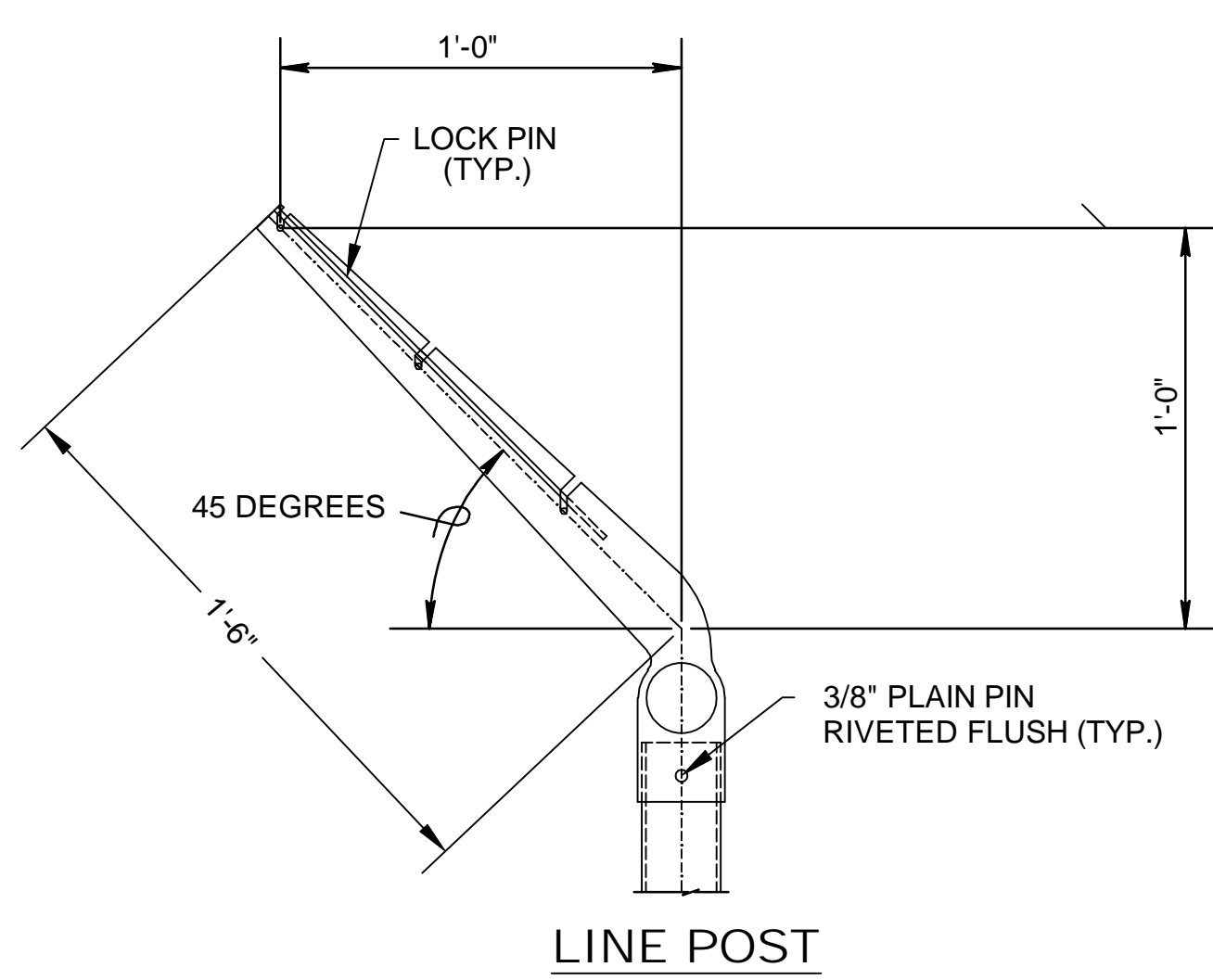
BRACE PANEL
DETAIL
SCALE: N.T.S.



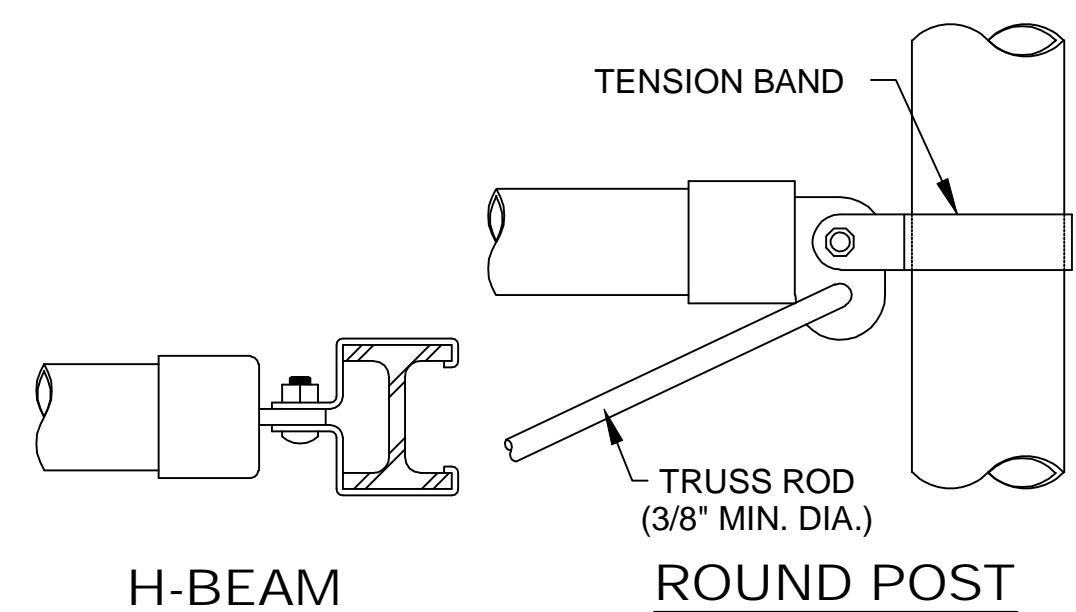
BRACE RAIL ATTACHMENT
DETAIL
SCALE: N.T.S.



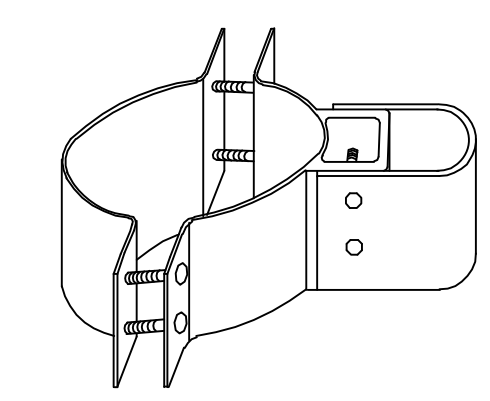
EXTENSION ARM CORNER
DETAIL
SCALE: N.T.S.



EXTENSION ARM LINE POST
DETAIL
SCALE: N.T.S.



BRACE RAIL CLAMP
DETAIL
SCALE: N.T.S.



STANDARD HINGE
DETAIL
SCALE: N.T.S.



MARK	DESCRIPTION	DATE	APPR.
ADDENDUM #2		5/14/2013	

DESIGNED BY:	DATE:	10/15/12
DWN BY:	SOLICITATION NO.:	
VG	CONTRACT NO.:	
CRG	FILE NUMBER:	
RG	FILE:	07/26/13
VG	FILE:	C871 Gate & Details.dwg
RG	ANSI D:	
VG	SCALE:	N.T.S.

DEPARTMENT OF
MILITARY AFFAIRS
ST. AUGUSTINE, FL
WATER RESOURCE ASSOCIATES, INC.
425 W. LINCOLNWAY AVE. TAMPA, FL 33604
WWW.WRASSOCIATES.COM
FAX 813-282-8610

FLORIDA ARMY NATIONAL GUARD
COMBINED ARMS COLLECTIVE
TRAINING FACILITY
CAMP BLANDING JOINT TRAINING CENTER,
JACKSONVILLE, FLORIDA
GATE AND DETAILS

SHEET IDENTIFICATION
C-871
SHEET OF 258

100% BID FINAL SUBMITTAL - OCTOBER 15, 2012
FOR CONSTRUCTION

May 14, 2013 - 2:32pm S:\PROJECT FILES\6025 - Camp Blanding CACTF\CAD\Details\C871 Gate & Details.dwg

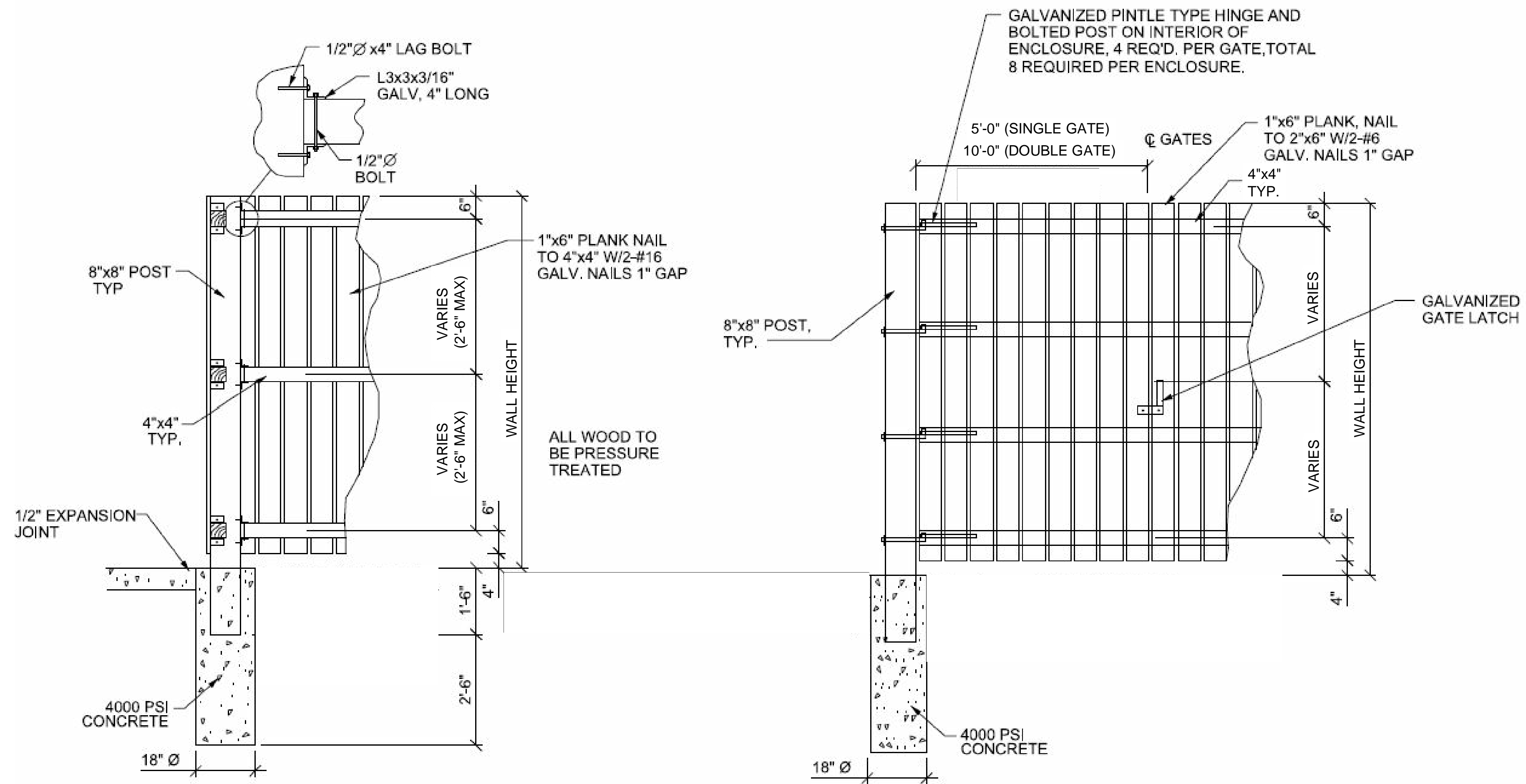
1

2

3

4

5



WOOD SWING GATE
 DETAIL
 SCALE: N.T.S.



DATE	DESCRIPTION	APPR.	MARK
5/14/2013	ADDENDUM #2		

DESIGNED BY: CRC	DATE: 10/15/12	SOLICITATION NO.:
DWN BY: VG	OK'D BY: RGS	CONTRACT NO.:
SUBMITTED BY: WATER RESOURCE	PLOT DATE: 07/26/13	FILE NUMBER:
SIZE: ANSI D	FILE: C-872 Wood Swing Gate Details.dwg	

DEPARTMENT OF
 MILITARY AFFAIRS
 ST. AUGUSTINE, FL
 WATER RESOURCE ASSOCIATES, INC.
 425 W. LINDBERGH AVE, TAMPA, FL 33604
 WWW.WATERRESOURCE.COM
 813.252.6670

FLORIDA ARMY NATIONAL GUARD
 COMBINED ARMS COLLECTIVE
 TRAINING FACILITY
 CAMP BLANDING JOINT TRAINING CENTER,
 JACKSONVILLE, FLORIDA
 WOOD SWING GATE
 DETAILS

100% BID FINAL SUBMITTAL - OCTOBER 15, 2012
 FOR CONSTRUCTION

SHEET IDENTIFICATION
C-872
 SHEET OF 258